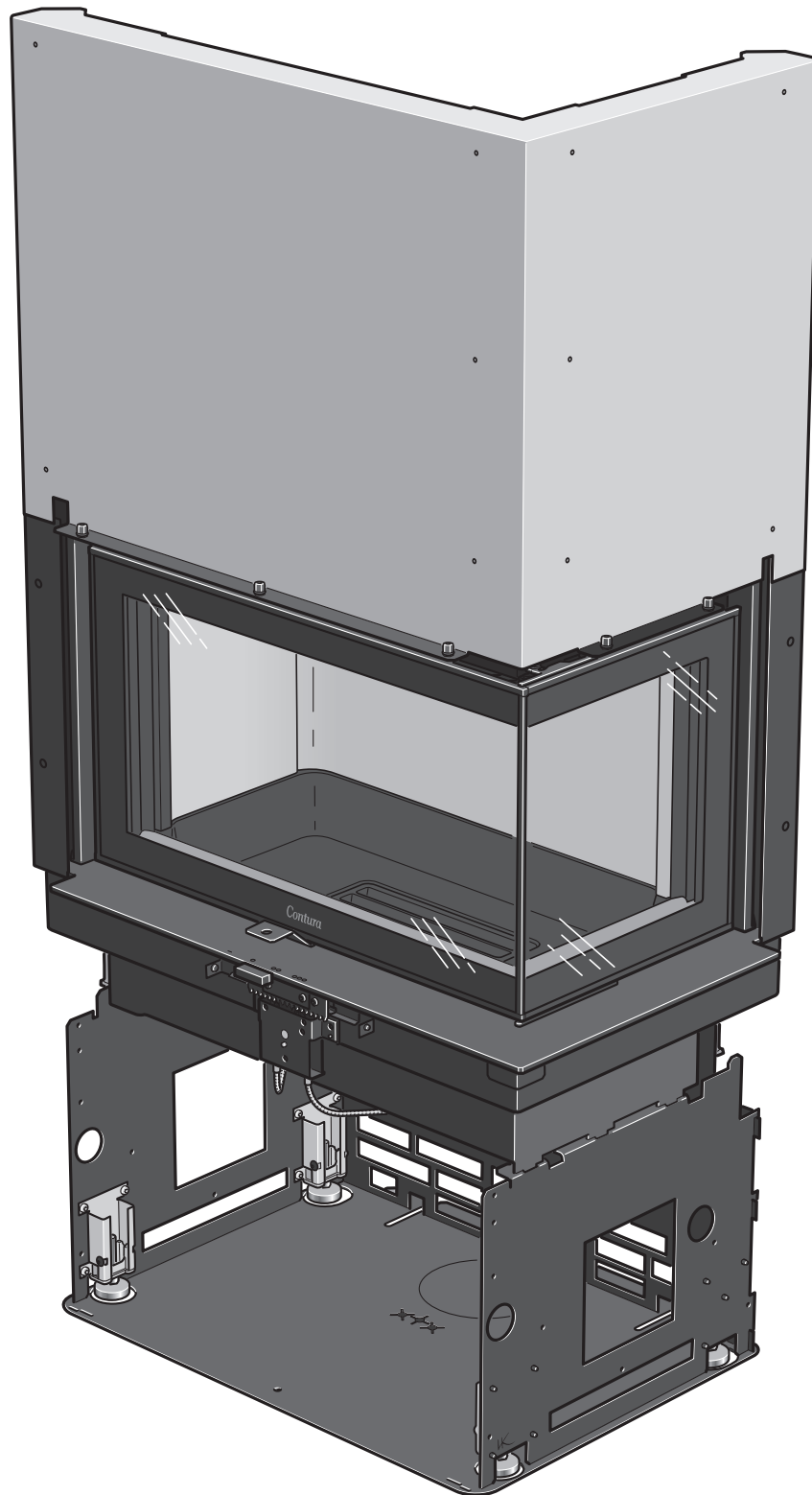


Contura

i40



SE

Fakta	3
Inbyggnadsexempel	7
Prestandadeklaration	9
EU-försäkran om överenskommelse	10
Montering	75

DE

Fakten	11
Installationsbeispiele	15
Leistungsdeklaration	17
EU-Konformitätserklärung	18
Montage	75

NO

Fakta	19
Innbyggingseksempel	23
Ytelseserklæring	25
EU-samsvarserklæring	26
Montering	75

FR

Données Techniques	27
Exemple d'encastrement	31
Déclaration des performance	33
Déclaration de conformité UE	34
Montage	75

GB

Facts	35
Recess example	39
Declaration of performance	41
EU Declaration of Conformity	42
Assembly	75

DK

Fakta	43
Indbygningseksempel	47
Præstationserklæring	49
EU-overensstemmelseerklæring	50
Montering	75

FI

Tiedot	51
Esimerkki	55
Suoritustasoilmoitus	57
EU-vaatimustenmukaisuusvakuutus	58
Asennus	75

IT

Dati Tecnici	59
Esempi di rivestimento	63
Dichiarazione di prestazione	65
Dichiarazione di Conformità UE	66
Montaggio	75

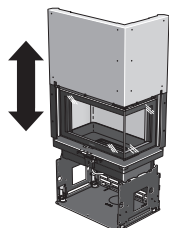
NL

Gegevens	67
Inbouwvoorbeeld	71
Prestatieverklaring	73
EU-conformiteitsverklaring	74
Monteren	75

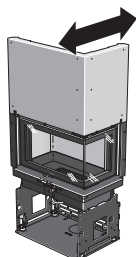
Facts



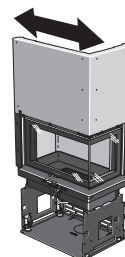
5-10 kW



1425 mm



500 mm



740 mm



160 kg

Nominal effect	7,0 kW
Efficiency	81 %
Flue gas mass flow	6,0 g/s

Type approved in accordance with:

European standard EN-13240
NS 3059 (Norway)
BImSchV.2 (Germany)
Art. 15a B-VG (Austria)
Clean Air Act. (UK)



THE INSERT BECOMES VERY HOT

Parts of the insert become very hot when it is in use and can cause burns if touched. You should also be careful of the heat that transfers through the door glass. Combustible materials must be kept at the stated safe distance to prevent the risk of fire. A smouldering fire emits gases that can suddenly ignite and cause material damage and personal injury.

Installation by a licensed professional

This manual contains instructions on how to assemble and install the insert. We recommend the insert be installed by a qualified tradesperson to ensure it functions safely and properly. Contact one of our dealers who can recommend professional installers.

Planning permission

You must apply for planning permission from your local authority before installing a stove or erecting a chimney. We recommend you contact your local authority for advice and information on planning permission.

Structural support

If the firebox is to be positioned on a wooden joist, a structural engineer should evaluate the load capacity of the floor. When the gross weight exceeds 400 kg, reinforcement of the wooden joists is usually necessary.

Hearth plate

Due to the risk of falling embers, a flammable floor must be protected by a hearth plate. It must extend 300 mm in front of the stove and 100 mm on each side of the stove, or have a 200 mm extension on each side of the opening. The hearth plate can consist of natural stone, concrete, metal plate or glass. A glass hearth plate is available as an accessory for these models.

Final inspection of the installation

When it has been installed, the insert must be inspected by a licensed chimney sweep before it can be used. You should also read the "Lighting instructions" before lighting the stove for the first time.

Walls behind

If your Contura i40 is to be installed against a combustible wall, the wall must be protected by a firewall.

The following material requirements are made of the firewall:

The building material must not be combustible.

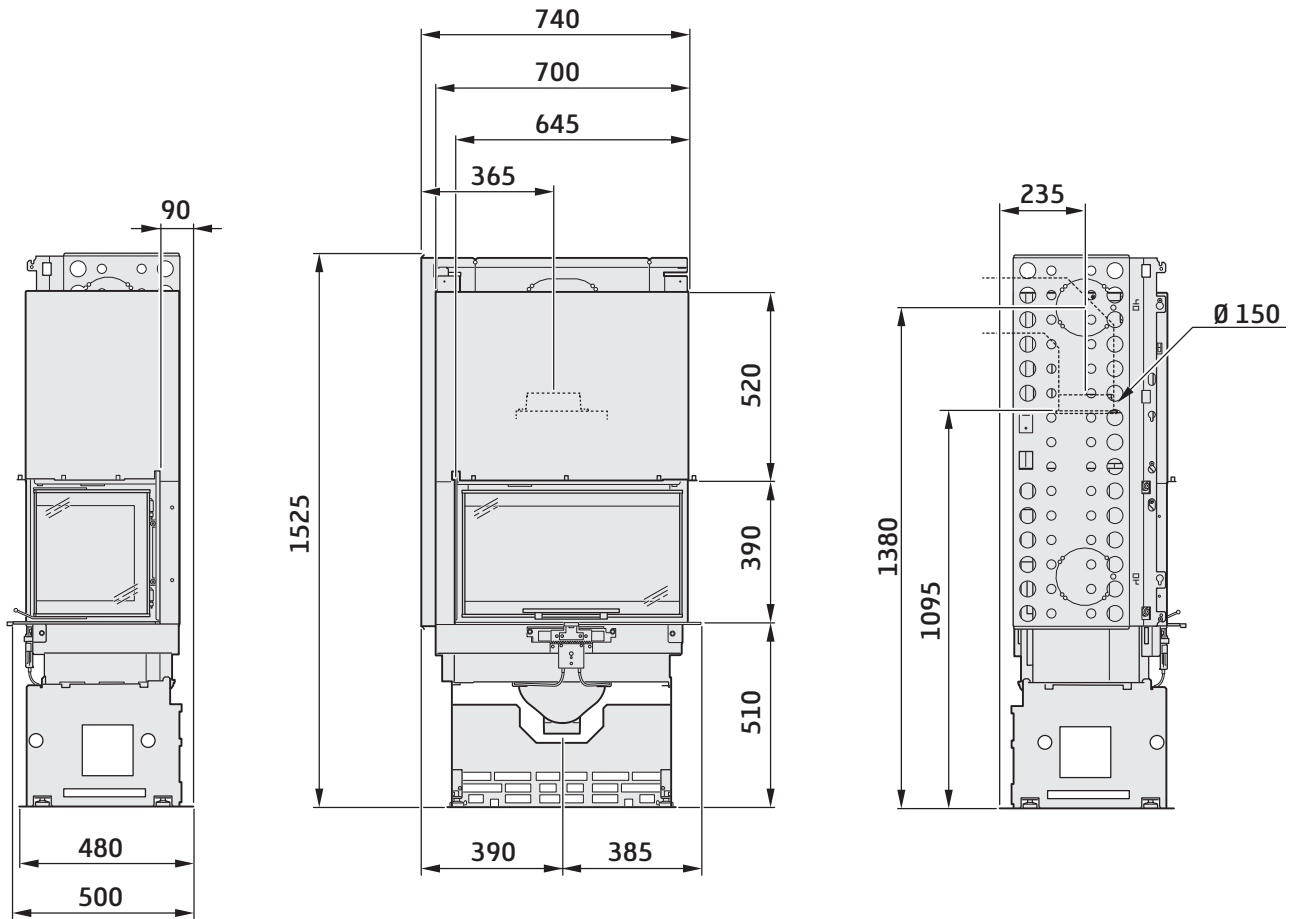
The thermal conductivity coefficient λ must be a maximum of 0.14 W/mK. The thickness of the building material must always be at least 100 mm. In cases where the building material's insulation properties are given as a U-Value, this must be a maximum of 1.4 W/m²K.

List of suitable materials:

Aerated concrete	$\lambda = 0.12-0.14$
Vermiculite	$\lambda = 0.12-0.14$
Calcium silicate	$\lambda = 0.09$

Contact your chimney sweep for advice in choice of other materials. Remember that even a non-combustible wall may require protection if it is a load bearing wall or has combustible material behind it.

Important dimensions



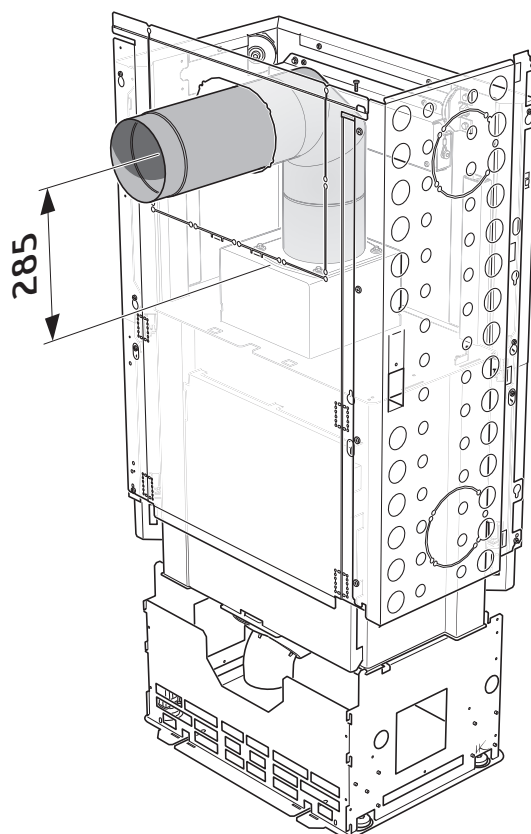
Connection to chimney

- The insert must be connected to a chimney designed to withstand flue gas temperatures of up to 400°C.
- The external diameter of the connection sleeve is 150 mm.
- In normal operating mode, draft in the chimney should be 20-25 Pa close to the connection sleeve. The draft is affected primarily by the length and area of the chimney and also by how well sealed it is. The recommended minimum flue length is 3.5 m and its diameter should be Ø130 to Ø150 mm.
- Sharp bends and horizontal lengths in a flue pipe reduce the draft in the chimney. The maximum horizontal length of flue pipe allowed is 1 m, provided the flue pipe rises vertically for at least 5 m.
- It must be possible to sweep the full length of the flue, and the soot doors must be easily accessible.
- Carefully check that the chimney is sealed and that there is no leakage of smoke from the soot doors or connections.

Rear connection

If connecting at the rear, we recommend using a 45° +45° angle with a soot hatch and with the centre 285 mm above the sleeve.

Note that if connecting at the rear, a heat deflector or protective screen must be installed before the chimney is connected.



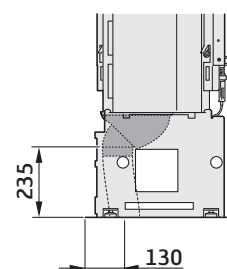
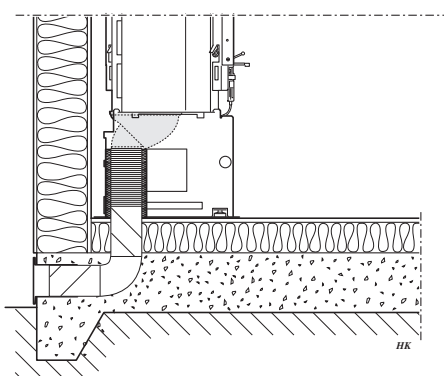
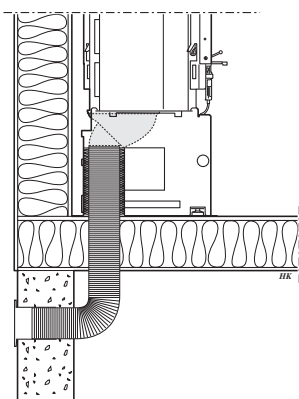
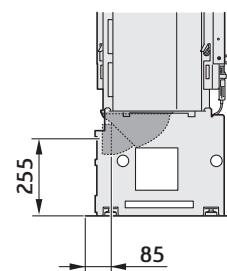
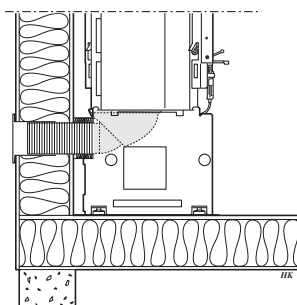
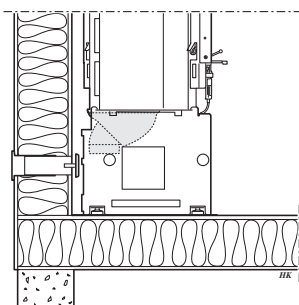
Combustion air supply

When an insert is installed, the need for an adequate supply of air to the room increases. Air can be provided indirectly via a vent in the outer wall or via a duct from the outside that connects to the sleeve on the underside of the insert. The required volume of combustion air is about 25 m³/hour.

The outer diameter of the combustion air connection sleeve is 100 mm.

In heated spaces, the flue must be insulated to prevent condensation using 30 mm mineral wool covered with a vapour barrier. The hole in the wall (or floor) at the exit point must be properly sealed with flue jointing compound.

A 1-metre combustion-air tube insulated to prevent condensation is available as an optional extra.



Recessing the insert

When recessing the insert, adjacent walls that are not classed as fire walls, or are considered unsuitable for heat loads must be protected by non-combustible material according to the specification below.

All joints on the non-combustible material must be sealed using the manufacturer's recommended method. The area between the insert and the recess must be ventilated according to the specification/dimension diagrams.

When connecting a steel flue, please refer to the particular manufacturer's installation instructions. Observe the safety distance to combustible material required by the steel flue. Heat radiation from the hatch is strong and is why combustible material must not be placed closer than 1.5 m in front of the hatch. When recessing, building material must not be in direct contact with the insert due to the thermal expansion of the insert.

Note that building regulations apply regarding the area below and in front of the insert, see section "Hearth plate".

Material requirements

The building material must not be combustible.

The thermal conductivity coefficient λ may be a maximum of 0.14 W/mK.

The thickness of the building material must always be at least 100 mm.

In cases where the building material's insulation properties are given as a U-Value, this must be a maximum of 1.4 W/ m²K.

List of suitable materials:

Aerated concrete $\lambda = 0,12-0,14$

Vermiculite $\lambda = 0,12-0,14$

Calcium silicate $\lambda = 0.09$

Sealing

The recess must not go all the way up to the ceiling, leave an air gap of at least 20 mm closest to the ceiling. The recess must be sealed off above the convection exhaust. The seal must be 100 mm above the convection exhaust's upper edge and must be made of 100 mm non-flammable material according to the material requirements above. Use heat-resistant silicone, for example, between the seal and chimney.

Convection air

The convection air ventilates the surround, cools the insert and transports the hot air out into the room. The effective cross section area on the air intake and exhaust must not be less than the stated values. The air intake must be positioned somewhere between the floor and the bottom of the insert, at the front or on the sides of the recess. The vent must be positioned above the insert's highest point at the front or to the sides of the recess.

If the air intake respectively the vent is positioned on the sides, the areas for the left respectively right sides must be the same size to ensure the insert is evenly cooled.

Observe the minimum distance up to the ceiling.

Convection air in: 600 cm²

Convection air out: 600 cm²

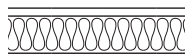
If the convection outlets are directed upwards the following applies

- the recess must be free-standing or placed against a non-combustible wall.
- the distance from the air outlet to combustible roof must be at least 750 mm.

Service

Access to the damper and counterweight must be ensured via doors or ventilation grilles in the surround.

Recess example



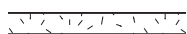
Wall of combustible material



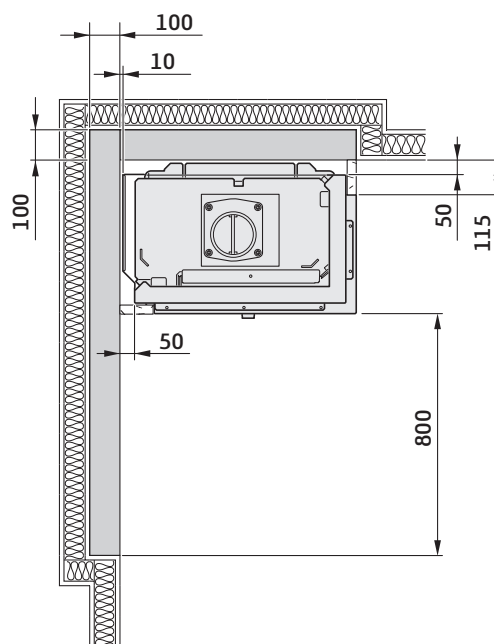
Wall of non-combustible material, made of 100 mm aerated concrete in the recess example.



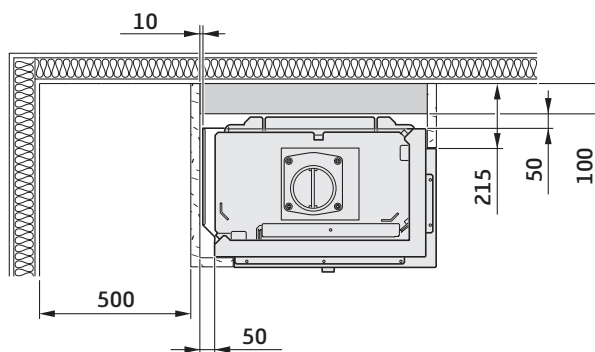
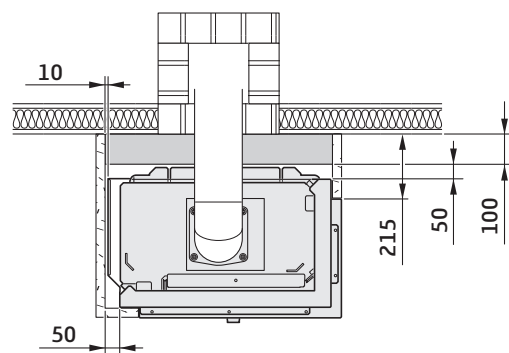
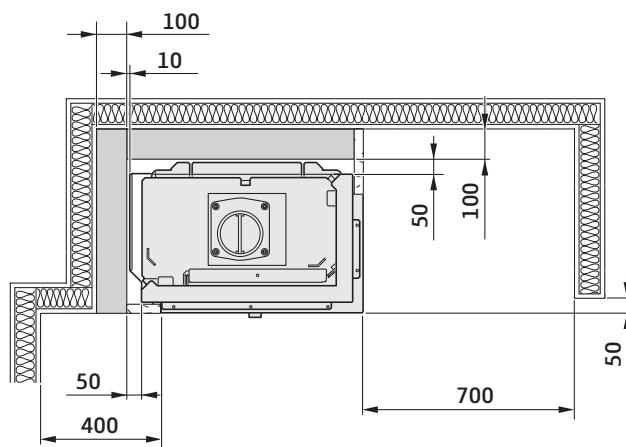
Chimney breast



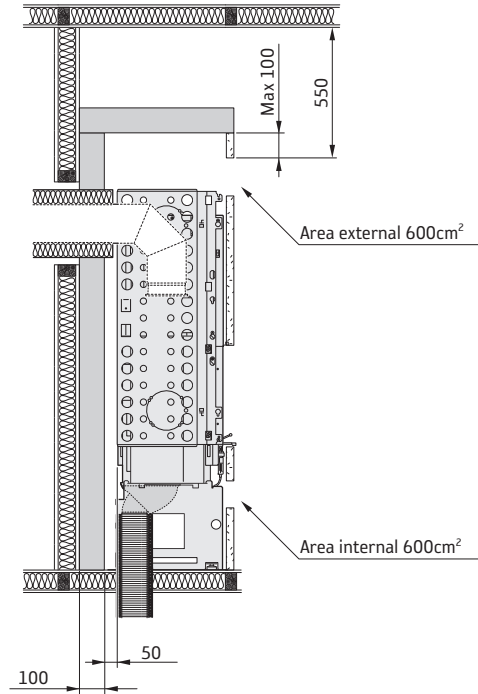
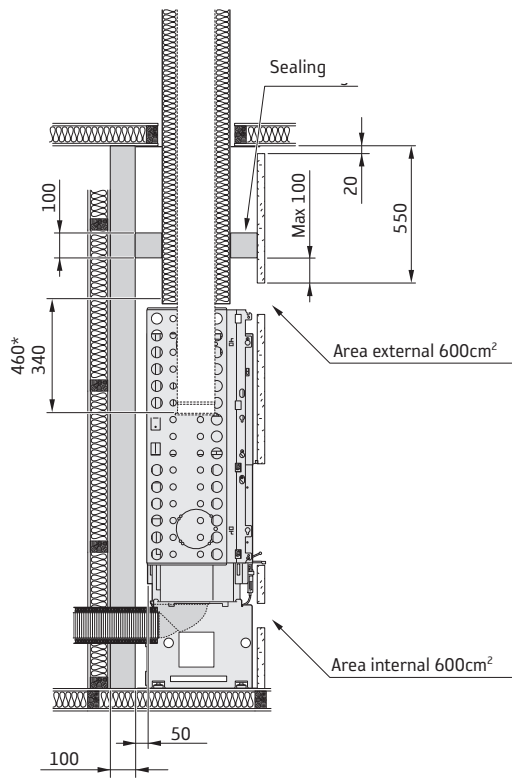
Wall of non-combustible material that is not in contact with combustible material and therefore has no minimum thickness requirement.



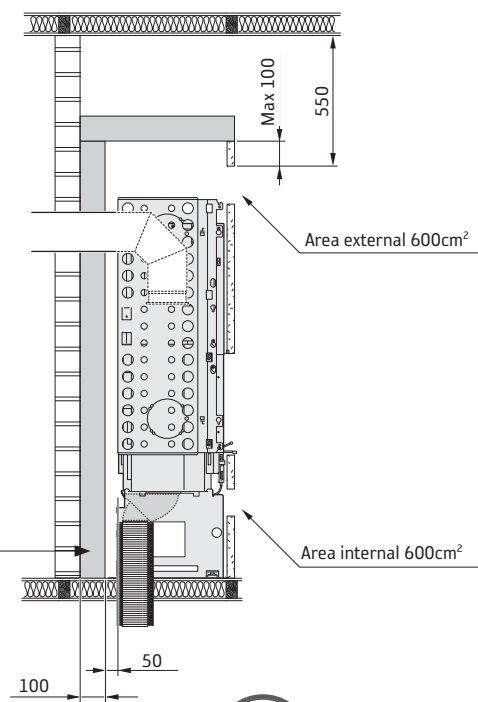
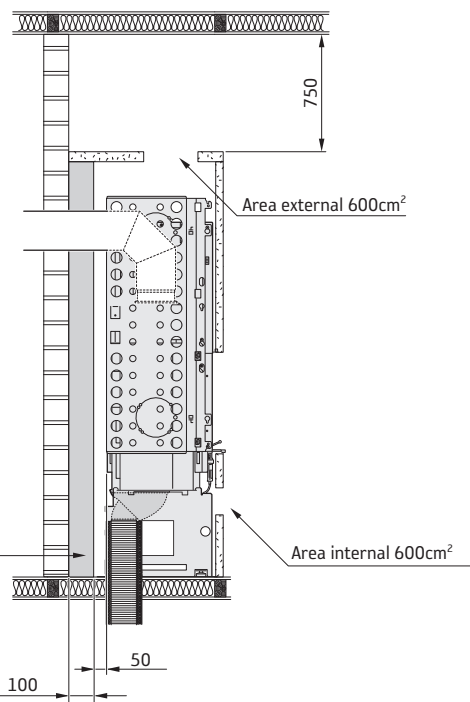
The dimensions are the minimum dimensions, unless otherwise stated.



Recess example



* With Powerstone



Can be excluded if the chimney breast behind is approved and meets full safety requirements according to the authorized inspection body.



Always observe the safety distances to combustible material required by a steel flue.



The dimensions are the minimum dimensions, unless otherwise stated.

Declaration of performance according to Regulation (EU) 305/2011

No. Ci40-CPR-220901

Contura

PRODUCT

Type Wood burning insert
Trade name Contura i40
Intended area of use Heating of rooms in residential buildings
Fuel Wood

MANUFACTURER

Name Contura AB
Address Box 134, Skulptörvägen 10
SE-285 23 Markaryd, Sweden

VERIFICATION

According to AVCP System 3
European standard EN 13229:2001/A2:2004/AC:2007
Test institute Rein-Ruhr Feuerstätten Prüfstelle, NB 1625.

DECLARED PERFORMANCE

ESSENTIAL CHARACTERISTICS	PERFORMANCE	HARMONISED TECHNICAL SPECIFICATION
Fire safety	Pass	EN 13229:2001/A2:2004/AC:2007
Fire classification	A1	
Minimum distance to flammable materials	Rear: 150 mm (With heat shield) Side: 110 mm (With heat shield) Side: 700 mm Ceiling: 550 mm (Front grate) Ceiling: 750 mm (Top grate) Front: 1500 mm Floor: 0 mm Corner: NPD	
Fire hazard due to burning fuel falling out	Pass	
Cleanability	Pass	
Emissions from combustion	CO: 1500 mg/ m ³ NOx: 200 mg/ m ³ OGC: 120 mg/ m ³ PM: 40 mg/ m ³	
Surface temperatures	Pass	
Temperature on the handle	NPD	
Mechanical resistance	Pass	
Temperature in the space for wood storage	NPD	
Nominal output	7,0 kW	
Efficiency	81,0%	
Flue gas temperature at nominal output	273°C	
Flue gas temperature in flue spigot	328°C	

The undersigned is responsible for the manufacture and conformity with the declared performance.



Niklas Gunnarsson, Business area manager NIBE STOVES
Markaryd, 1st September 2022



EU Declaration of Conformity

Manufacturer	Contura AB
Address	Box 134, Skulptörvägen 10 285 23 Markaryd, Sweden
E-Mail	info@contura.se
Website	www.contura.eu
Telephone	+46 433 275100

Contura

THIS DECLARATION OF CONFORMITY IS ISSUED UNDER OUR SOLE RESPONSIBILITY FOR THE FOLLOWING PRODUCT:							
Trade name	Contura i40-series: i40 / i41 (A/T/S)						
Identification of product	www.contura.eu						
THE OBJECT OF THE DECLARATION DESCRIBED ABOVE IS IN CONFORMITY WITH -							
THE RELEVANT UNION HARMONIZATION LEGISLATION:				THE RELEVANT HARMONIZED STANDARDS:			
DIR 2009/125/EC				EN 13240:2001/A2:2004/AC:2007			
REG (EU) 2015/1185				CEN/TS 15883:2010			
REG (EU) 2015/1186				EN 13229:2001/A2:2004/AC:2007			
REG (EU) 2017/1369							
REG (EU) 305/2011							
TECHNICAL DOCUMENTATION							
Indirect heating functionality:	No						
Direct heat output:	7,0 kW						
Energy Efficiency Index (EEI):	107,5						
Test report	RRF 29 13 3402, NB 1625						
FUEL	PREFERRED FUEL	OTHER SUITABLE FUEL	η_s (%)	EMISSIONS AT NOMINAL HEAT OUTPUT			
				PM	OGC	CO	NO _x
mg/ Nm ³ (13% O ₂)							
Wood logs with moisture content 25%	Yes	No	71,0	40	120	1500	200
Compressed wood with moisture content <12%	No	Yes	71,0	40	120	1500	200
Other woody biomass	No	No					
Non-wood biomass	No	No					
Anthracite and dry steam coal	No	No					
Hard coke	No	No					
Low temperature coke	No	No					
Bituminous coal	No	No					
Lignite briquettes	No	No					
Peat briquettes	No	No					
Blended fossil fuel briquettes	No	No					
Other fossil fuel	No	No					
Blended biomass and fossil fuel briquettes	No	No					
Other blend of biomass and solid fuel	No	No					
CHARACTERISTICS WHEN OPERATING WITH THE PREFERRED FUEL							
ITEM	SYMBOL	VALUE	UNIT	ITEM	SYMBOL	VALUE	UNIT
HEAT OUTPUT				USEFUL EFFICIENCY, BASED ON NET CALORIFIC VALUE (NCV)			
Nominal heat output:	P_{nom}	7,0	kW	Useful efficiency at nominal heat output	$\eta_{th,nom}$	81,0	%
AUXILIARY ELECTRICITY CONSUMPTION				TYPE OF HEAT OUTPUT/ROOM TEMPERATURE CONTROL			
At nominal heat output	$e_{l,max}$	-	kW	Single stage heat output, no room temperature control			Yes
At minimum heat output	$e_{l,min}$	-	kW	Two or more manual stages, no room temperature control			No
In standby mode	$e_{l,SB}$	-	kW	With mechanic thermostat room temperature control			No
				With electronic room temperature control			No
				With electronic room temperature control plus day timer			No
				With electronic room temperature control plus week timer			No
				OTHER CONTROL OPTIONS			
				Room temperature control, with presence detection			No
				Room temperature control, with open window detection			No
				With distance control option			
Specific precautions for assembly, installation, or maintenance.		Fire protection and safety distances to combustible building materials must be observed under all circumstances. A sufficient supply of combustion air must always be guaranteed. Air suction systems can interfere with the combustion air supply.					

The undersigned is responsible for the manufacture and conformity with the declared performance.



Niklas Gunnarsson, Business area manager NIBE STOVES
Markaryd, January 1, 2022



SE Innan montering

Om insatsen behöver läggas ned för att förflyttas bör lösa delar demonteras. Demontering av eldstadsbeklädnad beskrivs i slutet av denna anvisning.

- 1 Rökhylla av plåt
- 2 Vermiculit
- 3 Serienummer
- 4 Gjutgodsbotten
- 5 Spjäll
- 6 Typskylt
- 7 Tilluftsstos
- 8 Justerbara fötter
- 9 Askläda
- 10 Roster

DE Vor der Montage

Wenn der Einsatz in liegender Position versetzt werden muss, sind lose Komponenten zu demontieren. Die Demontage der Brennraumauskleidung wird am Ende dieser Anleitung beschrieben.

- 1 Rauchmelenkplatte aus Blech
- 2 Vermiculit
- 3 Seriennummer
- 4 Gussboden
- 5 Klappe
- 6 Typenschild
- 7 Zuluftanschluss
- 8 Verstellbare Füße
- 9 Aschekasten
- 10 Rost

NO Før montering

Hvis innsatsen må legges ned for å flyttes, bør løse deler demonteres. Demontering av brennplater og hvelv er beskrevet mot slutten av denne veiledningen.

- 1 Røykhylle i metall
- 2 Vermikulitt
- 3 Serienummer
- 4 Støpegodsbunn
- 5 Spjeld
- 6 Typeskilt
- 7 Tilluftsstuss
- 8 Justerbare føtter
- 9 Askeskuff
- 10 Rist

FR Avant de procéder au montage

Les éléments non fixés devront être déposés si l'insert doit être couché pour être déplacé. Le démontage de l'habillage du foyer est décrite à la fin de ce document.

- 1 Déflecteur de fumée en tôle d'acier
- 2 Vermiculite
- 3 Numéro de série
- 4 Fond en fonte
- 5 Registre
- 6 Plaque signalétique
- 7 Manchon d'arrivée d'air
- 8 Pieds réglables
- 9 Cendrier
- 10 Grille

GB Prior to installation

If the insert needs to be put down to be moved, loose components should be removed. Removal of the hearth cladding is described at the end of these installation instructions.

- 1 Metal baffle plate
- 2 Vermiculite
- 3 Serial number
- 4 Cast-iron base
- 5 Damper
- 6 Type plate
- 7 Air inlet
- 8 Adjustable feet
- 9 Ash pan
- 10 Grate

DK Før opstilling

Hvis indsatsen skal lægges ned for at blive flyttet, bør løsdele afmonteres. Afmontering af ovnbeklædning beskrives i slutningen af denne vejledning.

- 1 Røgvendeplade af stål
- 2 Vermiculite
- 3 Serienummer
- 4 Støbejernsbund
- 5 Spjæld
- 6 Typeskilt
- 7 Forbrændingsluftstuds
- 8 Justerbare fødder
- 9 Askeskuffe
- 10 Rist

FI Ennen asennusta

Jos tulipesä pitää siirtää kyljellään, irto-osat pitää irrottaa. Tulipesän verhoilun irrotus kuvataan ohjeen lopussa.

- 1 Peltisavuhylly
- 2 Vermikuliitti
- 3 Valmistenumero
- 4 Valurautapohja
- 5 Pelti
- 6 Tyyppikilpi
- 7 Tuloilmailitäntä
- 8 Säättöjalat
- 9 Tuhkalaatikko
- 10 Arina

IT Prima del montaggio

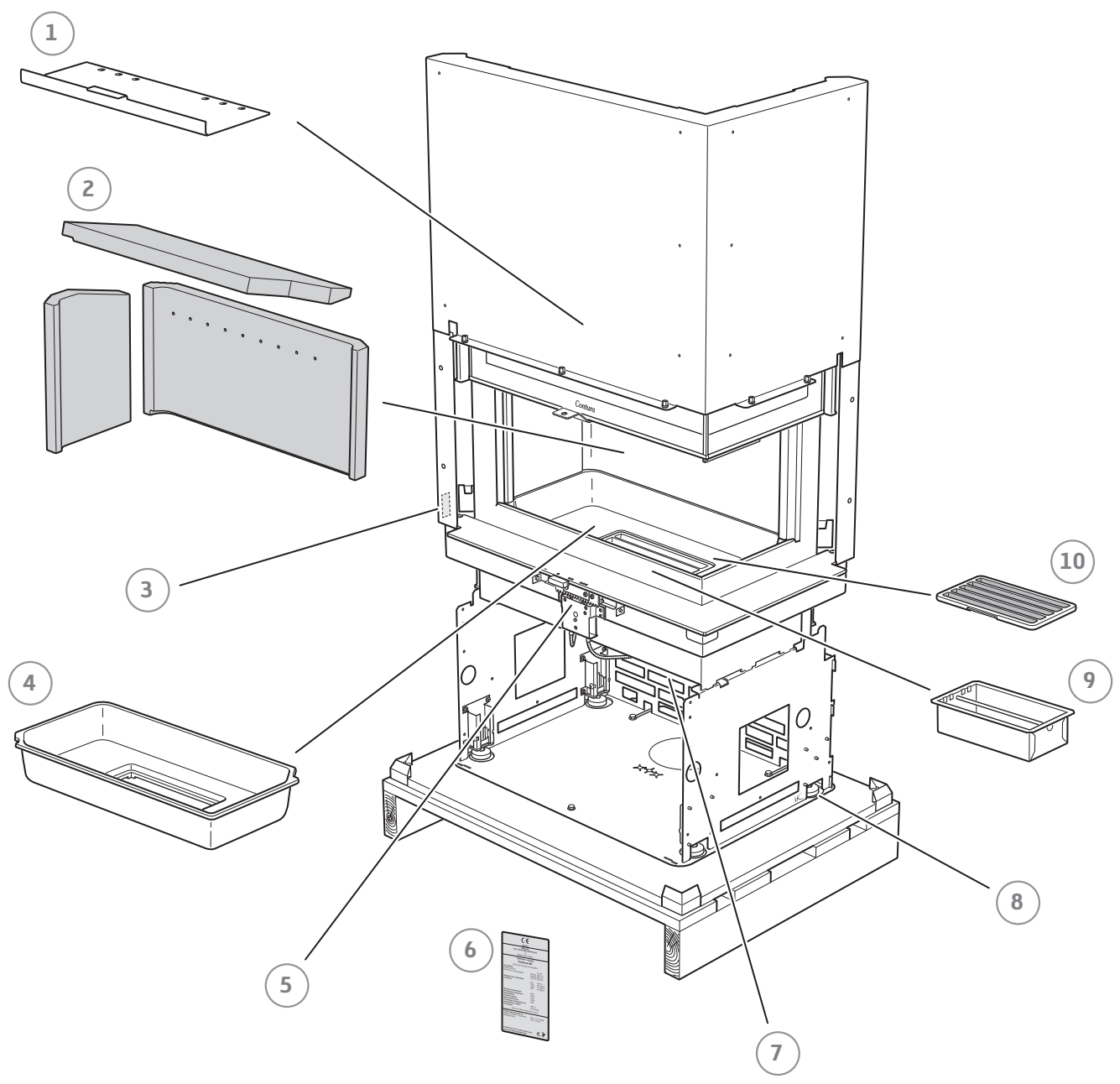
Se è necessario smontare l'inserto per spostarlo, rimuovere prima i componenti liberi. La procedura di smontaggio del rivestimento del focolare è descritta alla fine delle presenti istruzioni.

- 1 Deflettore fumi in acciaio
- 2 Vermiculite
- 3 Numero di serie
- 4 Fondo in ghisa
- 5 Regolazione aria
- 6 Etichetta prodotto
- 7 Raccordo per la presa d'aria
- 8 Piedini regolabili
- 9 Cassetto della cenere
- 10 Griglia

NL Voorafgaand aan montage

Als de inzet liggend moet worden verplaatst, moeten losse onderdelen worden gedemonteerd. De demontage van de haardbekleding wordt beschreven aan het eind van deze instructies.

- 1 Rookschot van plaatstaal
- 2 Vermiculiet
- 3 Serienummer
- 4 Gietijzeren bodem
- 5 Klep
- 6 Typeplaatje
- 7 Toevoerluchtaansluiting
- 8 Stelpoten
- 9 Aslade
- 10 Rooster





SE Öppning av sidoglas

DE Öffnen der Seitenscheiben

NO Åpning av sideglass

FR Ouverture des vitres latérales

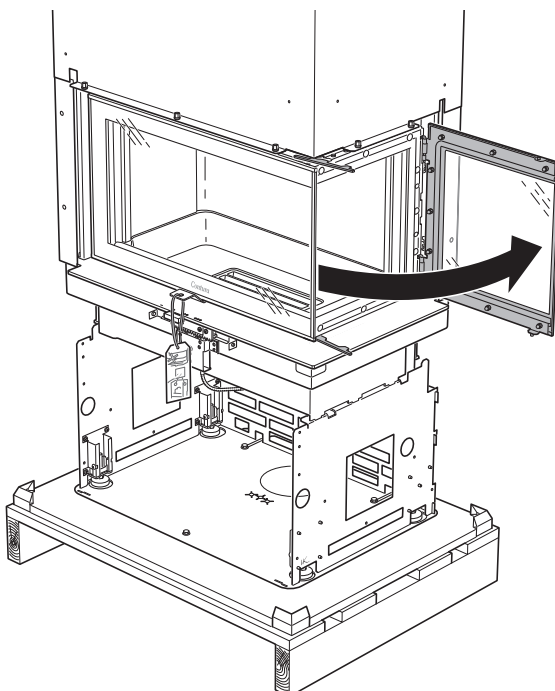
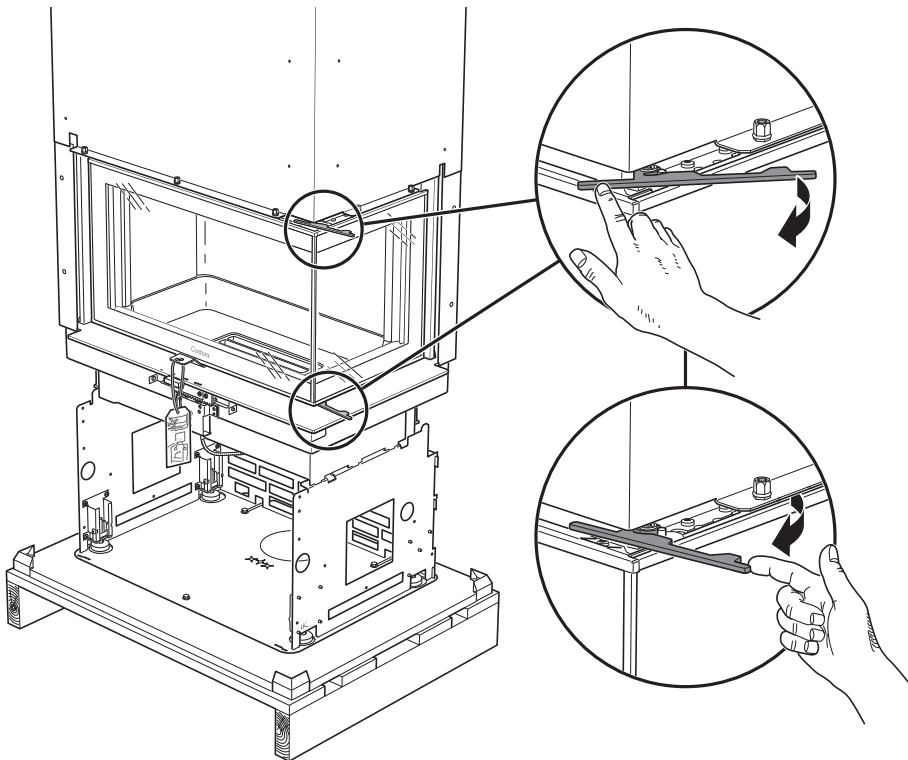
GB Opening a side glass panel

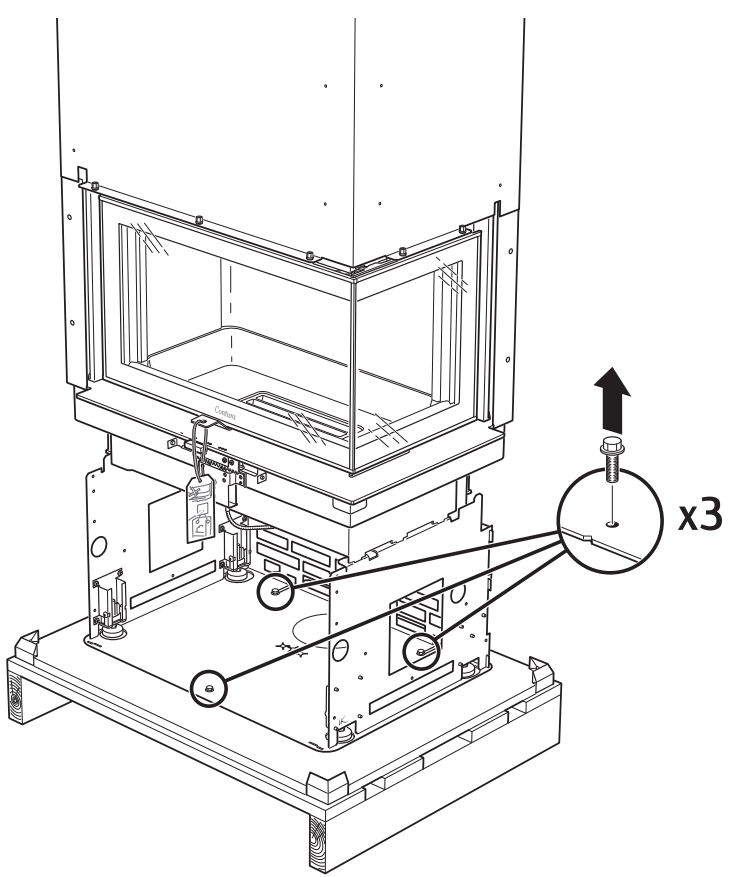
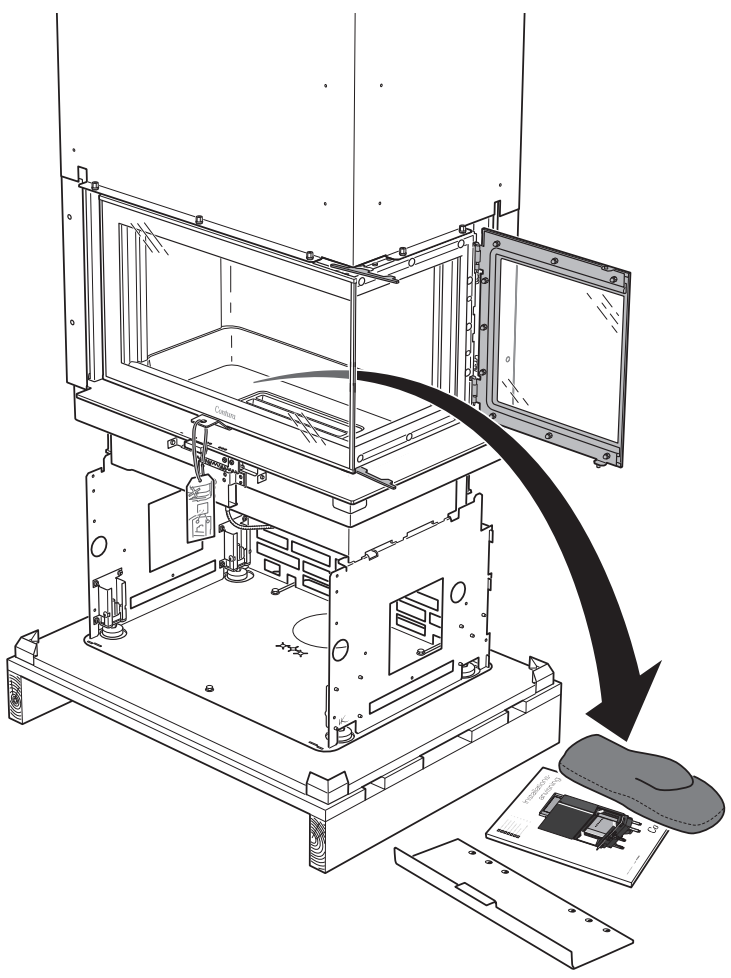
DK Åbning af sideglas

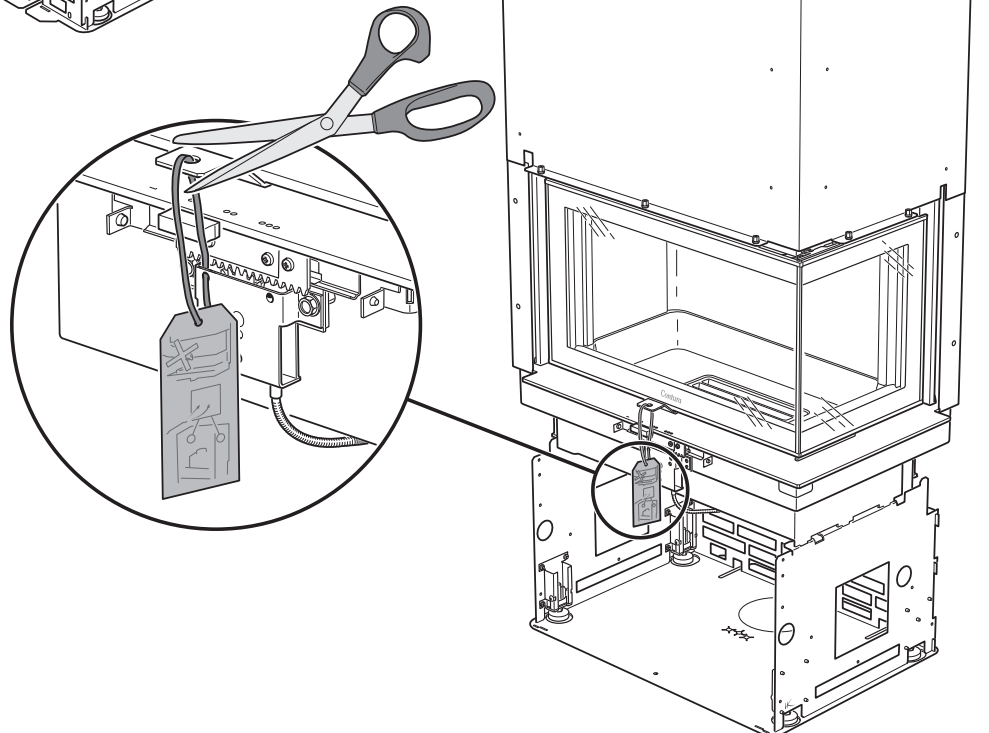
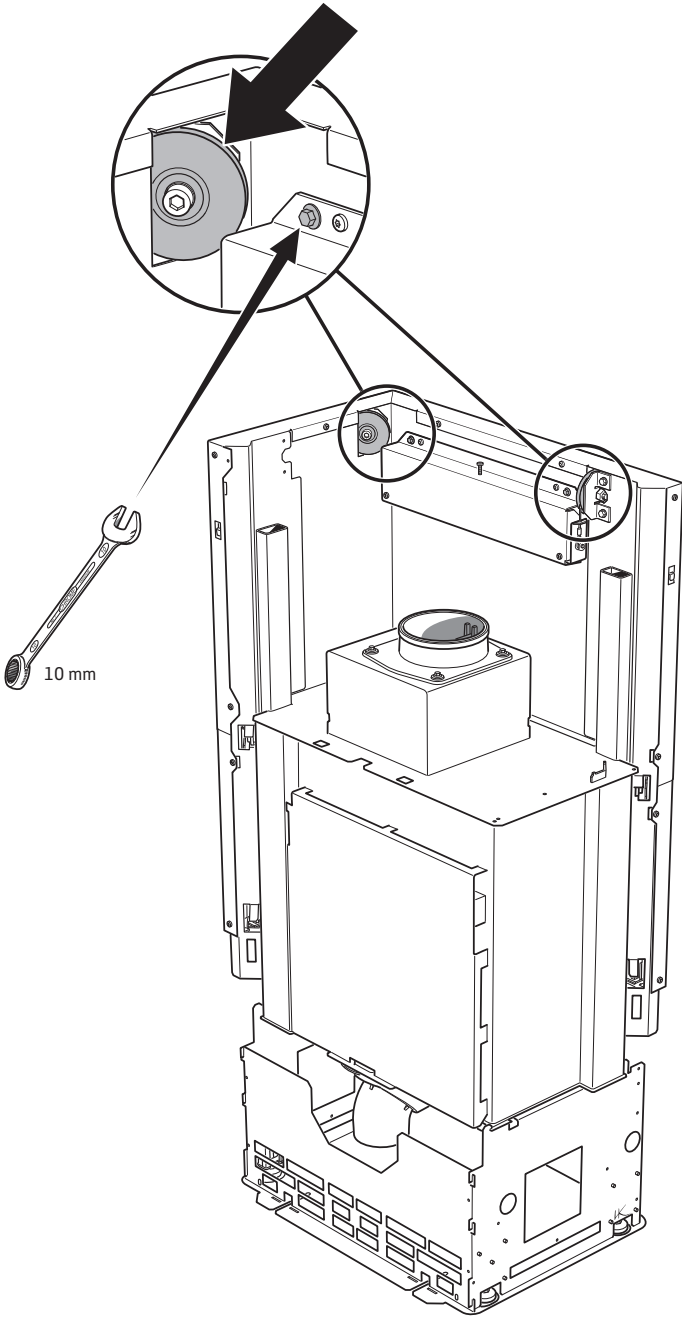
FI Sivulasin avaaminen

IT Apertura del vetro laterale

NL Openen van zijruiten







SE Funktionskontroll

Genomför en funktionskontroll på insatsen på följande sätt:

Använd de ställbara fötterna för att placera insatsen i våg. Kontrollera att luckan går att öppna och stänga. Kontrollera att spjällknoppen kan flyttas fram och tillbaka enligt max- och minmarkeringen.

DE Funktionskontrolle

So kontrollieren Sie die Funktionsweise des Einsatzes: Richten Sie den Einsatz mithilfe der einstellbaren Füße waagrecht aus. Kontrollieren Sie, ob sich die Tür öffnen und schließen lässt. Stellen Sie sicher, dass sich der Klappenknopf zwischen Minimal- und Maximalkennzeichnung vor- und zurückbewegen lässt.

NO Funksjonskontroll

Foreta en funksjonskontroll av innsatsen på følgende måte:

Bruk de justerbare føttene for å plassere innsatsen i vater. Kontroller at døren kan åpnes og lukkes. Kontroller at spjeldknotten kan flyttes frem og tilbake i henhold til maksimums- og minimumsmarkeringen.

FR Contrôle de fonctionnement

Effectuez un test de fonctionnement de l'insert comme suit :

Utilisez les pieds réglables pour placer l'insert horizontalement. Vérifiez que la porte s'ouvre et se ferme. Vérifiez que le bouton du registre bouge d'avant en arrière jusqu'aux positions max. et min.

GB Performance check

Check the performance of the insert as follows:

Use the adjustable feet to level the insert. Check that the door can be opened and closed. Check that the damper knob can be moved back and forth to the max. and min. marks.

DK Funktionskontrol

Foretag en funktionskontrol af indsatsen som følger:

Benyt de justerbare fødder for at sætte indsatsen i vater. Kontroller, at lågen kan åbnes og lukkes. Kontroller, at spjældknoppen kan flyttes frem og tilbage i henhold til maks.- og min.-markeringerne.

FI Toiminnan tarkastus

Tarkasta takkasydämen toiminta seuraavasti:

Säädä takkasydän pystyasentoon säätöjalkojen avulla. Tarkasta, että luukun voi avata ja sulkea. Tarkasta, että säätöpellin nuppi liikkuu edestakaisin luukkuun merkittyjen maksimi- ja minimiasentojen välillä.

IT Controllo del funzionamento

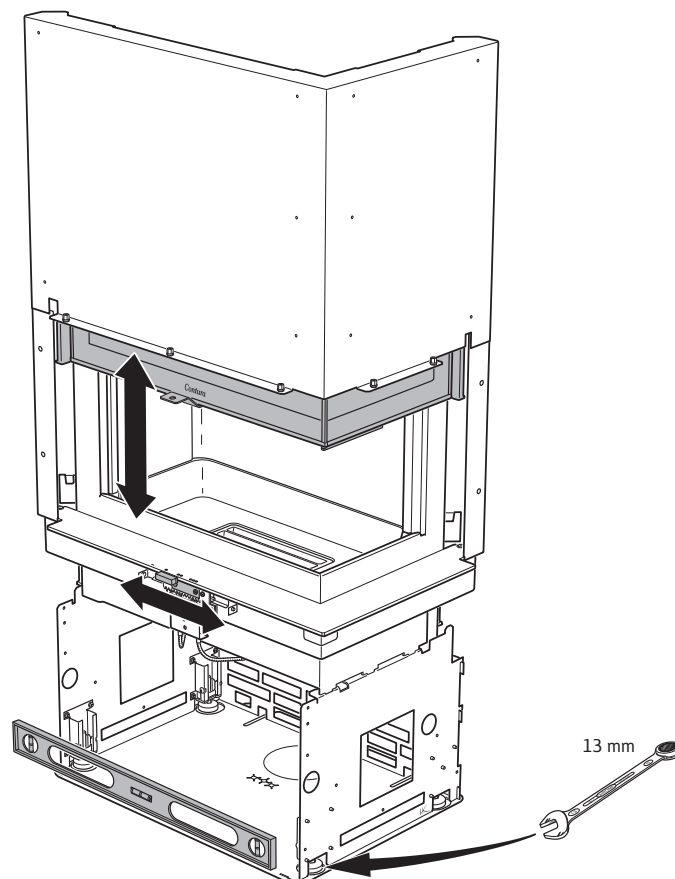
Eseguire un controllo funzionale dell'inserto, come descritto in seguito:

Usare i piedini regolabili per livellare l'inserto. Controllare che lo sportello si apra e si chiuda senza problemi. Controllare che la manopola di regolazione dell'aria possa essere spostata avanti e indietro tra le regolazioni minima e massima.

NL Functiecontrole

Voer op de volgende manier een functiecontrole van de inzet uit:

Gebruik de stelpoten om de inzet waterpas te zetten. Controleer of u de deur kunt openen en sluiten. Controleer of u de klepknop heen en weer kunt bewegen volgens de markeringen max. en min.





SE Från vår fabrik är skenorna som luckan löper i insmorda med specialfett som tål höga temperaturer. Normalt är denna typ av fett svår att hitta på marknaden och vi rekommenderar att ta kontakt med Conturas återförsäljare för att beställa detta specialfett vid smörjning av skenorna.

DE Die Führungsschienen der Tür sind werkseitig mit Spezialfett geschmiert, das beständig gegenüber hohen Temperaturen ist. Normalerweise ist dieses Fett auf dem Markt schwer erhältlich. Um dieses Spezialfett zum Schmieren der Schienen zu bestellen, empfehlen wir Ihnen, sich an einen Contura-Händler zu wenden.

NO Skinnene som døren løper i, er fra fabrikkens side innsurt med et spesialfett som tåler høye temperaturer. Denne typen fett er vanligvis vanskelig å få tak i, og vi anbefaler derfor at du tar kontakt med en av Conturas forhandlere for å bestille dette spesialfettet til smøring av skinnene.

FR Les rails assurant le coulissement de la porte sont lubrifiés d'usine avec une graisse spéciale résistant à des températures élevées. Ce type de graisse est normalement difficile à trouver sur le marché et nous vous recommandons de vous mettre en contact avec votre revendeur Contura pour la commander.

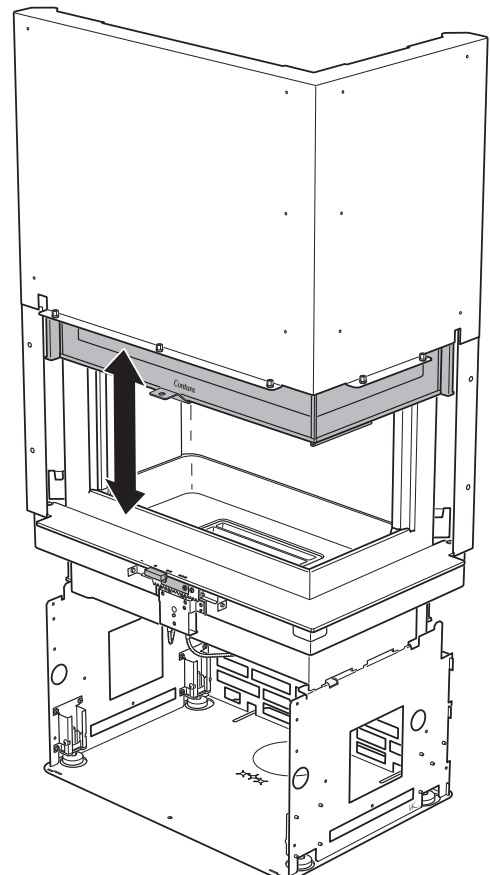
GB The hatch runners are lubricated at the factory, with special grease that can withstand high temperatures. This type of grease is usually difficult to find on the market and we recommend contacting a Contura dealer to order this special grease when lubricating the runners.

DK Skinnerne, som lågen løber i, er fra fabrikken smurt med specialfedt, som tåler høje temperaturer. Normalt er denne type fedt vanskelig at finde i handlen, og vi anbefaler at kontakte din Contura-forhandler for at bestille dette specialfedt ved smøring af skinnerne.

FI Luukun kiskot on tehtaalla voideltu korkeita lämpötiloja kestäväällä erikoisrasvalla. Tämän tyyppistä rasvaa on tavallisesti vaikeaa löytää markkinoilta. Suosittelemme, että tilaat tätä erikoisrasvaa Contura-jälleenmyyjältäsi, jos kiskot kaipaavat voitelua.

IT Di fabbrica, le guide di apertura dello sportello sono lubrificate con un grasso speciale resistente alle alte temperature. Normalmente questo tipo di grasso è di difficile reperimento sul mercato, quindi consigliamo di contattare il rivenditore Contura per ordinare il grasso specifico per la lubrificazione delle guide.

NL In de fabriek zijn de rails van de deur gesmeerd met speciaal vet dat tegen hoge temperaturen bestand is. Normaal gesproken is dit type vet moeilijk te vinden en wij bevelen aan contact op te nemen met uw Contura-dealer om dit speciale vet voor het smeren van de rails te bestellen.





SE Demontering av eldstadsbeklädning

DE Demontage der Brennraumauskleidung

NO Demontering av ildstedsbekledning

FR Démontage des éléments d'habillage du foyer

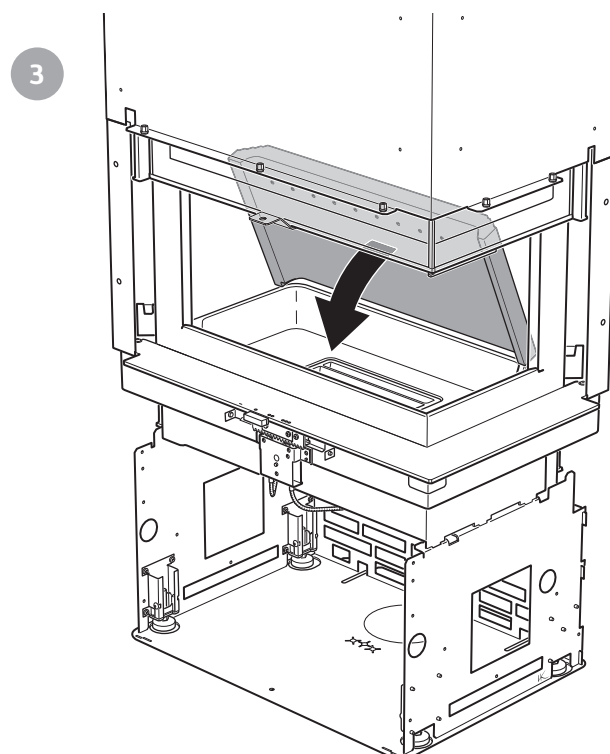
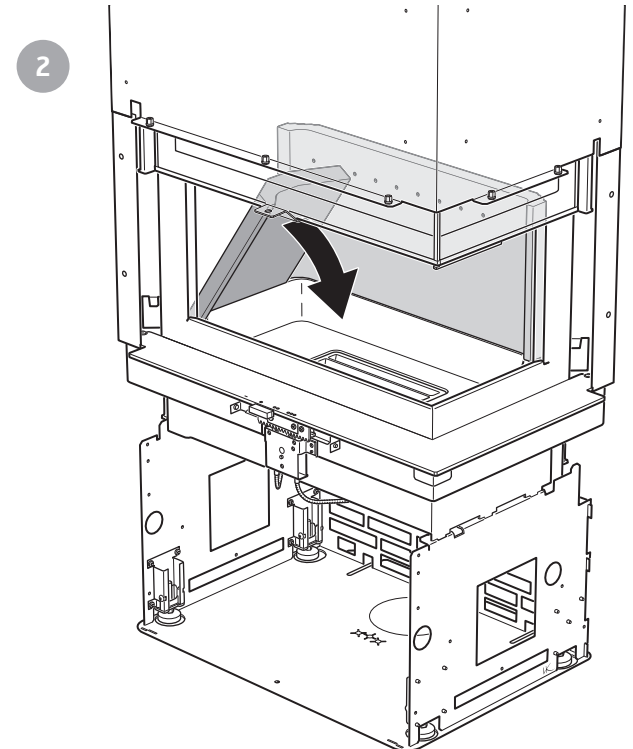
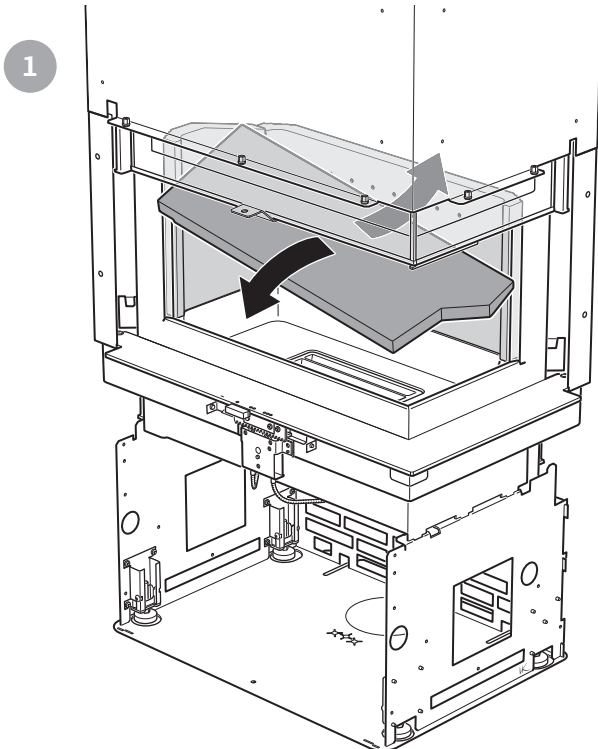
GB Removing the hearth cladding

DK Afmontering af ovnbeklædning

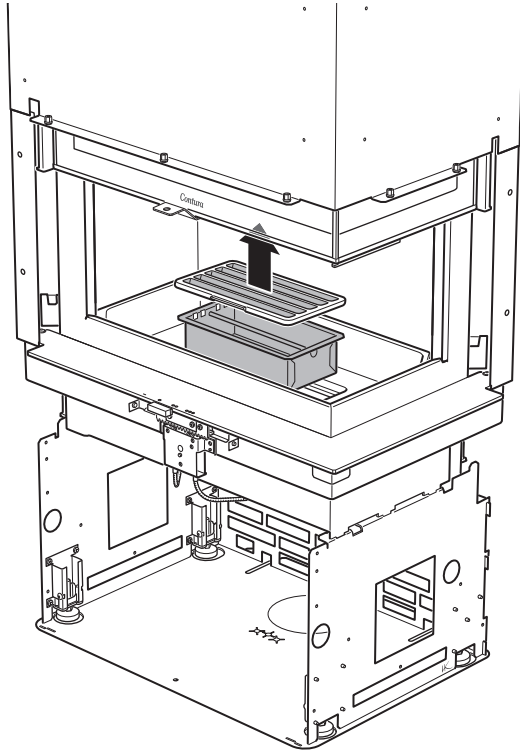
FI Tulipesän verhouksen irrotus

IT Rimozione del rivestimento del focolare

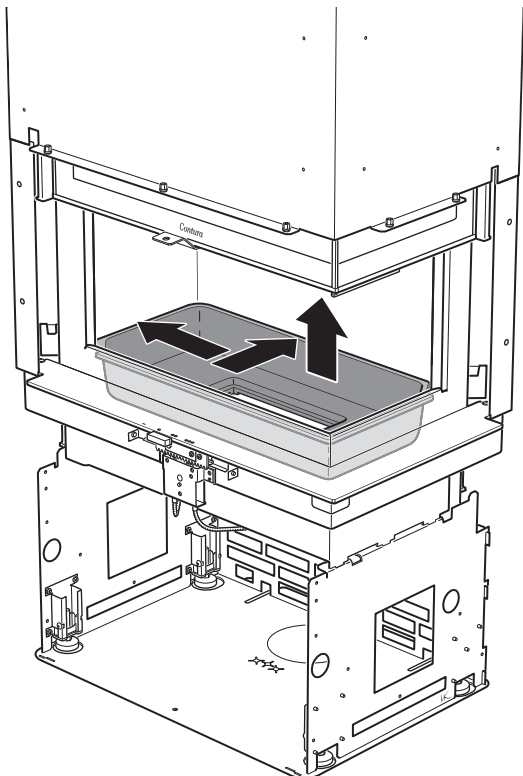
NL Demontage van de haardbekleding



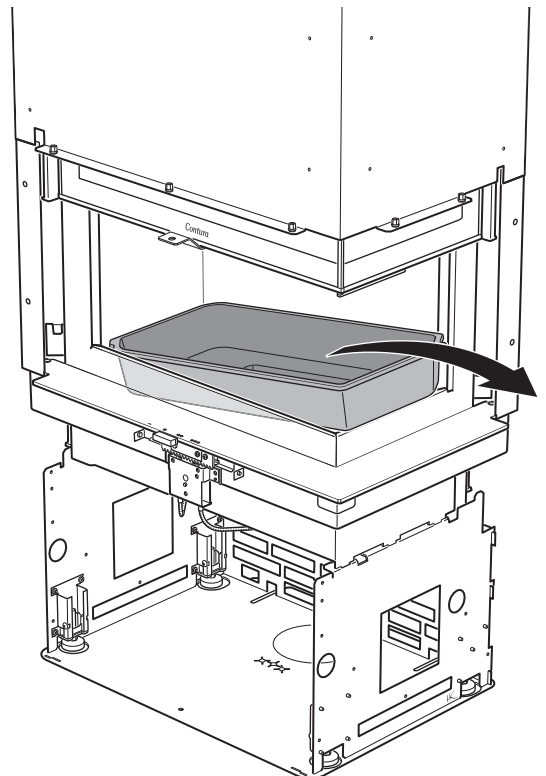
4



5



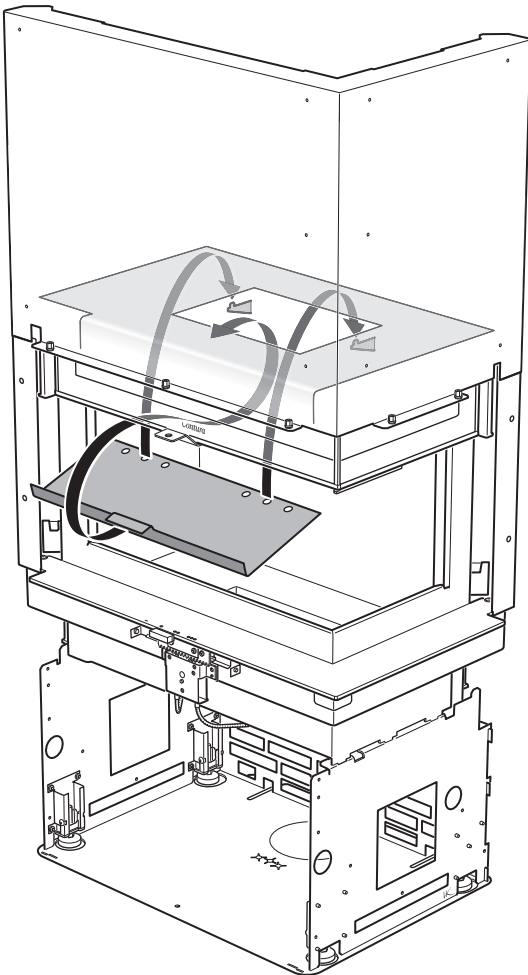
6



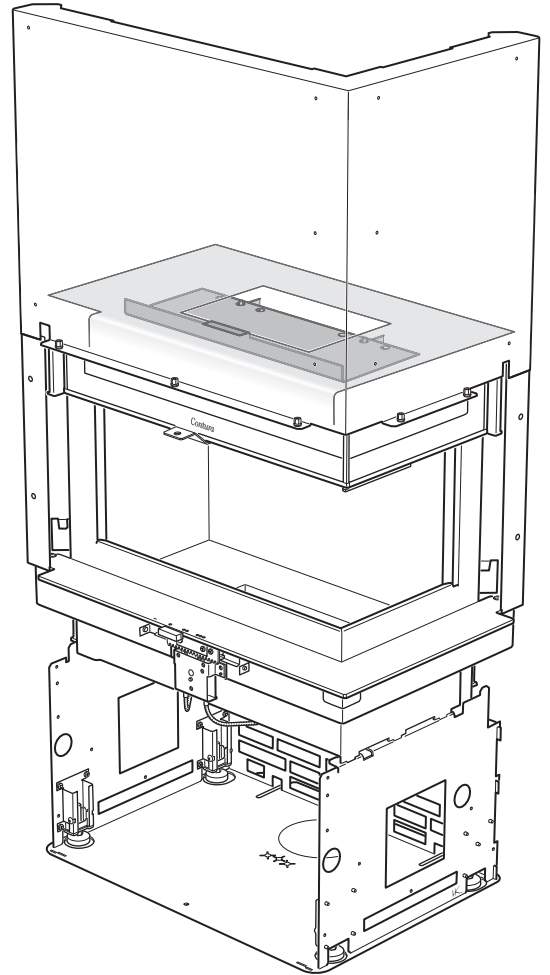


- SE** Montering av rökhylla i plåt
- DE** Montage der Rauchumlenkplatte aus Blech
- NO** Montering av røykhylle i metall
- FR** Montage du déflecteur de fumée en tôle d'acier
- GB** Installation of metal baffle plate
- DK** Montering af røgvendeplade af stål
- FI** Peltisavuhyllyn asennus
- IT** Montaggio del deflettore fumi in acciaio
- NL** Rookschot van plaatstaal monteren

1



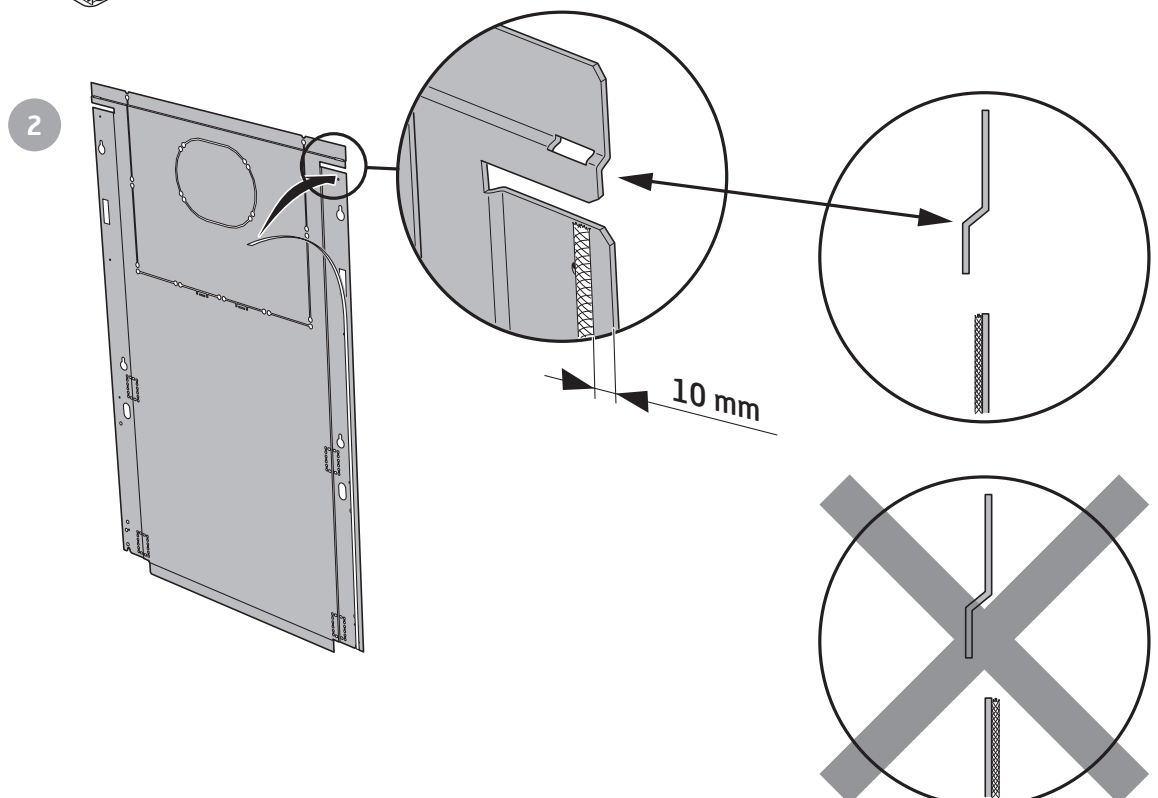
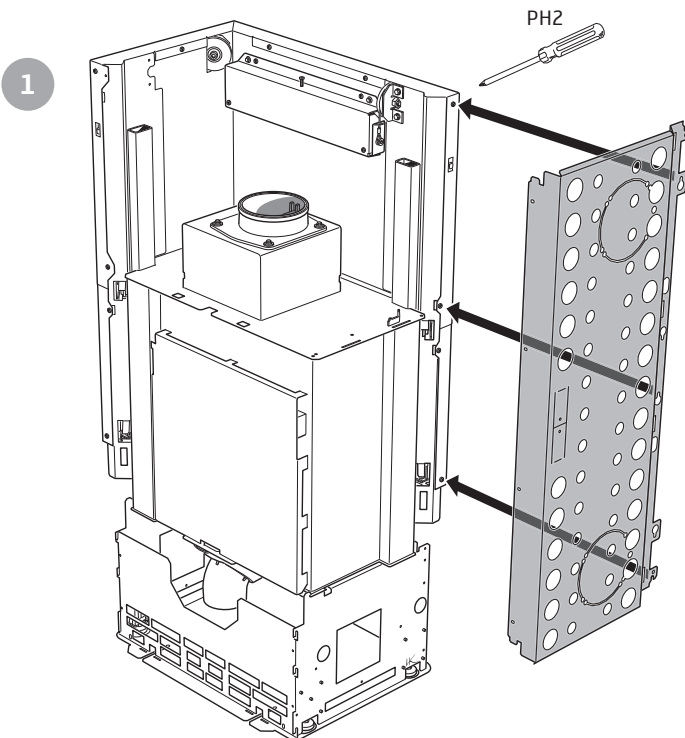
2

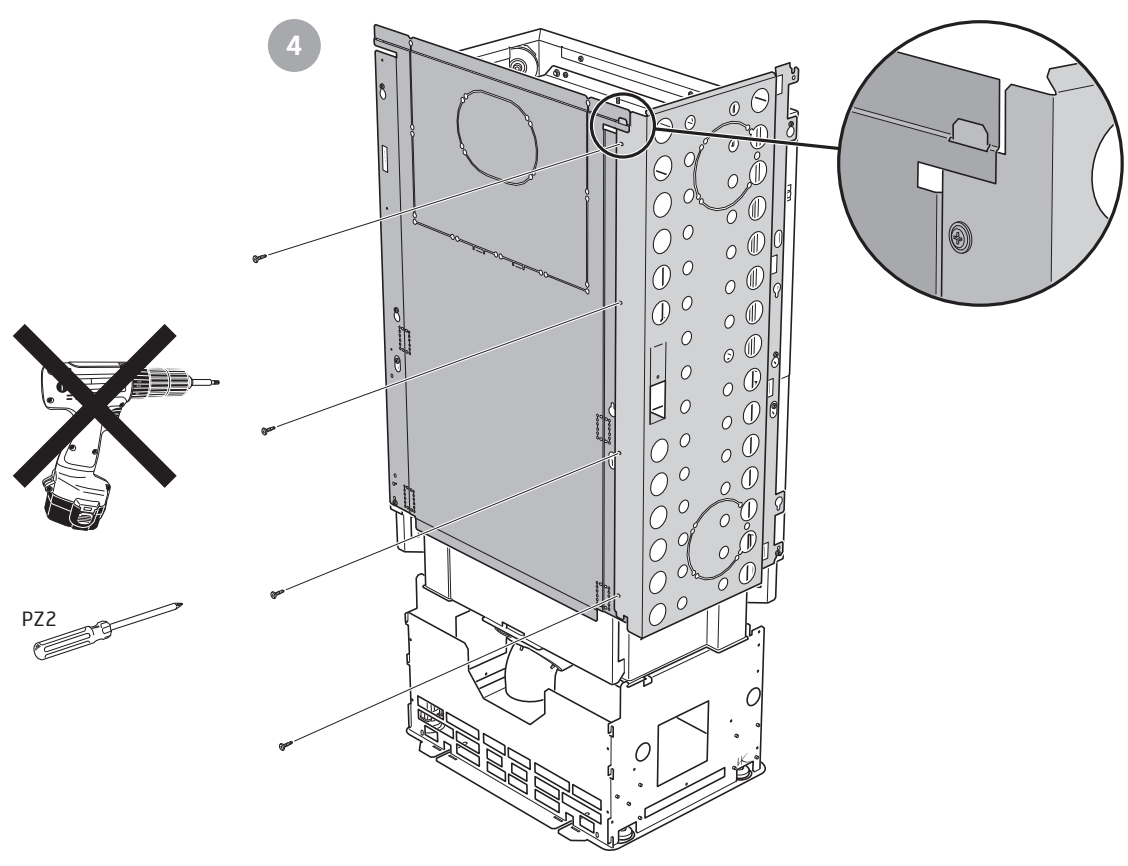
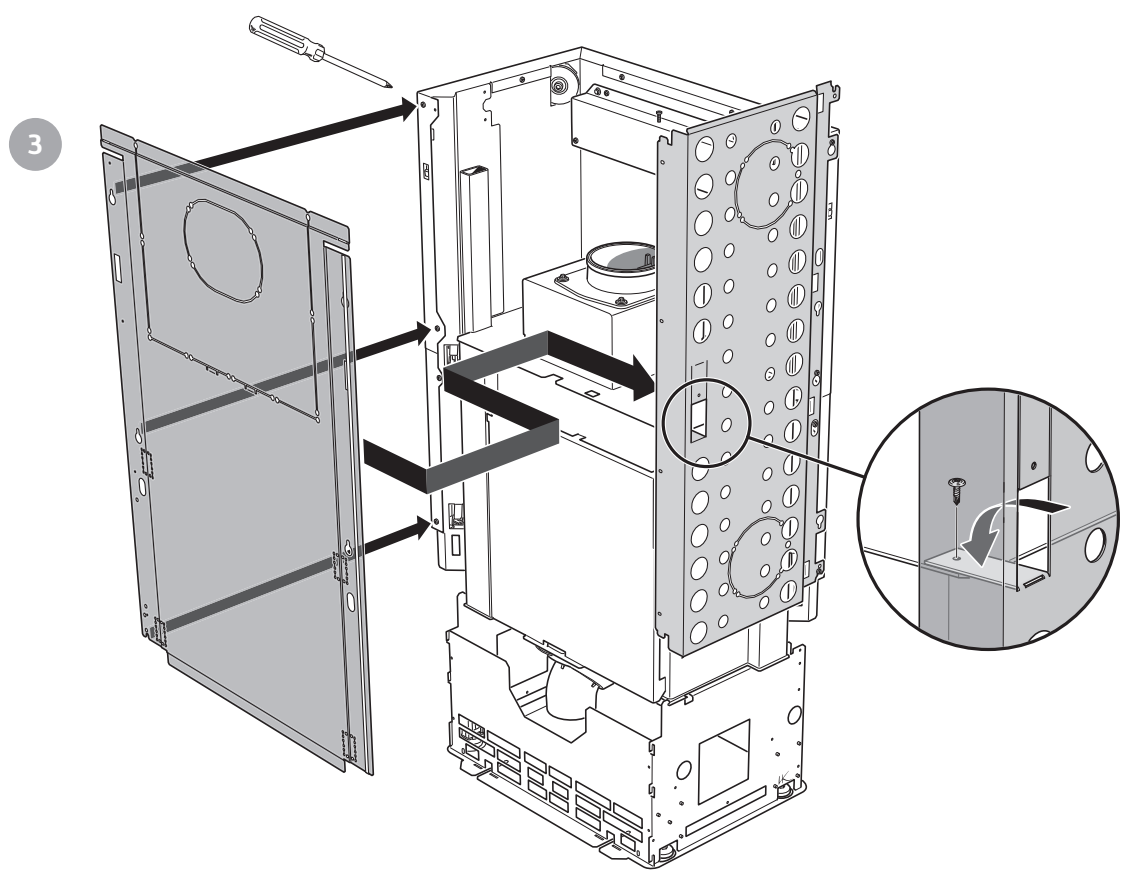




- SE** Montering av strålningsplåtar
- DE** Montage der Strahlungsbleche
- NO** Montering av stråleplater
- FR** Montage des réflecteurs de chaleur
- GB** Installing heat deflectors

- DK** Montering af strålningsplader
- FI** Lämpökilpien asennus
- IT** Montaggio delle piastre di irraggiamento
- NL** Stralingsplaten monteren







SE

Montera Powerstone-blocken enligt bilden. Se till att tillräckligt utrymme finns för att motvikten ska kunna röra sig fritt. Testa genom att öppna/stänga luckan.

DE

Montieren Sie den Powerstone-Block gemäß Abbildung. Sorgen Sie für einen ausreichenden Freiraum für die ungehinderte Bewegung des Gegengewichts. Testen Sie dies durch Öffnen/Schließen der Tür.

NO

Monter Powerstone-blokkene som vist på bildet. Sørg for at det er nok plass til at motvekten kan bevege seg fritt. Test ved å åpne/lukke døren.

FR

Montez le bloc de pierres Powerstone selon la figure. Assurez-vous qu'il y a suffisamment d'espace pour permettre au le contrepoids de se déplacer librement. Testez en ouvrant puis en fermant la porte.

GB

Install the Powerstone blocks as illustrated. Ensure there is sufficient space for so that the counterweight can move freely. Test by opening/closing the door.

DK

Monter Powerstone-blokken i henhold til billedet. Sørg for, at der er plads nok til, at modvægten kan bevæge sig frit. Test ved at åbne/lukke lågen.

FI

Asenna Powerstone-harkot kuvan mukaan. Varmista, että vastapainon liikkeelle on riittävästi tilaa. Kokeile avaamalla ja sulkemalla luukku.

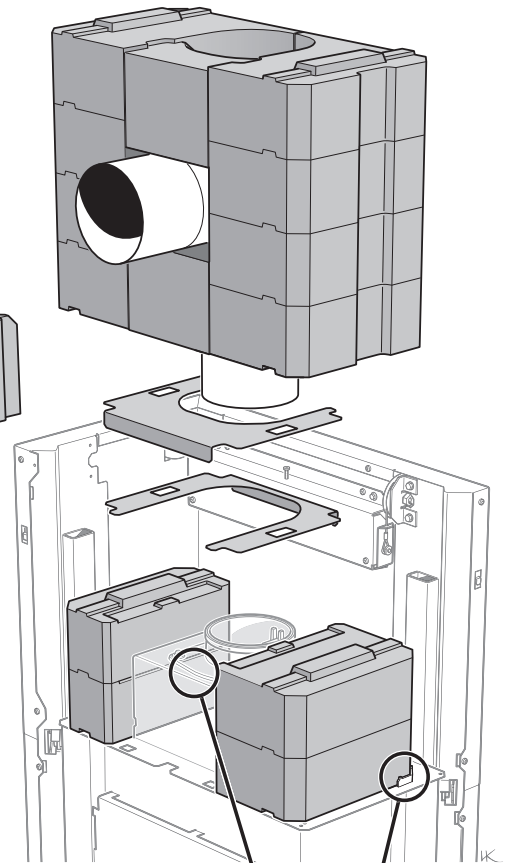
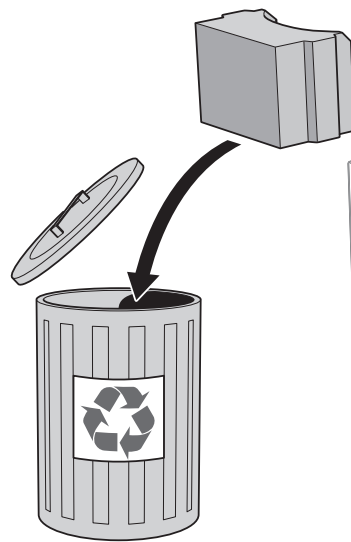
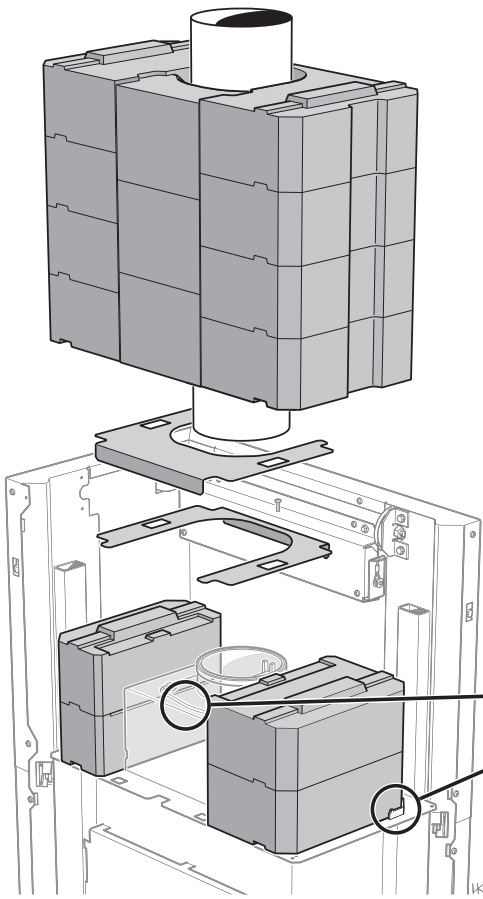
IT

Montare il blocco in Powerstone come da figura. Assicurarsi che vi sia spazio sufficiente per lo scorrimento del contrappeso. Verificarlo aprendo/chiudendo lo sportello.

NL

Monteer het Powerstone-blok zoals aangegeven op de afbeelding. Zorg dat er voldoende ruimte overblijft voor het contragewicht. Test dit door het open/sluiten van de deur.







SE

Självstängande lucka

Insatsen kan förses med självstängande lucka. Kontrollera funktionen, observera att vid eldning kommer självstängningseffekten öka.

DK

Selvlukkende låge

Indsatsen kan udstyres med en selvlukkende låge. Kontroller funktionen, bemærk at selvlukningseffekten forstærkes ved fyring.

FI

Itsesulkeutuva luukku

Takkasydän voidaan varustaa itsesulkeutuvalla luukulla. Tarkasta toiminta, huomaa että itsesulkeutumisvaikutus vahvistuu takkaa lämmitettäessä.

DE

Selbstschließende Tür

Der Einsatz kann mit einer selbstschließenden Tür ausgestattet werden. Kontrollieren Sie beim Heizen die Funktion und achten Sie besonders darauf, dass sich dabei die selbstschließende Wirkung verstärkt.

FR

Porte auto-fermante

L'insert peut être équipé d'une porte auto-fermante. Vérifiez le bon fonctionnement. Veuillez noter que lors d'une flambée, l'effet d'auto-fermeture augmentera.

IT

Sportello con chiusura ammortizzata

L'inserto può essere dotato di sportello ammortizzato. Notare che mentre la stufa è calda l'effetto ammortizzato sullo sportello è maggiore.

NO

Selvlukkende dør

Innsatsen kan utstyres med en selvlukkende dør. Kontroller funksjonen, og merk at ved fyring vil selvlukkingseffekten øke.

GB

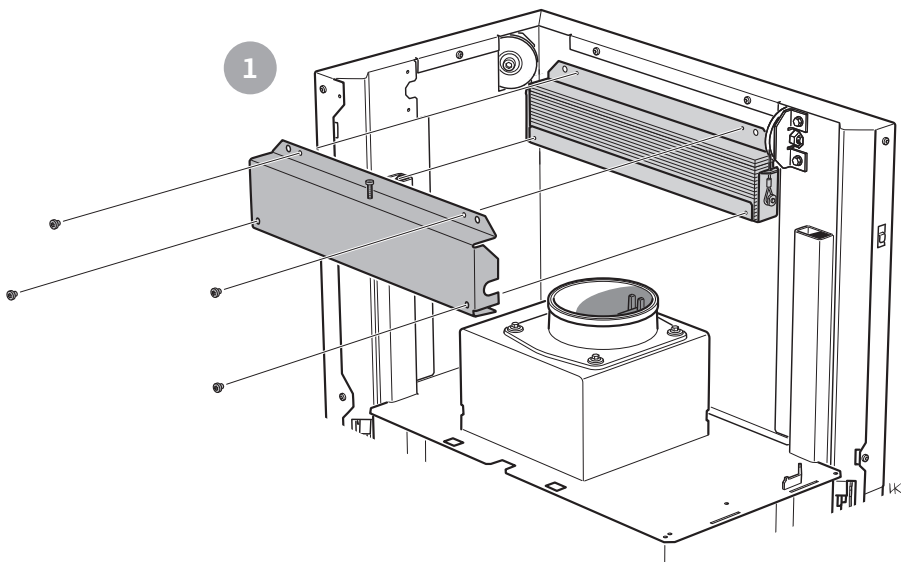
Self-closing door

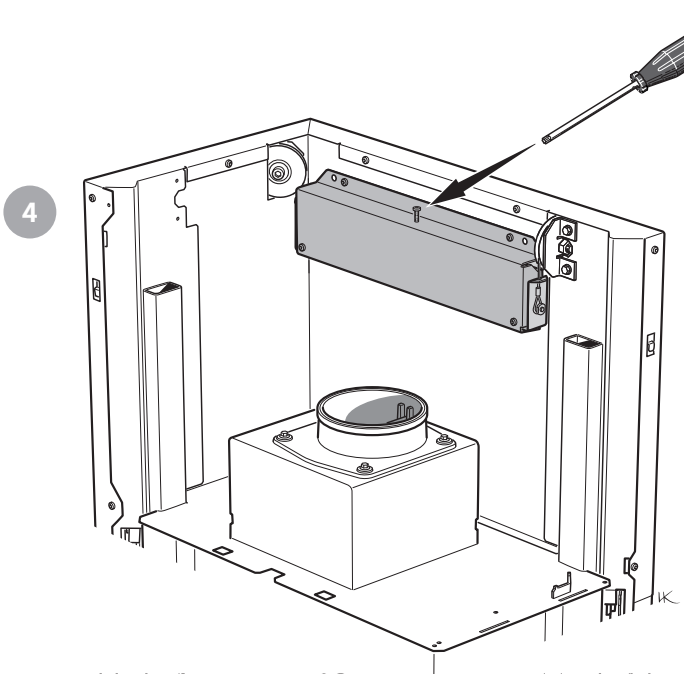
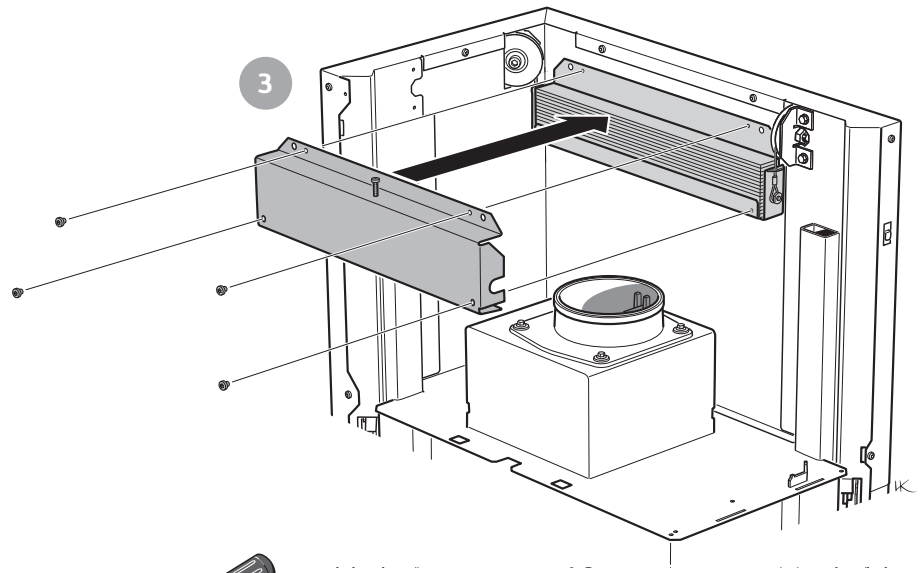
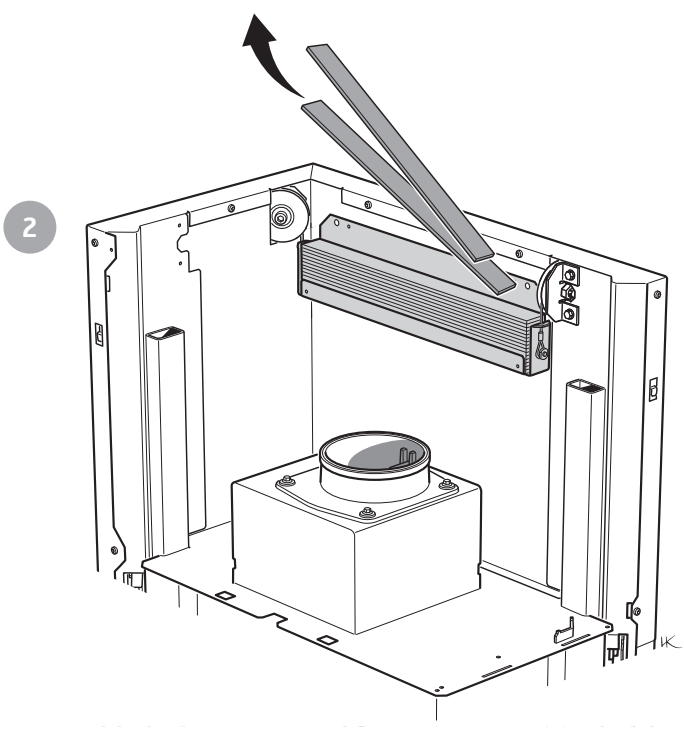
The insert can be supplied with a self-closing door. Check the function, note that during lighting the self-closing effect increases.

NL

Zelfsluitende deur

De inzet kan van een zelfsluitende deur worden voorzien. Controleer of alles naar behoren functioneert en houd er rekening mee dat het zelfsluitende effect bij stoken toeneemt.





811491 IAV SE-EX Ci40-3
2024-03-05

Contura
Contura AB · Box 134 · 285 23 Markaryd · Sweden
contura.eu