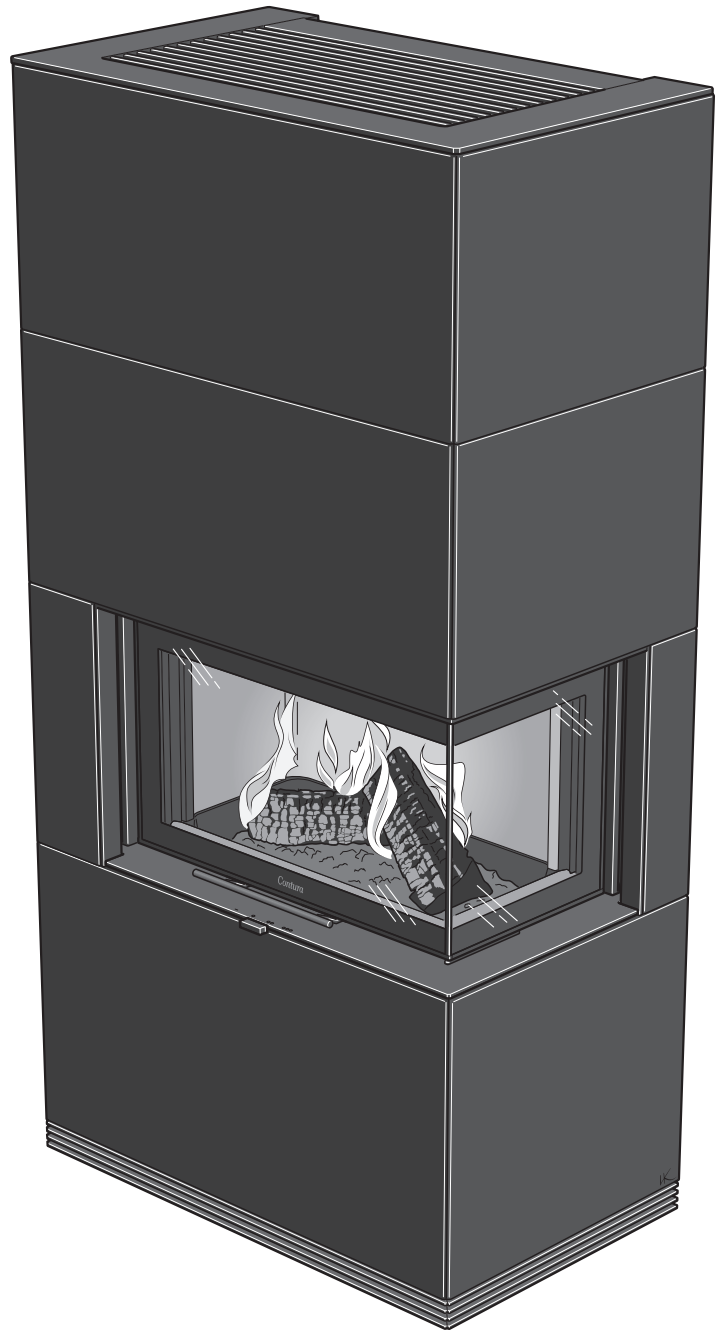
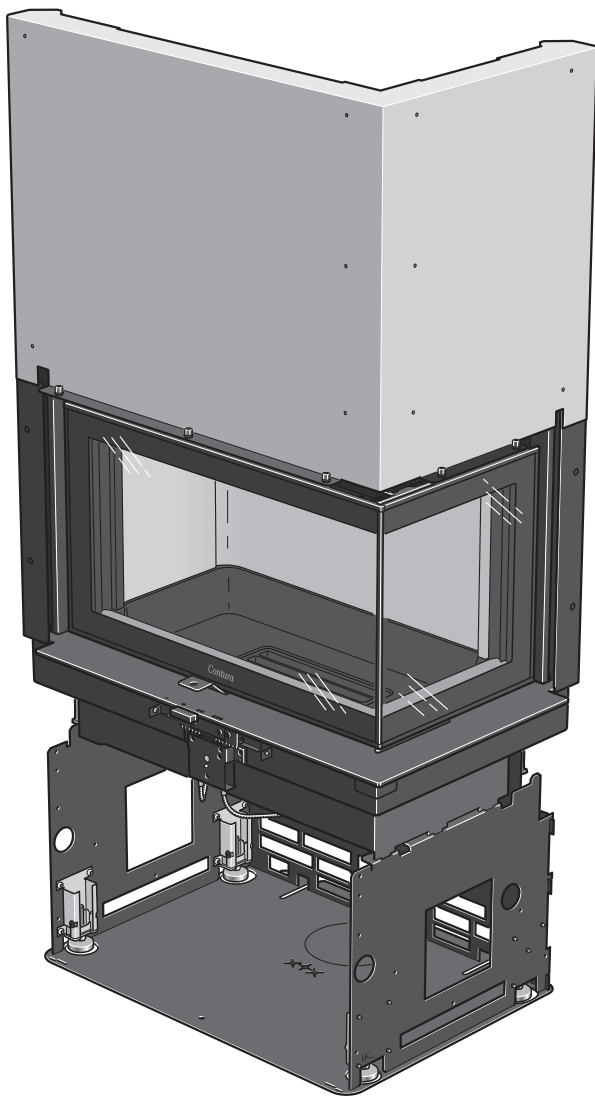


# Contura

i40 / i41



## Operation instructions

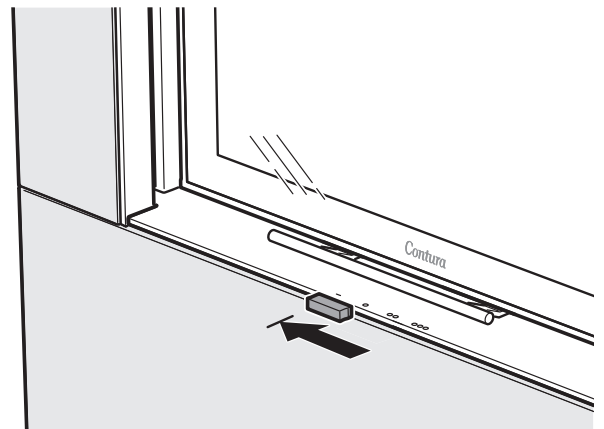
## Lighting in the right way

It is important that the correct amount of wood is used, especially when lighting. If you are lighting the fire for the first time you should use a set of scales to see how much 2 kg kindling is. Also check what the normal and maximum weights look like. Follow the kindling procedure below, after which the insert must be burnt with the door closed because of the risk of smoke entering the room. Always open the door carefully and slowly to prevent blow back because of the changing pressure in the stove. The function of the insert differs depending on the draft conditions in the chimney. Achieving the correct setting for the combustion air damper usually takes a few attempts.



### The damper

This insert has a supply air damper that can be closed completely, position "-". The damper must be in this position for periods when the insert is not used. This prevents air from flowing through the chimney when the stove is not in use, which considerably reduces the risk of condensation and of hot room air escaping through the chimney. During lighting however, the damper must not be in this position because the air supply is shut off completely. It is also strictly forbidden to try to extinguish the stove by closing the damper. Make sure all embers have burned out before the damper is set to position "-".



### Lighting

Note that if too little kindling is used when lighting, or if the wood is too thickly cut, the firebox will not reach the correct operating temperature. Incorrect lighting can lead to poor combustion with heavy sooting.

If the house has mechanical ventilation, it may be necessary to open a window near to the fireplace prior to lighting. Leave the window open for a few minutes until the fire has caught properly.

1. Open the damper completely to max.
2. Use 10-12 pieces of varying sizes of kindling, weighing about 2 kg together, to get the fire started. Prepare the fire by stacking the kindling in a criss-cross pattern. Start with the largest pieces at the bottom and finish with the smallest kindling on the top. Place the firelighter in the centre.
3. Light the fire and close the door completely.

### Kindling:

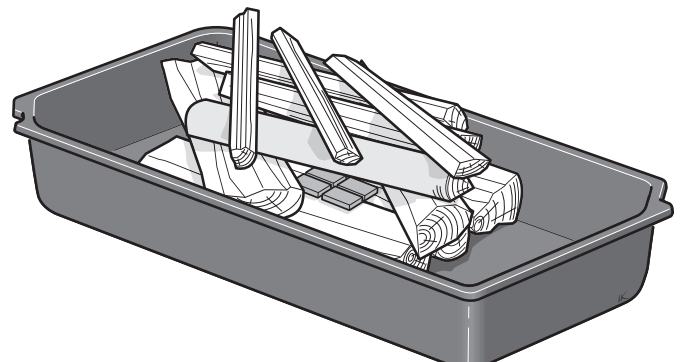
#### Finely chopped wood

Length: 25-35 cm

Diameter: 3-5 cm

Weight per lighting: 2 kg

(approx. 10-12 finely chopped pieces)



## Adding wood

The first load of logs after lighting should not be put on until the start-up fire has turned to embers and no yellow flames are visible.

1. Open the door.
2. Place one log diagonally on the bottom and the other log across the top of it.
3. The damper must be completely open until the logs turn black and catch fire. This can take about 3- 5 min. The damper can then be closed. The conditions for controlling combustion vary depending on the firebox temperature, the moisture content of the wood and the draft in the chimney.
4. A nominal output of 7 kW is obtained when the combustion air damper is at 2 dots. 2 logs with a combined weight of 1,8 kg can be added at the same time every 50 minutes.
5. The lowest output is obtained when the combustion air damper is at 1 dot and 2 logs are lit. In this operating position, it is important that the combustion air damper is fully open for the first 3-5 minutes so that the wood has time to burn properly before the supply of combustion air is reduced. A condition for regulating the output is a thick bed of embers and high temperature in the firebox.
6. The damper is fitted with a boost function, which supplies additional air when the damper is fully open. This function makes lighting the fire easier and can also be used when adding logs. Note that burning with the damper fully open results in poorer combustion, lower efficiency and shortens the service life of the insert. Try to burn with nominal heat output in accordance with point 4 above.

When the fire has died down to embers, and no yellow flames are visible, more wood should be added.

## Feeding Wood:

### Split logs

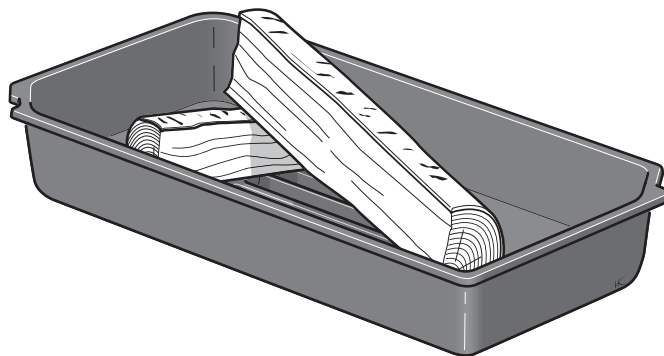
Length: 25-50 cm

Diameter: 6-9 cm

Normal weight: 2.2 kg/hour

Max amount: 3 kg/hour

(max 2 pieces per load. Max 3 kg per insertion).

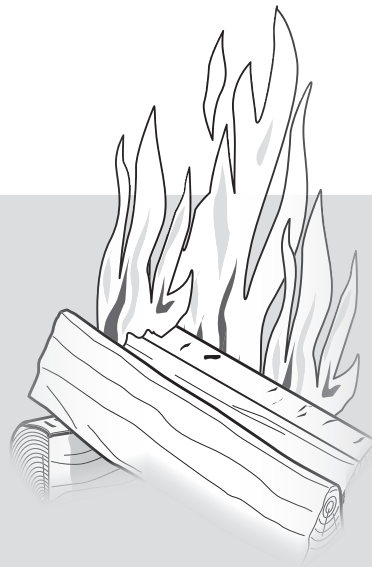


## QUICK LIGHTING

It is important that the wood catches fire quickly. Quick lighting is achieved by opening the combustion air damper fully for a moment. Smoulder combustion produces a lot of smoke and, in the worst instance, can cause quick gas ignition resulting in damage to the insert.

### LIGHTING FOR THE FIRST TIME

The insert will emit an odour of excess paint and oil coating that may remain on the panels. The odour will disappear completely after several fires.



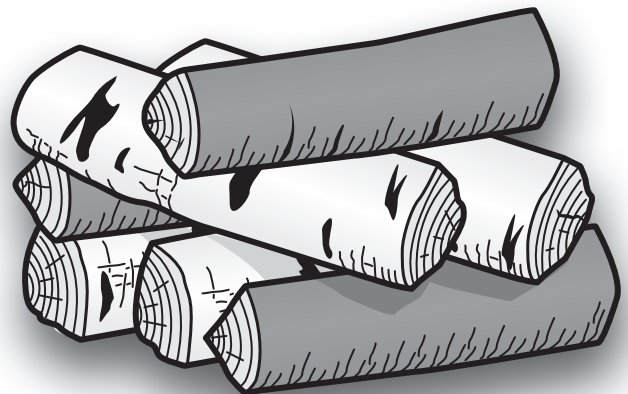
### Choosing fuel

All types of wood, such as birch, beech, oak, elm, ash, conifers and fruit trees can be used as fuel in the insert. Different types of trees have different densities, the greater the density of the wood the greater the energy value. Oak, beech and birch have the highest density.

### The wood's moisture content

Fresh wood is about 50 per cent water. Some of the water circulates freely between the fibres and some of the water is bound in the cells. The wood must always be dried so that the free water evaporates. The timber is ready for use when the moisture content has fallen below 20 %. If wood with a higher moisture content is lit, a large part of the energy content of the wood is used boiling off the water. If the wood is damp, the combustion is also poor, layers of soot and tar build up in the chimney and could, at worst, lead to a chimney fire. In addition, it causes the glass of the insert to soot and may cause discomfort to those living nearby. To ensure thoroughly dry wood, the wood should be cut in the winter and stored, well aired, under a roof.

Never cover the woodpile with a tarpaulin to the ground. The tarpaulin will then act as a sealed cover and the wood will be prevented from drying. Always store a small amount of wood indoors for several days before use, so that the surface moisture has time to evaporate.





### Do NOT burn the following

Under no circumstances may fossil fuels, pressure impregnated wood, painted or glued wood, chipboard, plastic or colour brochures be used as fuel. All these materials can create hydrochloric acid and heavy metals that are damaging both to the environment and the hearth. Hydrochloric acid can also attack the steel in the chimney or the mortar in a stone built chimney. Also avoid using bark, woodchips or other extremely finely chopped wood except for lighting. Fuel of this type causes flashover resulting in too high output.

### Candles

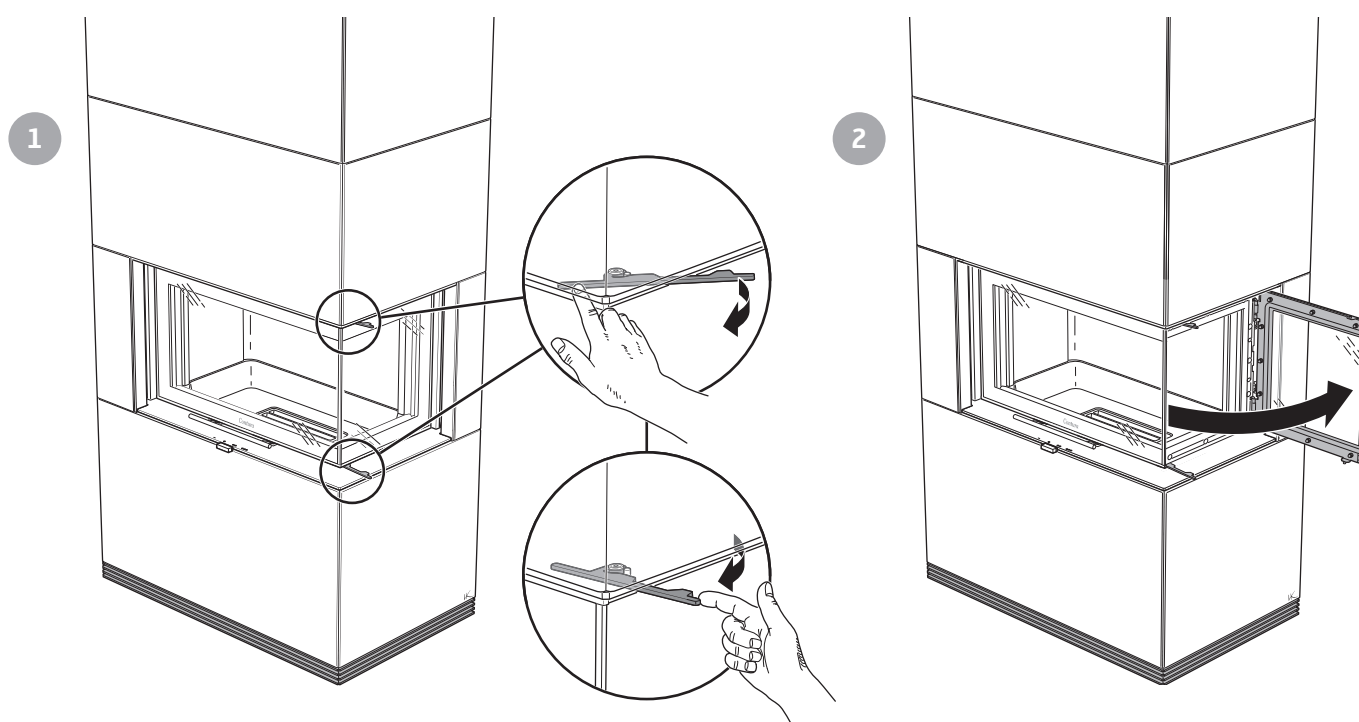
Do not use old candle stubs as fuel. Melted wax runs down into the stove's damper system and makes the stove unusable. Repairs for this are very expensive.

### NOT TOO BIG FIRES

The firebox in your insert is relatively large. It is, however, prohibited to load it full of wood. Adding more logs than recommended leads to flashover with oxygen deficiency, which results in: Sooted glass, too high an energy output that can damage the inserts/surround, thick smoke and high flue gas temperatures that can damage the chimney. Recommended amount of wood for normal lighting is 2.2 kg/hour and the maximum permitted amount of wood is 3 kg/hour, max 3 kg of wood per insertion and covers lighting with a maximum of 2 pieces of chopped birchwood

or other broad leaf wood with a moisture content of about 18% per load. When lighting with the same wood amounts as above but with, for example, conifer wood, higher firebox temperatures are achieved. The service life of the insert can be cut short if the fire is left at full combustion for long periods, and if the maximum permitted amount of wood is exceeded, parts in the insert can become damaged thus invalidating the warranty.

### Opening sidelights



## FIREBOX MAINTENANCE

The glass may become sooty with use, even if the insert is lit with dry wood with a moisture content of 15 – 20%. Regular cleaning with dry paper is usually sufficient to keep it clean. If the soot has been on the glass for a long time, dip the damp paper into the soft, none abrasive ashes and wipe clean. Ash and water will remove the soot. This is the only cleaning method we recommend. Detergents and special soot removes/fireplace glass cleaner are available from supermarkets, DIY shops and local stove dealer, we do not recommend these. Never use cleaning agents that contain abrasives or that have a corrosive effect on printed or painted glass. These may damage the glass/paintwork. Do not use cleaning products containing sodium hydroxide because of their corrosive effect on sealing strips.

When the ash level in the ash box has reached the square holes, empty the ash box. When emptying the ash box, ensure that there are no glowing embers. Lift the grate and fold it back (see the illustration). The ash-pan can then be lifted straight up. The ash must be stored in a fireproof container with a lid for at least one week before being disposed of. The grate and other cast iron components can be cleaned using a wirebrush.

Normal maintenance includes lifting out the hearth cladding and

removing any ash that has fallen beneath and behind the base plates. This should be done once a year.

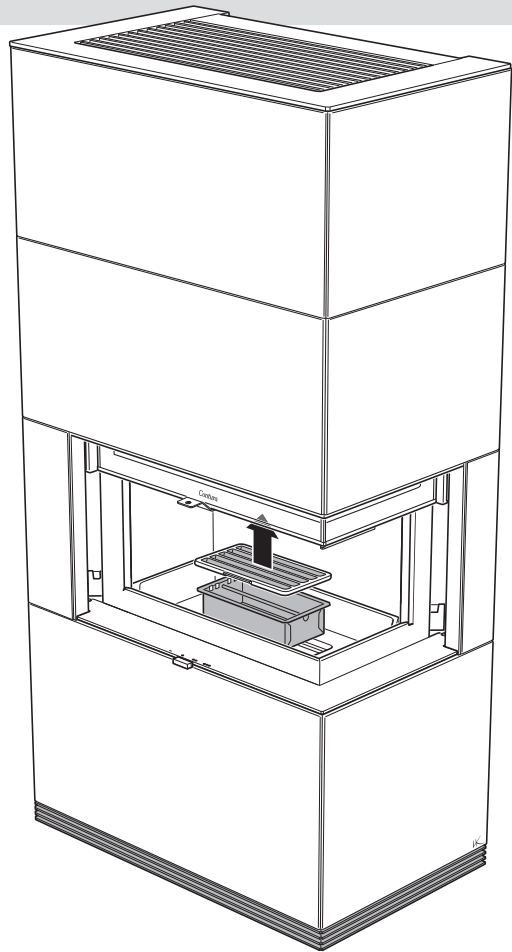
It is important from a combustion point of view to check gaskets, as worn gaskets hinder combustion when the fireplace draws "extra air".

Painted parts of the insert can be cleaned using a damp cloth, with a small amount of detergent, if necessary. Damage to painted parts, e.g. small scratches, can be rectified with Contura touch-up paint. Contact your dealer.

As there is a constant large flow of air through the insert's surround, cold room air is drawn in and hot air released, dust can collect in the surround's air intakes. Therefore, these should be regularly cleaned.

Parts located near the actual seat of the fire may require replacing. Examples of such parts are the firebox panels and grate. The service life of these parts depends on how much and how the insert is used.

Only use spare parts recommended by Contura.



# UK Smoke control areas

The Contura i40 and i41, 6 kW woodburning stoves has been recommended as suitable for use in smoke control areas. This when burning wood logs and operated in accordance with these instructions and when fitted with a mechanical stop to prevent closure of the air control vent beyond the 19% open position when sold into smoke control areas.

## THE CLEAN AIR ACT 1993 AND SMOKE CONTROL AREAS

Under the Clean Air Act local authorities may declare the whole or part of the district of the authority to be a smoke control area. It is an offence to emit smoke from a chimney of a building, from a furnace or from any fixed boiler if located in a designated smoke control area. It is also an offence to acquire an "unauthorised fuel" for use within a smoke control area unless it is used in an "exempt" appliance ("exempted" from the controls which generally apply in the smoke control area).

In England appliances are exempted by publication on a list by the Secretary of State in accordance with changes made to sections 20 and 21 of the Clean Air Act 1993 by section 15 of the Deregulation Act 2015. Similarly in Scotland appliances are exempted by publication on a list by Scottish Ministers under section 50 of the Regulatory Reform (Scotland) Act 2014.

In Wales and Northern Ireland these are authorised by regulations made

by Welsh Ministers and by the Department of the Environment respectively. Further information on the requirements of the Clean Air Act can be found here: <https://www.gov.uk/smoke-control-area-rules>

Your local authority is responsible for implementing the Clean Air Act 1993 including designation and supervision of smoke control areas and you can contact them for details of Clean Air Act requirements

## CO Alarms

Building regulations require that when ever a new or replacement fixed solid fuel or wood/biomass appliance is installed in a dwelling a carbon monoxide alarm must be fitted in the same room as the appliance. Further guidance on the installation of the carbon monoxide alarm is available in BS EN 50292:2002 and from the alarm manufacturer's instructions. Provision of an alarm must not be considered a substitute for either installing the appliance correctly or ensuring regular servicing and maintenance of the appliance and chimney system.

## HEALTH AND SAFETY PRECAUTIONS

Special care must be taken when installing the stove such that the requirements of the Health and Safety at Work Act are met.

### Handling

Adequate facilities must be available for loading, unloading and site handling.

### Fire Cement

Some types of fire cement are caustic and should not be allowed to come into contact with the skin. In case of contact wash immediately with plenty of water.

### Asbestos

This stove contains no asbestos. If there is a possibility of disturbing any asbestos in the course of installation then please seek specialist guidance and use appropriate protective equipment.

### Metal Parts

When installing or servicing this stove care should be taken to avoid the possibility of personal injury.

## STOVE PERFORMANCE

Refer to the manufacturer's main instruction manual for details of the stove's performance.

## PREPARATORY WORK AND SAFETY CHECKS

### Important Warning

This stove must not be installed into a chimney that serves any other heating appliance.

There must not be an extractor fan fitted in the same room as the stove as this can cause the stove to emit fumes into the room.

## Chimney

In order for the stove to perform satisfactorily the chimney height must be sufficient to ensure an adequate draught of approximately 15 Pa so as to clear the products of combustion and prevent smoke problems into the room.

NOTE: A chimney height of not less than 4.5 metres measured vertically from the outlet of the stove to the top of the chimney should be satisfactory. Alternatively the calculation procedure given in EN 13384-1 may be used as the basis for deciding whether a particular chimney design will provide sufficient draught. BS EN 15287-1:2007 gives additional details.

The outlet from the chimney should be above the roof of the building in accordance with the provisions of Building Regulations Approved Document J.

If installation is into an existing chimney then it must be sound and have no cracks or other faults which might allow fumes into the house. Older properties, especially, may have chimney faults or the cross section may be too large i.e. more than 230 mm x 230 mm. Remedial action should be taken, if required, seeking expert advice, if necessary. If it is found necessary to line the chimney then a flue liner suitable for solid fuel must be used in accordance with Building Regulations Approved Document J.

Any existing chimney must be clear of obstruction and have been swept clean immediately before installation of the stove. If the stove is fitted in place of an open fire then the chimney should be swept one month after installation to clear any soot falls which may have occurred due to the difference in combustion between the stove and the open fire.

If there is no existing chimney then any new system must be to the designation described above and in accordance with Building Regulations Approved Document J.

A single wall metal fluepipe is suitable for connecting the stove to the chimney but is not suitable for use as the complete chimney. The chimney and connecting fluepipe must have a minimum diameter of 150 mm and its dimension should be not less than the size of the outlet socket of the stove.

Any bend in the chimney or connecting fluepipe should not exceed 45°. 90° bends should not be used. Combustible material should not be located where the heat dissipating through the walls of fireplaces or flues could ignite it. Therefore when installing the stove in the presence of combustible materials due account must be taken of the guidance on the separation of combustible material given in Building Regulations Approved Document J and also in these stove instructions.

If it is found that there is excessive draught in the chimney then a draught stabiliser should be fitted. Fitting of a draught stabiliser will affect the requirement for the permanent air supply into the room in which the stove is fitted in accordance with Approved Document J (see also combustion air supply).

Adequate provision e.g. easily accessible soot door or doors must be provided for sweeping the chimney and connecting fluepipe where it is not intended for the chimney to be swept through the appliance.

## Hearth

The hearth should be level and able to accommodate the weight of the stove and its chimney if the chimney is not independently supported. The weight of the stove is indicated in the brochure.

The stove should preferably be installed on a non-combustible hearth of a size and construction that is in accordance with the provisions of the current Building Regulations Approved Document J.

The clearance distances to combustible material beneath, surrounding or upon the hearth and walls adjacent to the hearth should comply with the guidance on the separation of combustible material given in Building Regulations Approved Document J and also in these stove instructions.

If the stove is to be installed on a combustible floor surface, it must be covered with a non-combustible material at least 12mm thick, in accordance with Building Regulations Approved Document J, to a distance of 30 cm in front of the stove and 15 cm to each side measuring from the door of the combustion chamber.

## Combustion air supply

In order for the stove to perform efficiently and safely there must be an adequate air supply into the room in which the stove is installed to provide combustion air. The provision of air supply to the stove must be in accordance with current Building Regulations Approved Document J. Special attention should be taken in newer build properties where the design air permeability is less than 5m<sup>3</sup>/h.m<sup>2</sup>. Approved Document J gives more information on this. An opening window is not appropriate for this purpose.

**The fitting of an external air kit direct to outside air must not be considered substitute for installing the appliance with a permanently open air vent in compliance with ventilation requirements stated in Approved Document J. Please reference ADJ for further guidance.**

## Connection to chimney

Stoves may have a choice of either a rear or top flue gas connector that allows connection to either a masonry chimney or a prefabricated factory made insulated metal chimney in accordance with their instructions. In some cases it may be necessary to fit an adaptor to increase the diameter of the flue to the minimum required 150 mm section of the chimney or liner.

All joints in the connection between the stove and the chimney must be made gastight using fire cement and where necessary fire-proof rope infill. Means should be made for sweeping the entire length of the flue, be that through the appliance or by suitable sweeping hatch in the flue.

## Commissioning and handover

Ensure all parts are fitted in accordance with the instructions.

On completion of the installation allow a suitable period of time for any fire cement and mortar to dry out, before lighting the stove. Once the stove is under fire check all seals for soundness and check that the flue is functioning correctly and that all products of combustion are vented safely to atmosphere via the chimney terminal.

On completion of the installation and commissioning ensure that the operating instructions for the stove are left with the customer. Ensure to advise the customer on the correct use of the appliance and warn them to use only the recommended fuel for the stove.

Advise the user what to do should smoke or fumes be emitted from the stove. The customer should be warned to use a fireguard to BS 8423:2002 (Replaces BS 6539) in the presence of children, aged and/or infirm persons.



## WARNING NOTE

Properly installed, operated and maintained this stove will not emit fumes into the dwelling. Occasional fumes from de ashing and re fuelling may occur. However, persistent fume emission is potentially dangerous and must not be tolerated. If fume emission does persist, then the following immediate action should be taken:

- (A) Open doors and windows to ventilate the room and then leave the premises.
- (B) Let the fire go out.
- (C) Check for flue or chimney blockage and clean if required
- (D) Do not attempt to relight the fire until the cause of the fume emission has been identified and corrected. If necessary seek expert advice.

The most common cause of fume emission is flueway or chimney blockage. For your own safety these must be kept clean at all times.

## IMPORTANT NOTES

### General

Before lighting the stove check with the installer that the installation work and commissioning checks described above have been carried out correctly and that the chimney has been swept clean, is sound and free from any obstructions. As part of the stoves' commissioning and handover the installer should have shown you how to operate the stove correctly.

### CO Alarm

Your installer should have fitted a CO alarm in the same room as the appliance. If the alarm sounds unexpectedly, follow the instructions given under "Warning Note" above.

### Air Controls

Manually operated air control can be managed by adjusting the air control valve to increase/decrease the air flow to the stove.

### Use of fireguard

When using the stove in situations where children, aged and/or infirm persons are present a fireguard must be used to prevent accidental contact with the stove. The fireguard should be manufactured in accordance with BS 8423:2002.

### Chimney cleaning

The chimney should be swept at least twice a year. It is important that the flue connection and chimney are swept prior to lighting up after a prolonged shutdown period.

If the stove is fitted in place of an open fire then the chimney will require sweeping after a month of continuous operation. This is a precaution to ensure that any "softer" deposits left from the open fire usage have not been loosened by the higher flue temperatures generated by the closed stove. In situations where it is not possible to sweep through the stove the installer will have provided alternative means, such as a soot door. After sweeping the chimney the stove flue outlet and the flue pipe connecting the stove to the chimney must be cleaned with a flue brush.

### Periods of Prolonged Non-Use

If the stove is to be left unused for a prolonged period of time then it should be given a thorough clean to remove ash and unburned fuel residues. To enable a good flow of air through the appliance to reduce condensation and subsequent damage, leave the air controls fully open.

### Extractor fan

There must not be an extractor fan fitted in the same room as the stove as this can cause the stove to emit smoke and fumes into the room.

### Aerosol sprays

Do not use an aerosol spray on or near the stove when it is alight.

### Use of operating tools

Always use the operating tools provided when handling parts likely to be hot when the stove is in use.

### Chimney Fires

If the chimney is thoroughly and regularly swept, chimney fires should not occur. However, if a chimney fire does occur turn off the stove immediately and isolate the mains electricity supply (if applicable), and tightly close the doors of the stove. This should cause the chimney fire to go out. If the chimney fire does not go out when the above action is taken then the fire brigade should be called immediately. Do not relight the stove until the chimney and flueway have been cleaned and examined by a professional.

### Permanent air vent

The stove requires a permanent and adequate air supply in order for it to operate safely and efficiently.

In accordance with current Building Regulations the installer may have fitted a permanent air supply vent into the room in which the stove is installed to provide combustion air. This air vent should not under any circumstances be shut off or sealed.

### Refuelling on to a low fire bed:

If there is insufficient burning material in the firebed to light a new fuel charge, excessive smoke emission can occur. Refuelling must be carried out onto a sufficient quantity of glowing embers and ash that the new fuel charge will ignite in a reasonable period. If there are too few embers in the fire bed, add suitable kindling to prevent excessive smoke.

### Fuel overloading:

The maximum amount of fuel specified in this manual should not be exceeded, overloading can cause excess smoke.

## USER OPERATING INSTRUCTIONS

Please read the important notices given above before referring to the main instruction book for detailed operating instructions.

### Recommended fuels:

Use wood logs with length 25-50 cm and diameter 6-9 cm. Two wood logs with total weight of 1,8 kg and a refueling interval of 50 minutes will achieve the nominal rated output.

Wood logs should be seasoned with a moisture content of around 20%.

### Operation with door left open:

Operation with the door open can cause excess smoke. The appliance must not be operated with the appliance door left open except as directed in the instructions.

### Dampers left open

Operation with the air controls or appliance dampers open can cause excess smoke. The appliance must not be operated with air controls, appliance dampers or door left open except as directed in the instructions.

# Possible causes of malfunctions and how to rectify them

## There is poor draft in the insert after new installation

- Check the dimensions of the chimney so that they correspond to the ones stated in the installation instructions.
- Check that there is nothing in the chimney to restrict the smoke and that no nearby buildings or trees affect the winds around the chimney.

## It is difficult to light the fire and the fire dies after a short time

- The wood may not be dry enough, check the wood.
- Another reason is that there may be negative pressure in the house, for example when using a kitchen extractor fan or other mechanical ventilation.  
Open a window near the hearth before lighting the fire.  
Try lighting some newspaper and holding it up inside the firebox to get the draft going.
- Check that the combustion air damper is open fully.
- Check that the ash box is not overfilled. An overfilled ash box will block parts of the fireplace's air supply.
- After sweeping, the smoke outlet of the fireplace may become blocked by soot. Lift the smoke baffle out and check.
- Finally, go through the lighting instructions again. Perhaps the amount of kindling was too small and therefore the base embers were too weak and too cold to light the next load of wood.

## Abnormal amounts of soot form on the glass

There is always a certain amount of soot on the glass and this is added to with each lighting. Soot on the glass is caused by three things:

- The wood is damp, which causes poor combustion and generates a lot of smoke as a result.
- Too low temperature in the firebox, which causes incomplete combustion and poor draft in the chimney.

## Smoke odour around the hearth for periods

This can occur when wind blows down the chimney and most often occurs when the wind is from a particular direction. Another cause can be that if the door is opened before the chimney has become hot and the necessary draft achieved.

## Painted parts have become discoloured

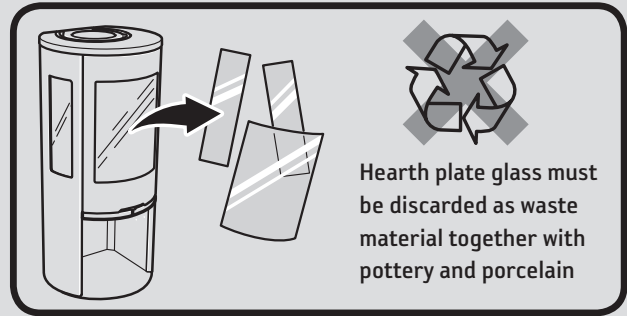
If painted parts have discoloured it is due to excessive temperature in the firebox. The reason for the excessive temperature can be that the maximum amount of wood has been exceeded, inappropriate fuel has been used (for example building waste, large quantities of finely chopped off cuts).

The warranty does not cover damage of this type. If a problem occurs that you cannot rectify yourself, contact the dealer or a chimney sweep.

We hope that these lighting tips give you enjoyable, economical and problem free use of your Contura insert.

### Managing waste

The stove packaging is cardboard, wood and a small amount of plastic. The materials must be sorted and recycled.



- During operation, the surfaces of the insert become very hot and can cause burn injury if touched.
- Also, take heed of the strong heat radiated through the door glass.
- Placing flammable material closer than the safe distance indicated may cause a fire.
- Smoulder combustion can cause quick gas ignition with the risk of damage to property and personal injury.
- The ash-pan must be emptied when it is full. If this is not done, the air supply can become blocked, resulting in poor function. In serious cases, ash can find its way out through the damper.
- The product must not be modified.

### SWEEPING

Sweeping the chimney ducts and chimney connections should be carried out by a chimney sweep. Sweep the insert by scraping and/or brushing. A soot vacuum cleaner is most appropriate however. To access the convection stop's inner parts, the smoke baffle and diffuser must be removed. Refer to the installation instructions. If a chimney fire occurs or is suspected, the combustion damper and the door must be closed. If necessary, contact the fire brigade to extinguish it. The chimney must always be inspected by a chimney sweep after a chimney fire.









# *Contura*

NIBE AB · Box 134 · 285 23 Markaryd · Sweden  
[contura.eu](http://contura.eu)

Contura reserves the right to change dimensions and procedures described in these instructions at any time without special notice. The current edition can be downloaded from [www.contura.eu](http://www.contura.eu)