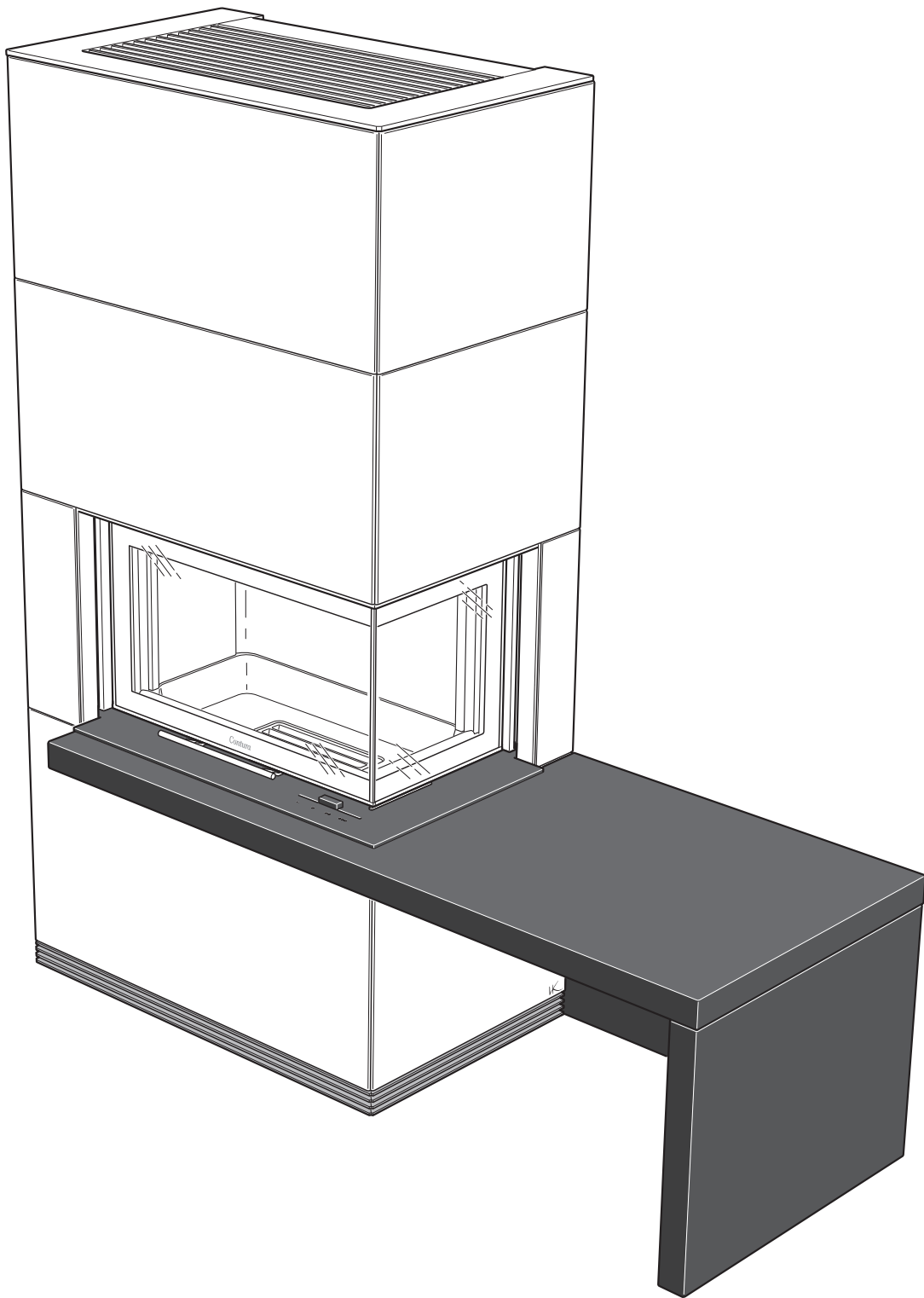


# Contura

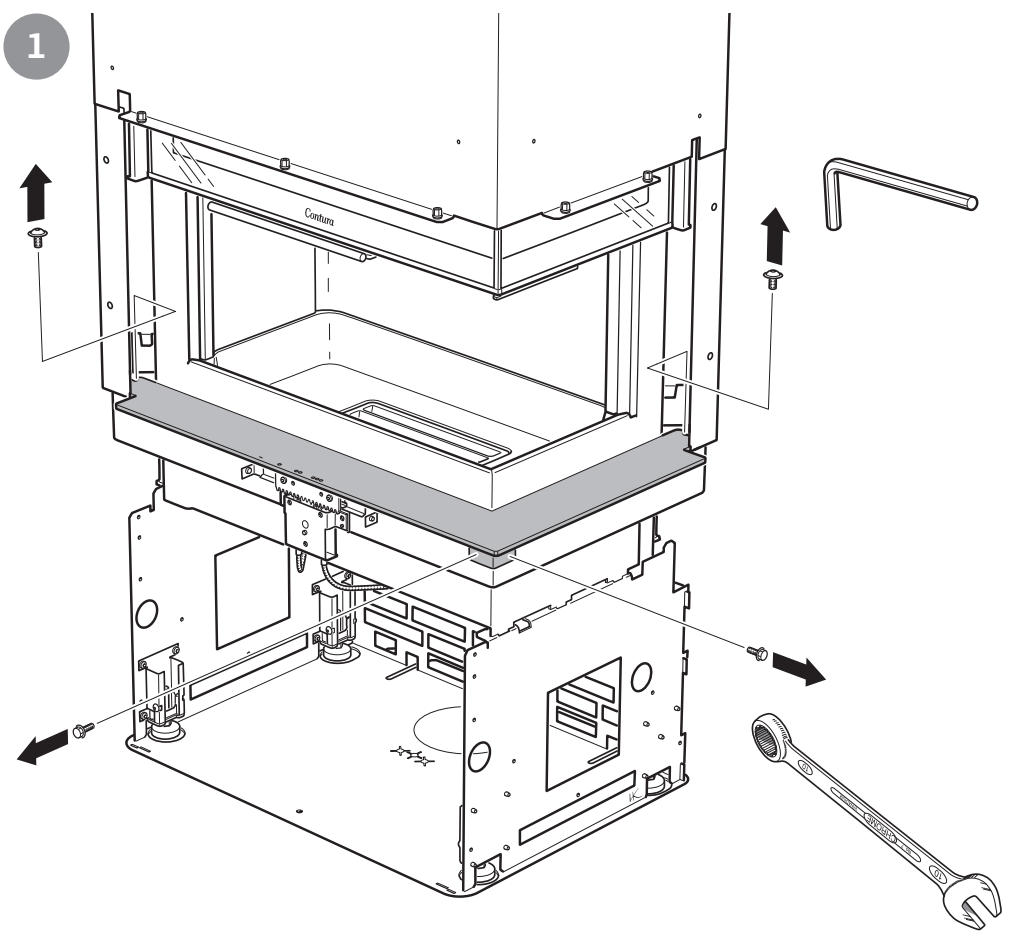
i41



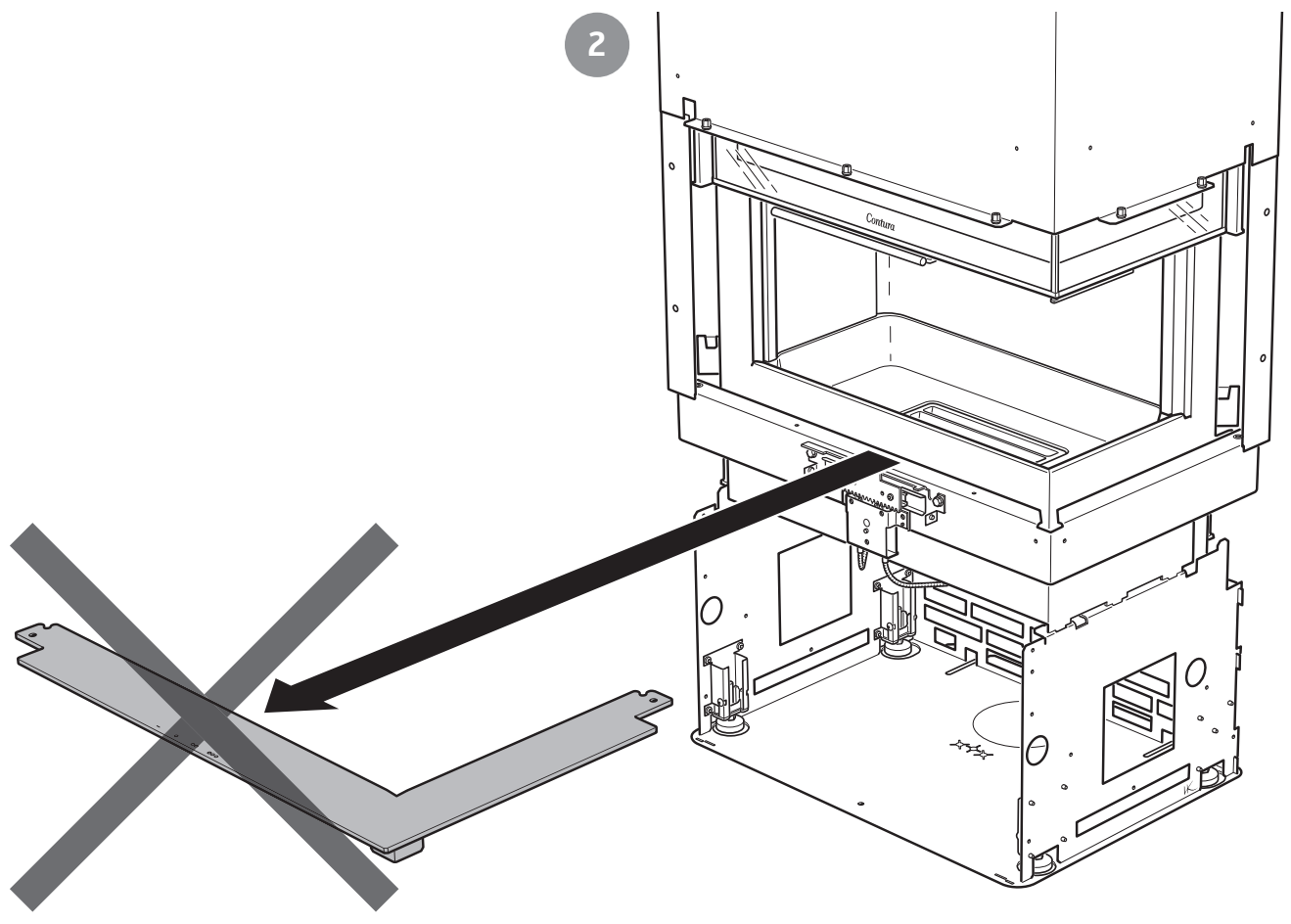
## Installation instruction Steel bench



2



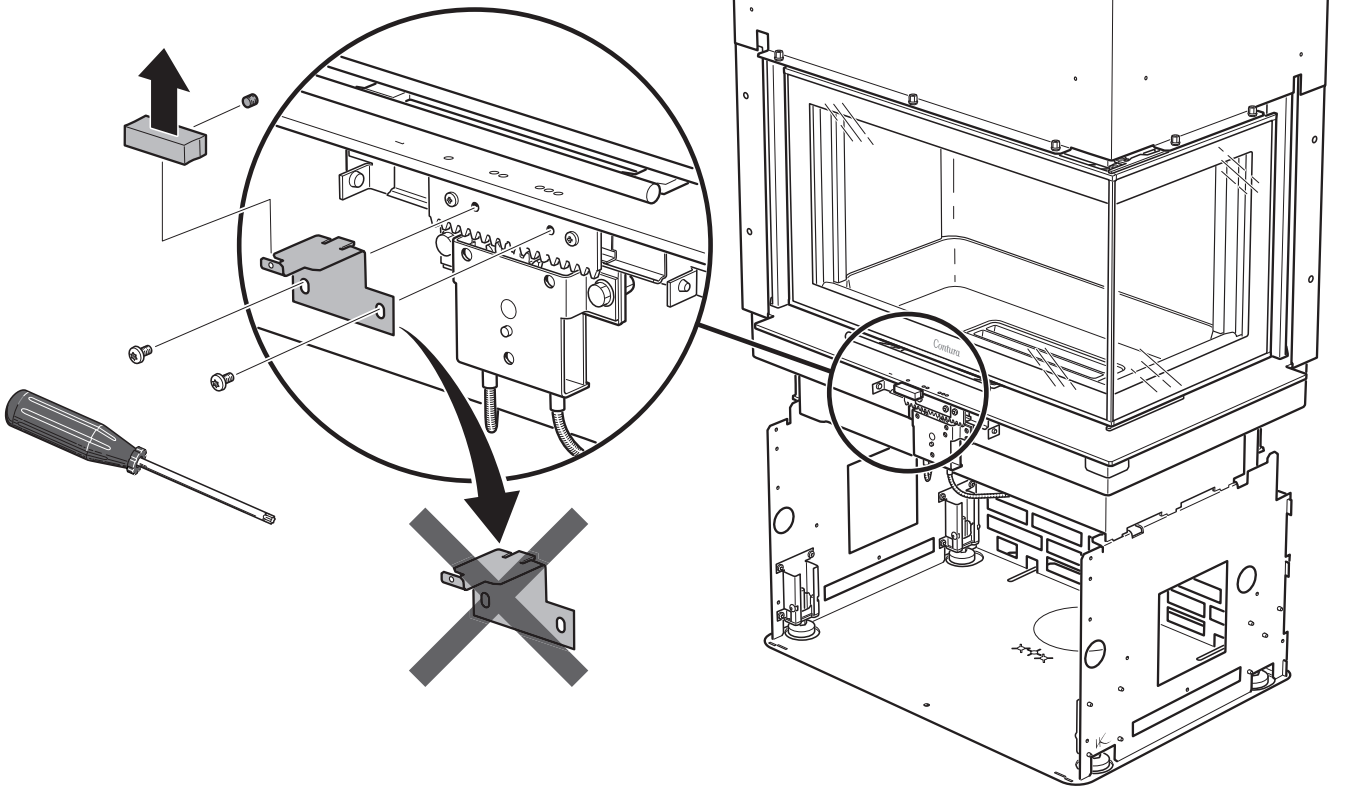
2





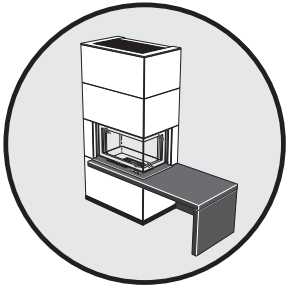
3

Allen key 2

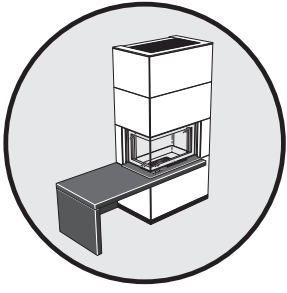
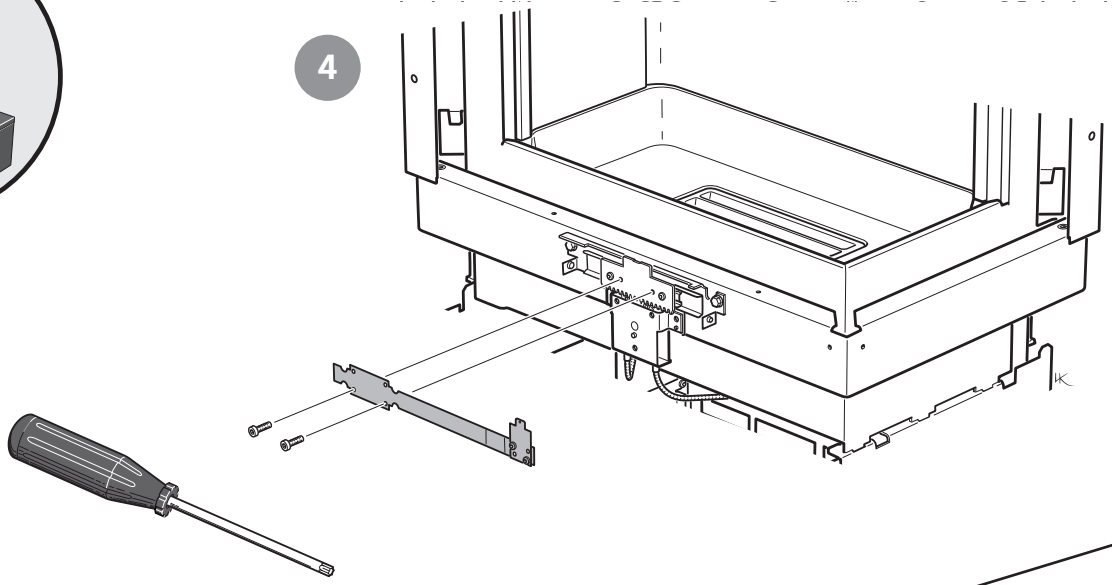




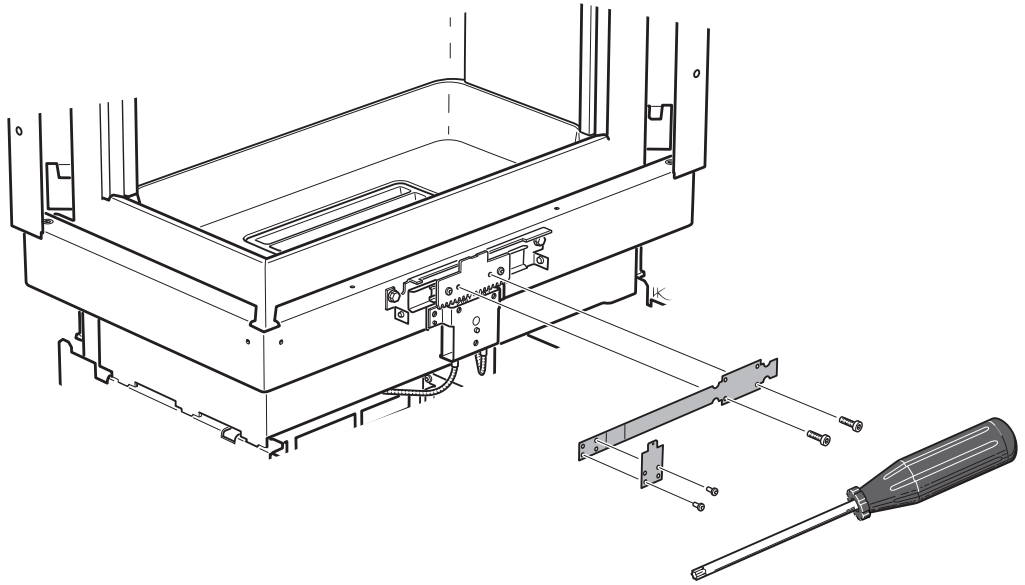
4



4

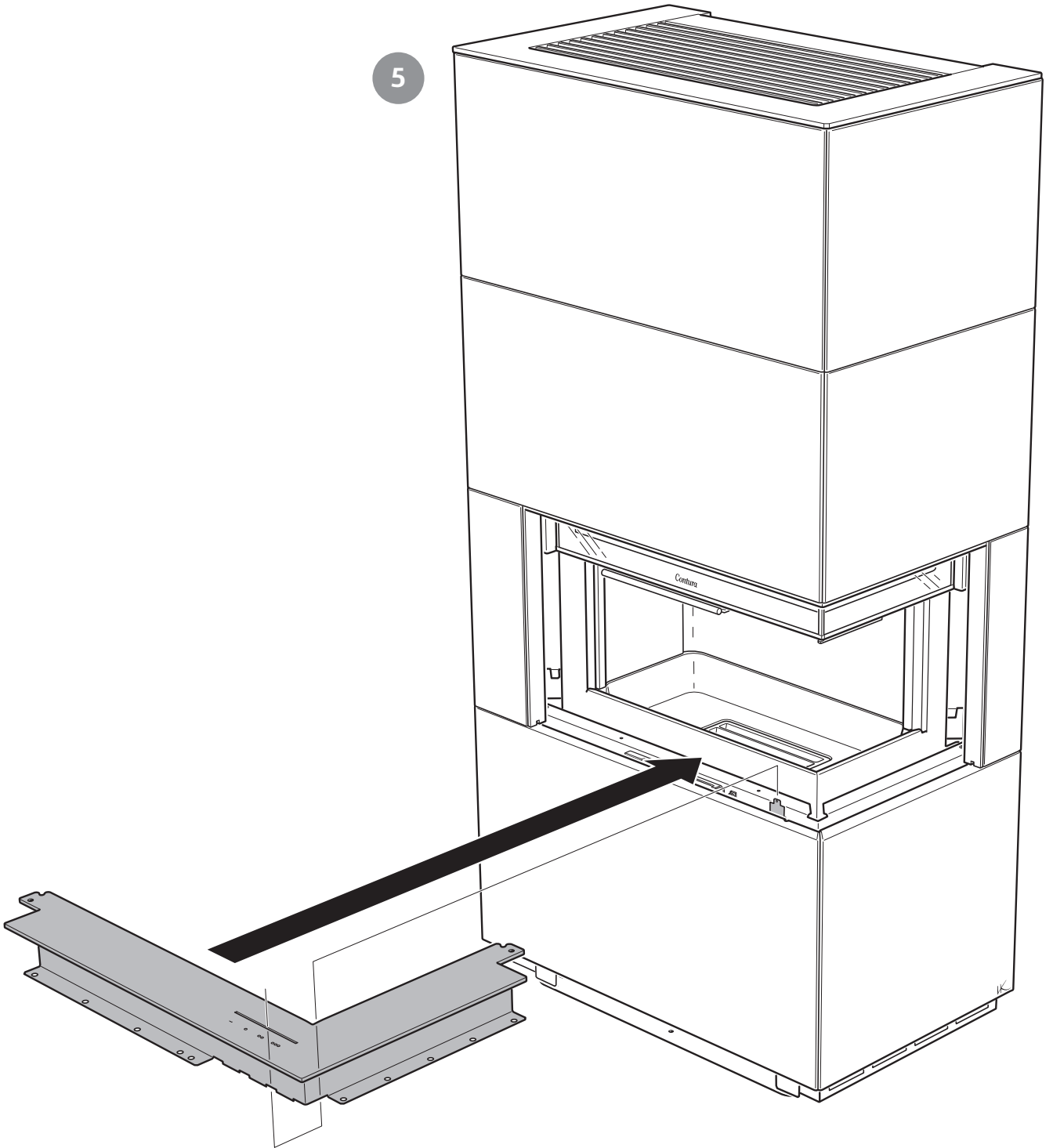


4





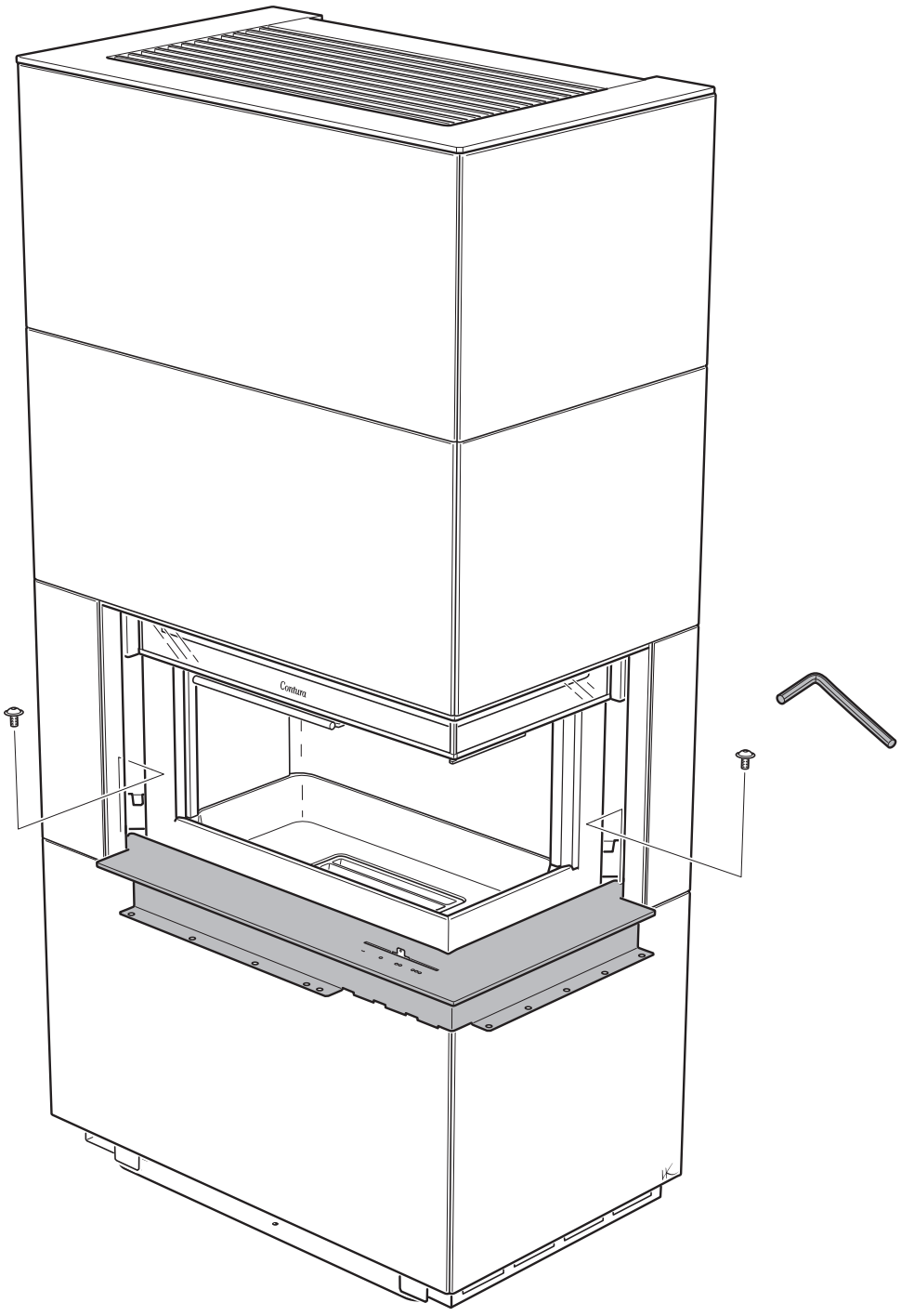
5





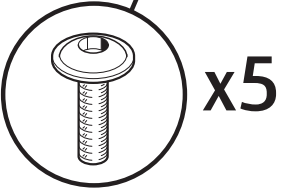
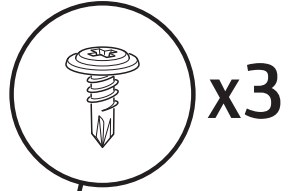
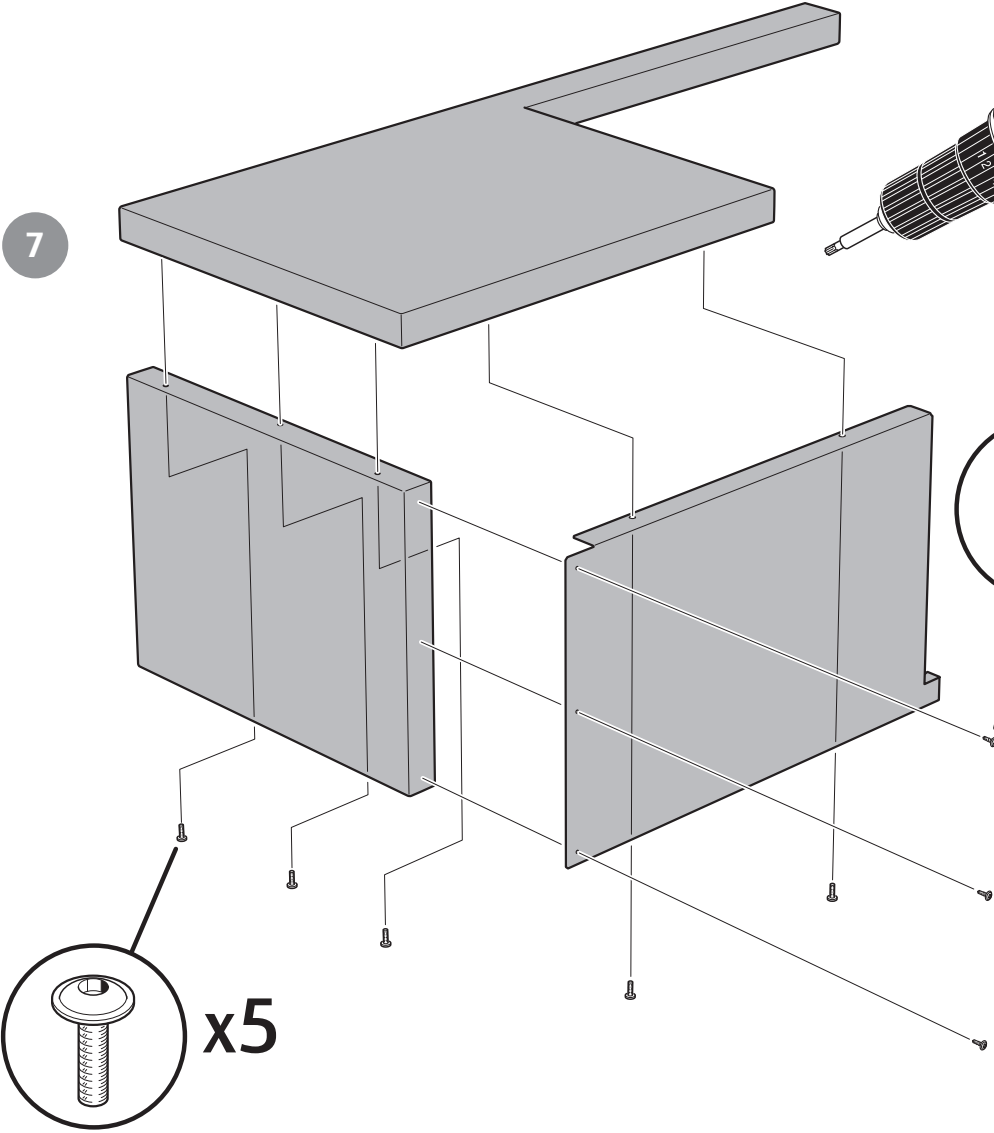
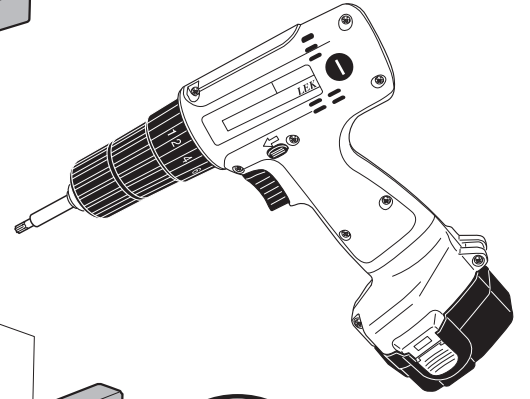
6

6

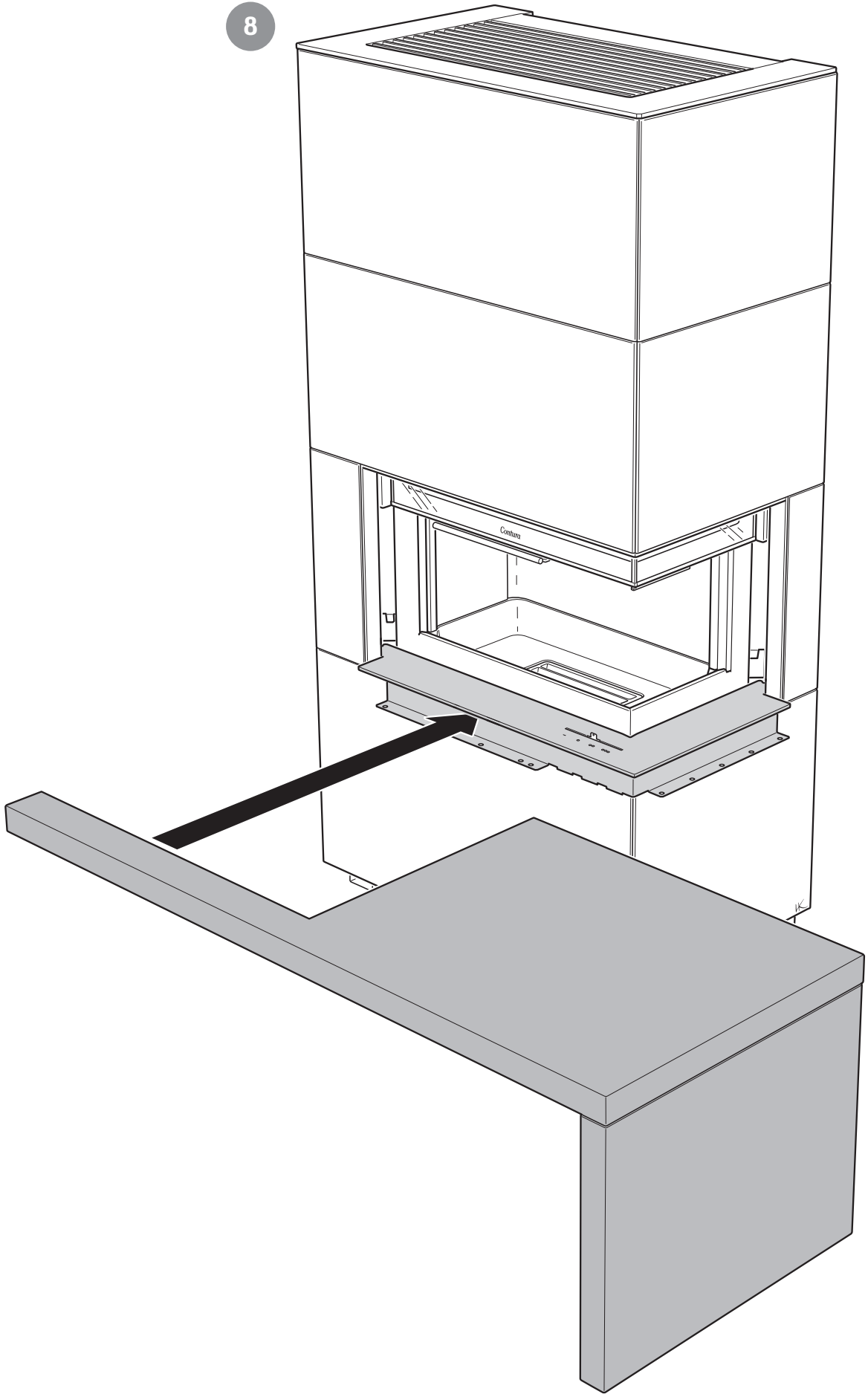




7



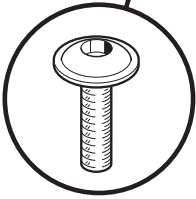
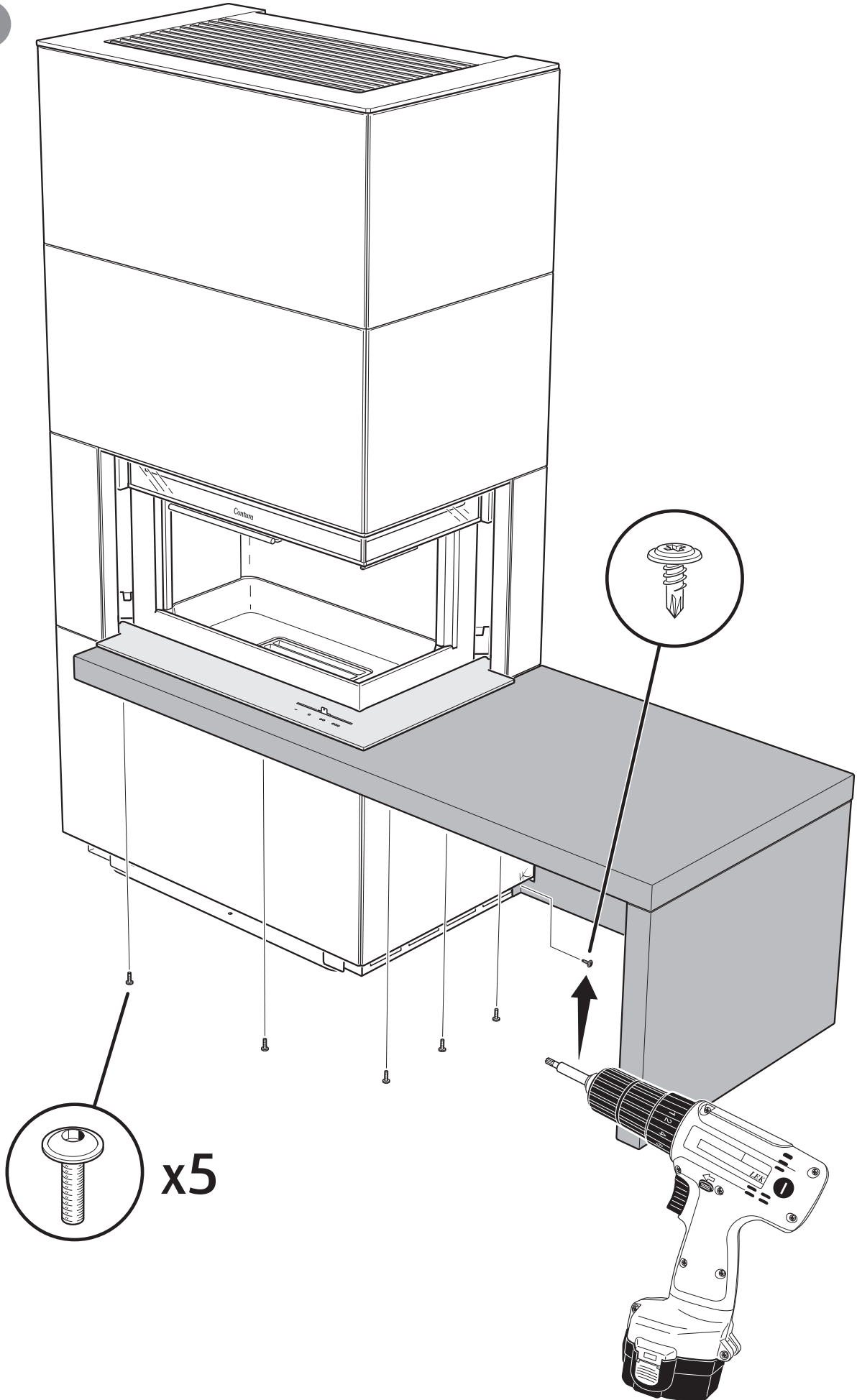
8



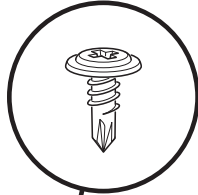




9



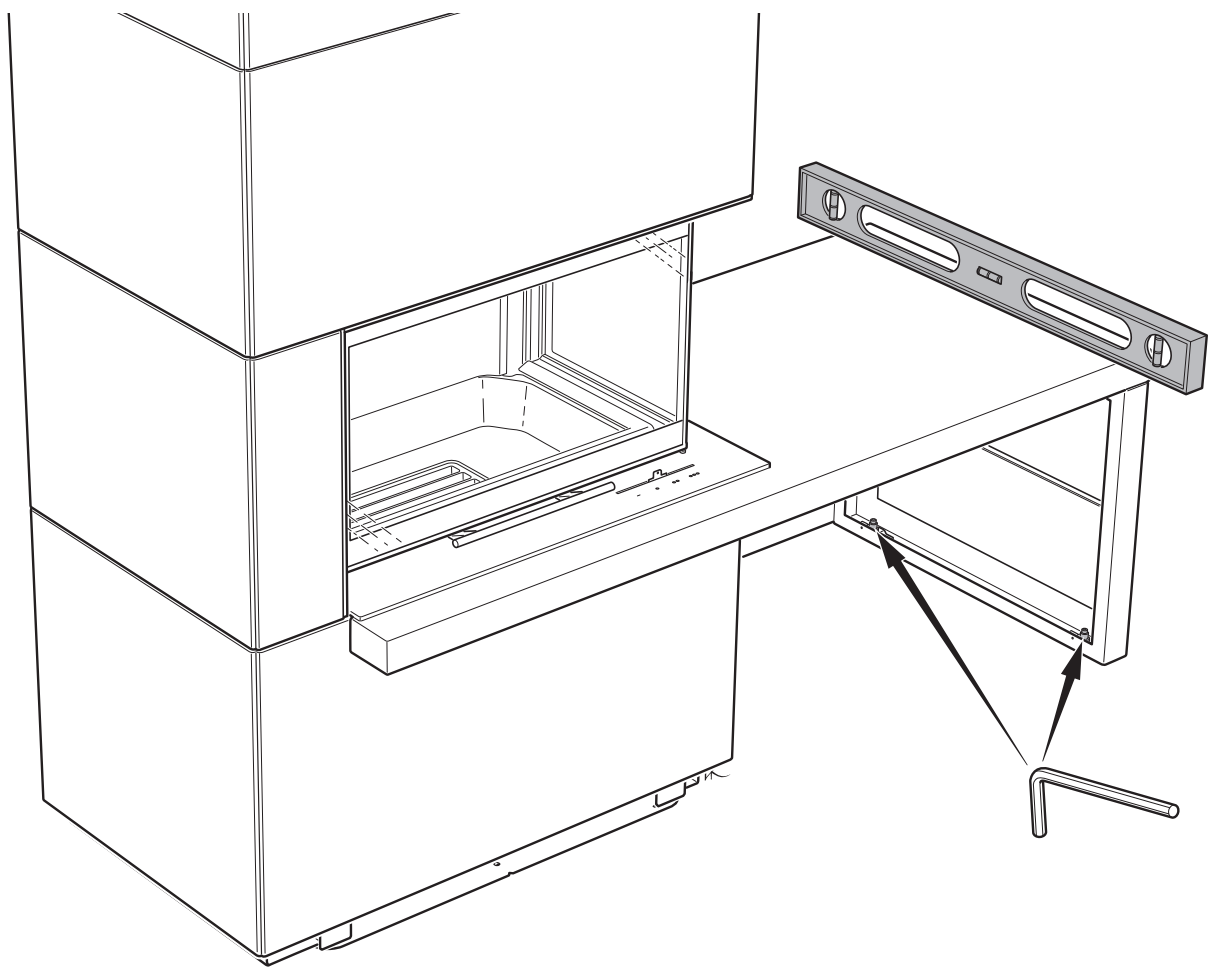
x5



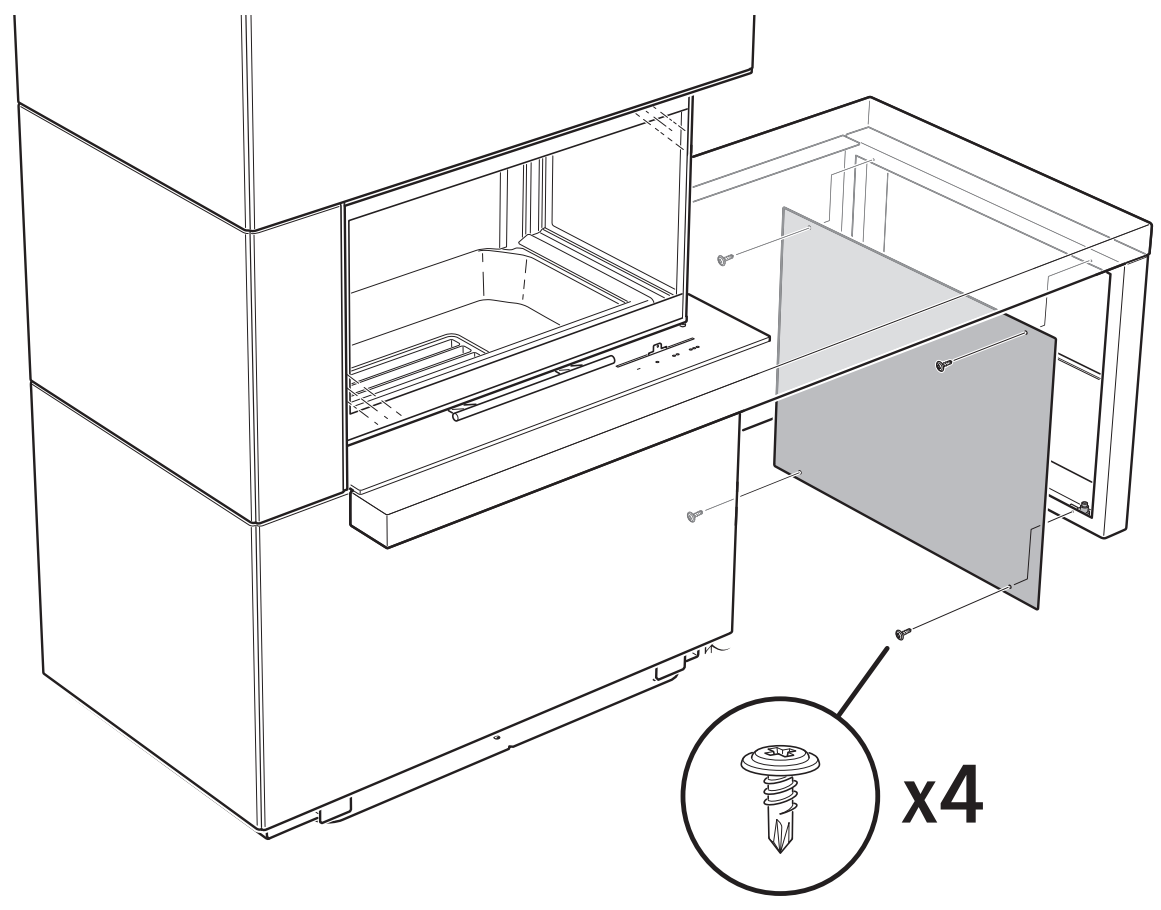


10

10

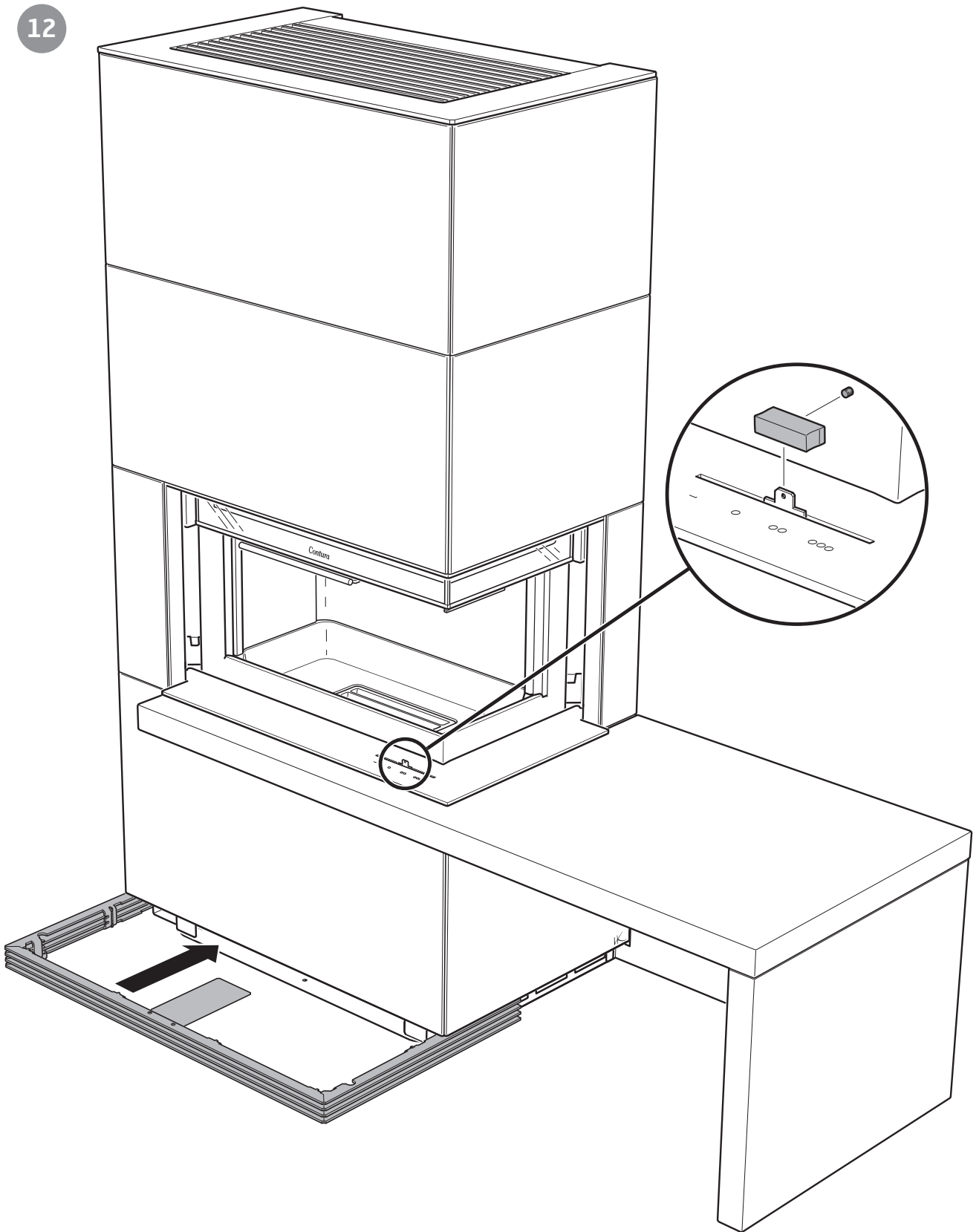


11





12



# *Contura*

Contura AB · Box 134 · SE-285 23 Markaryd · Sweden  
contura.eu

Contura reserves the right to change dimensions and procedures described in these instructions at any time without special notice. The current edition can be downloaded from [contura.eu](http://contura.eu)

811548 MAV Plåtbänk Ci41-2  
2024-04-09