

Contura

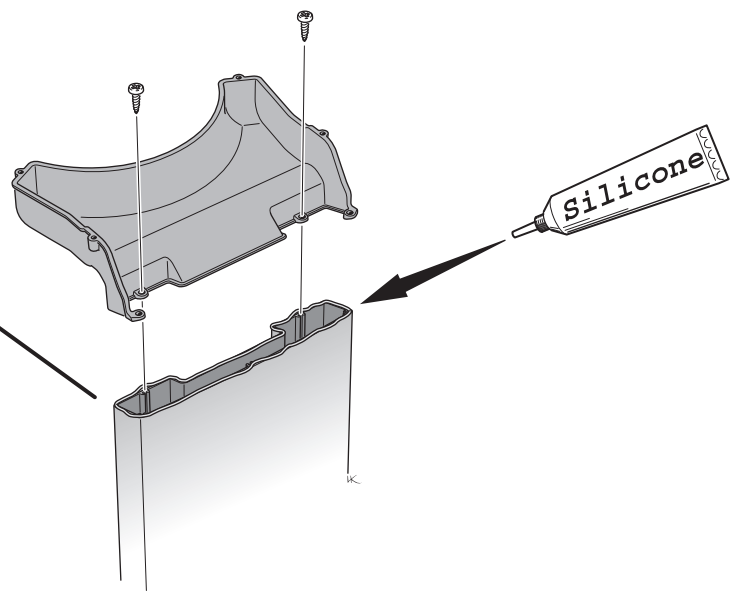
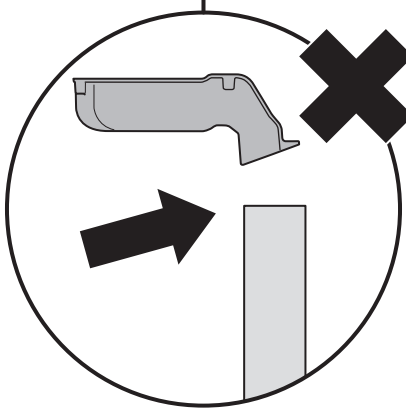
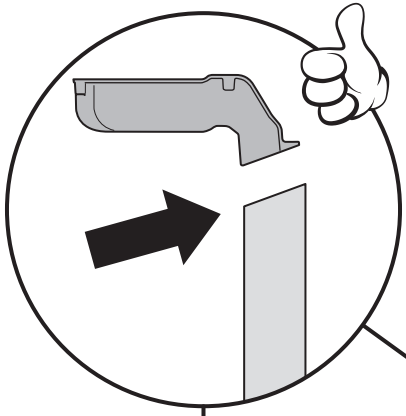
C800 TL Style



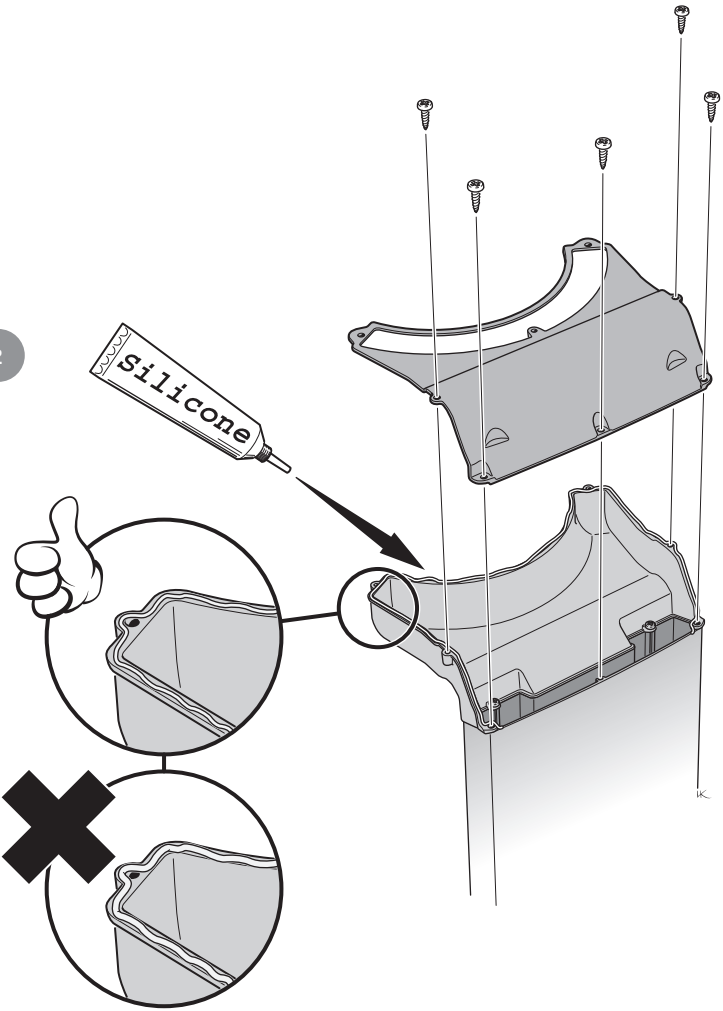


2

1

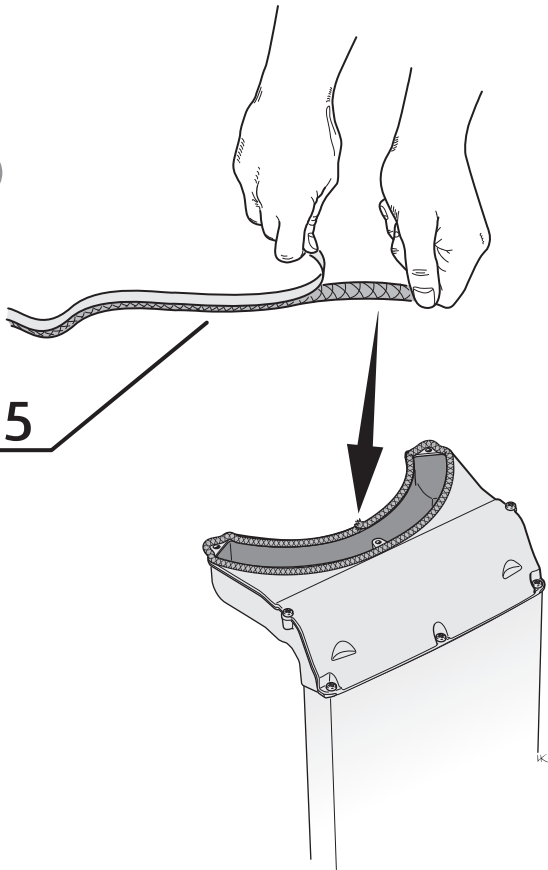


2



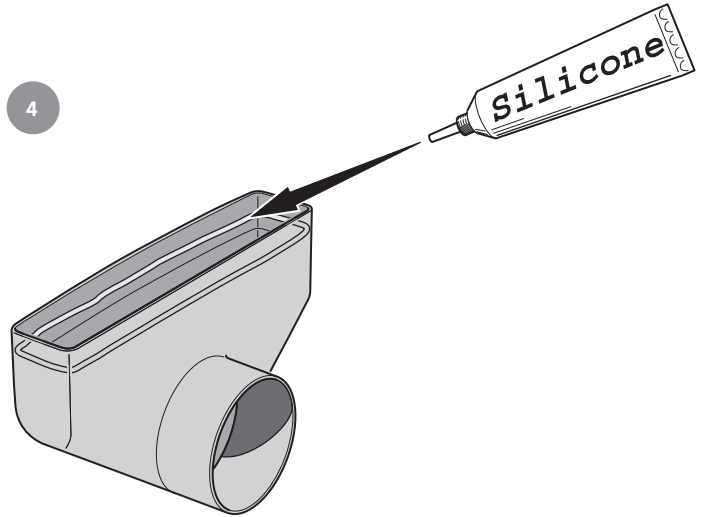


3

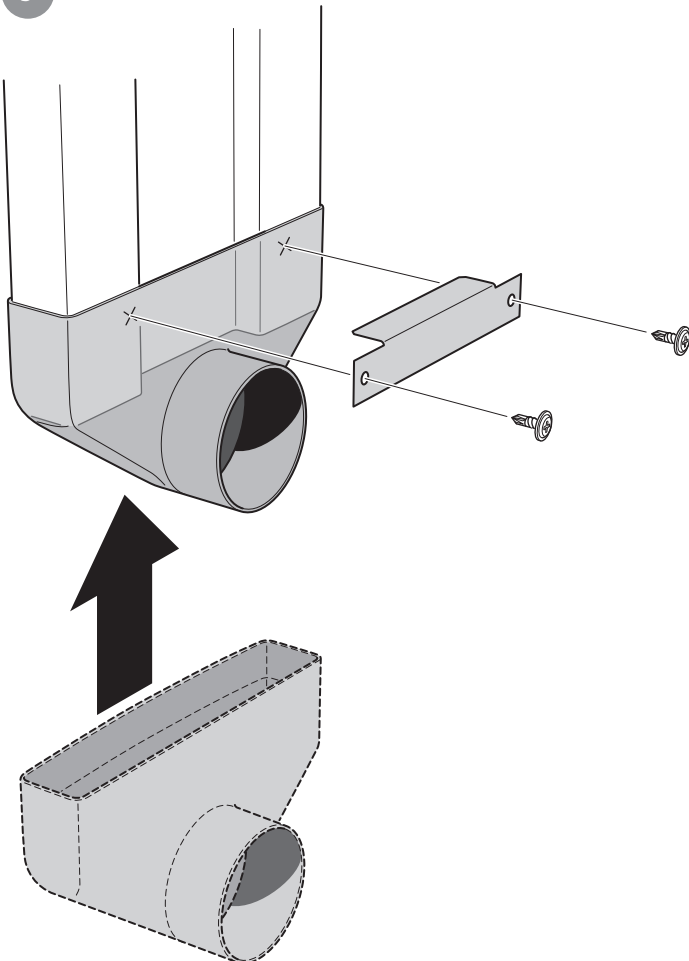


Ø5

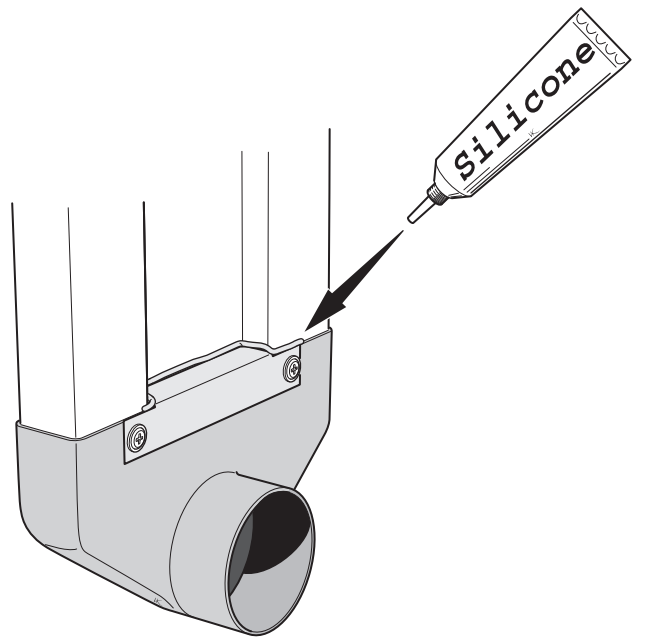
4



5



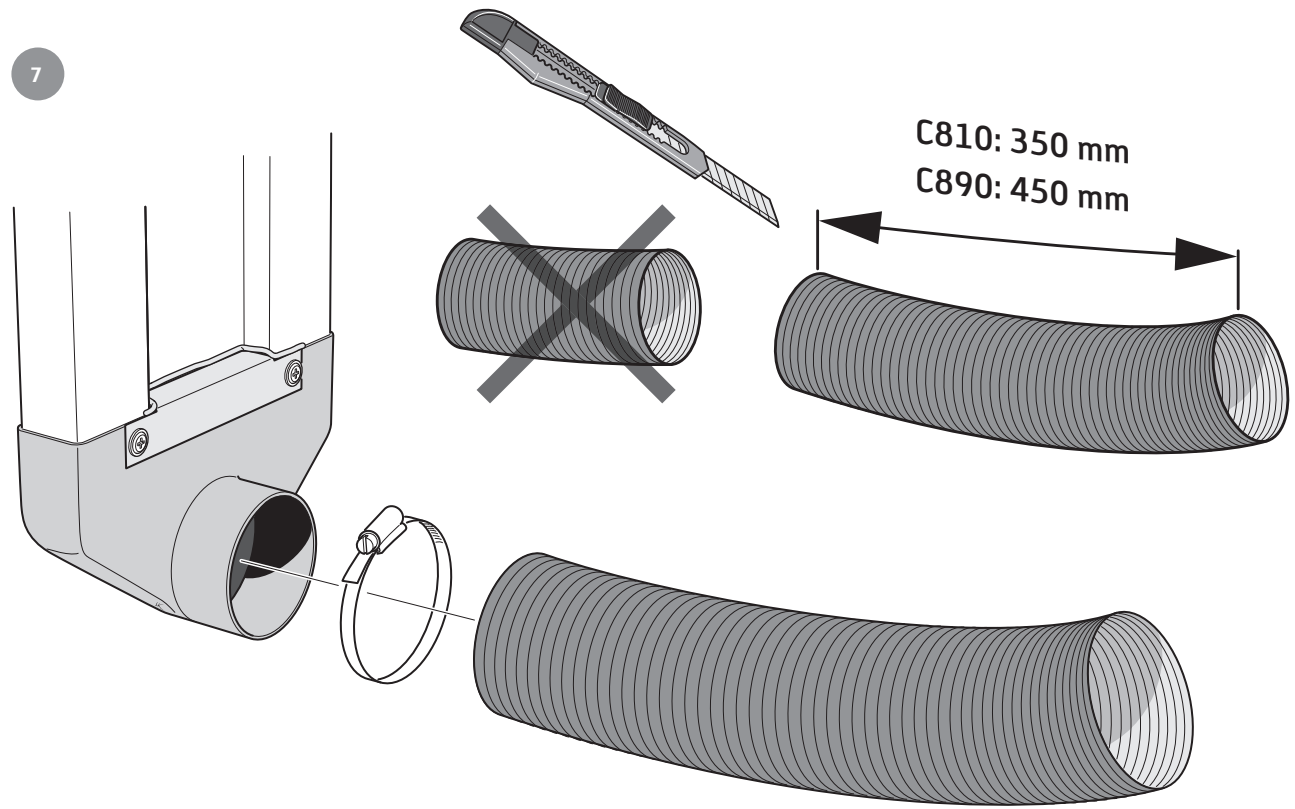
6



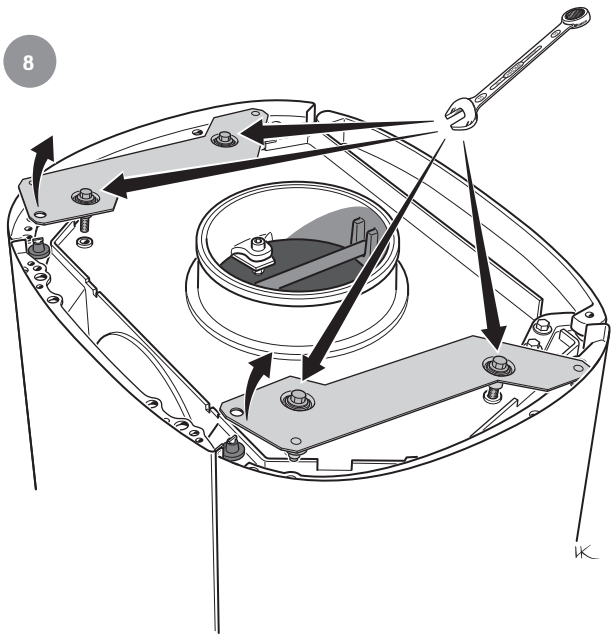


4

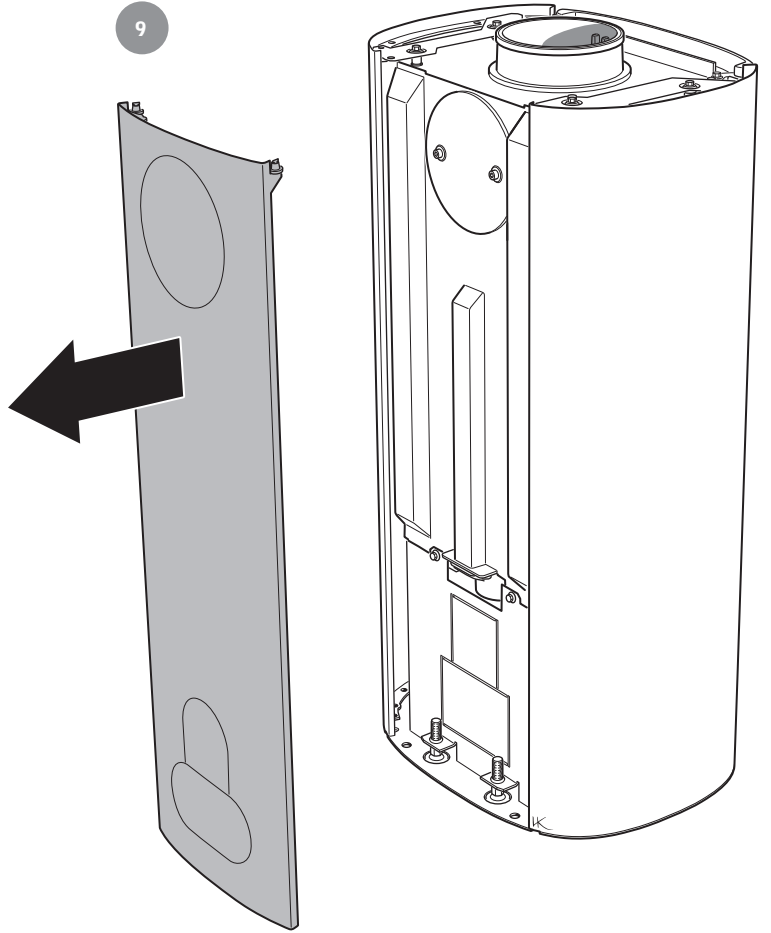
7



8

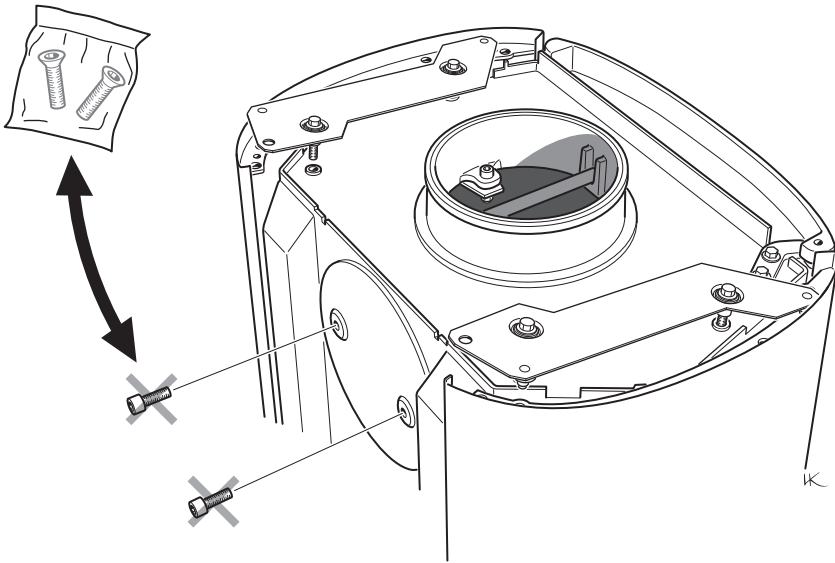


9



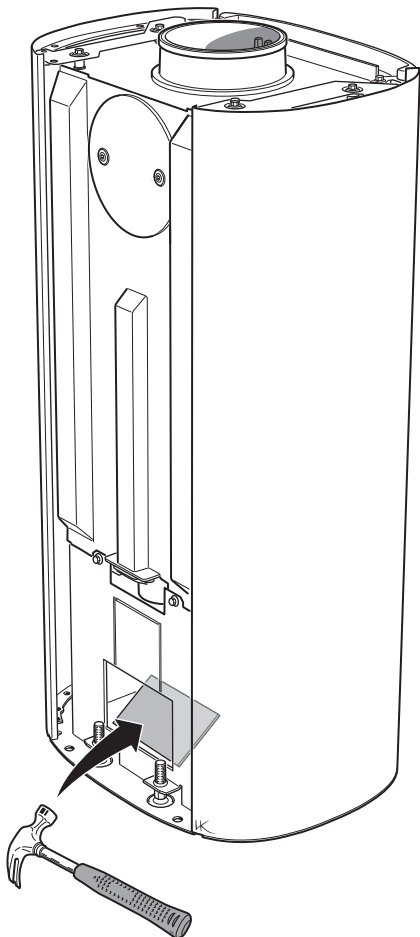


10

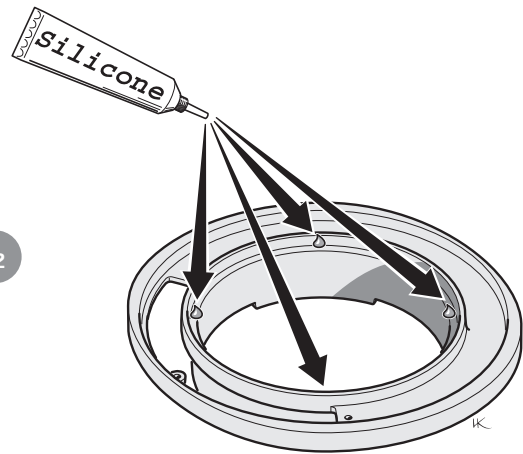


C890 / C896 → Side 10

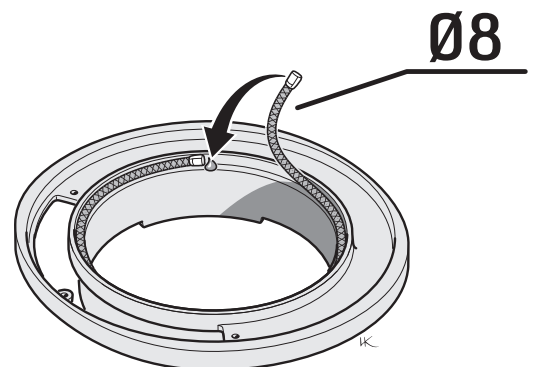
11



12

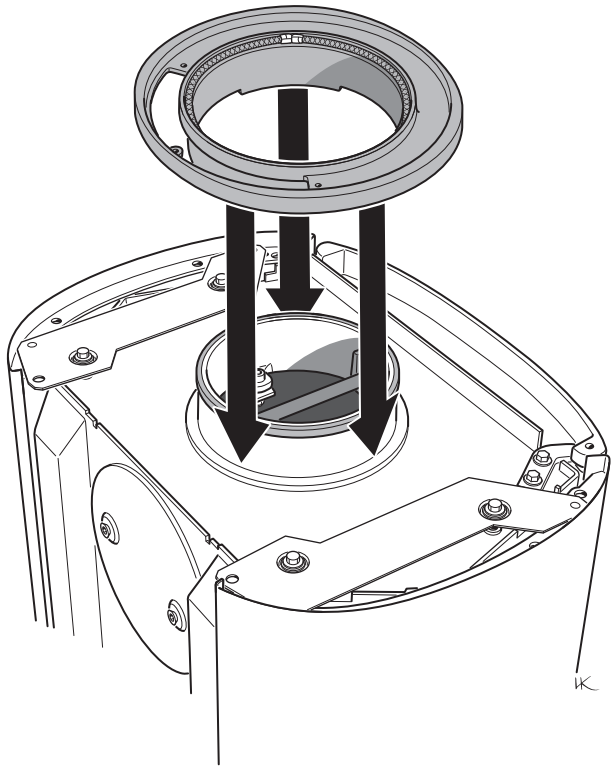


13

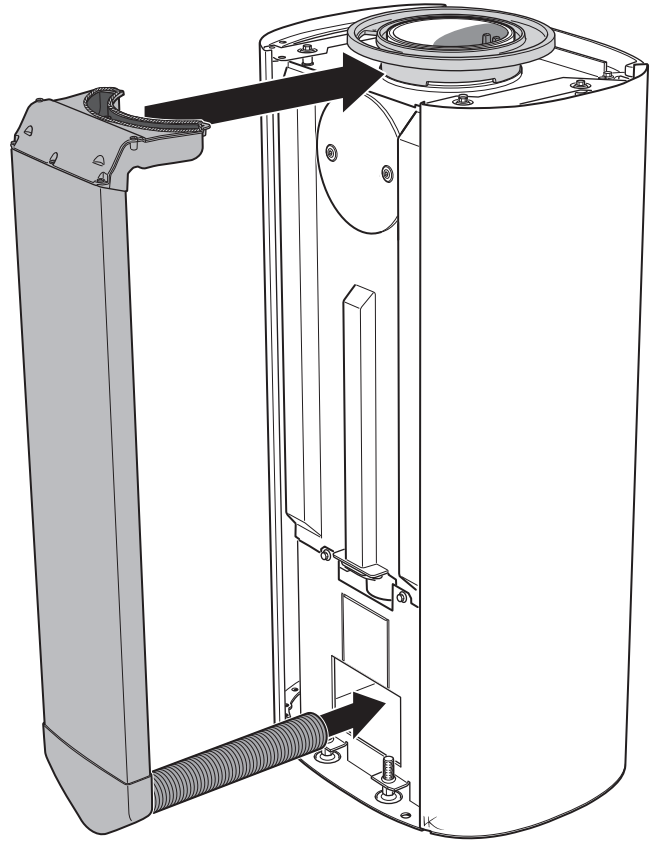




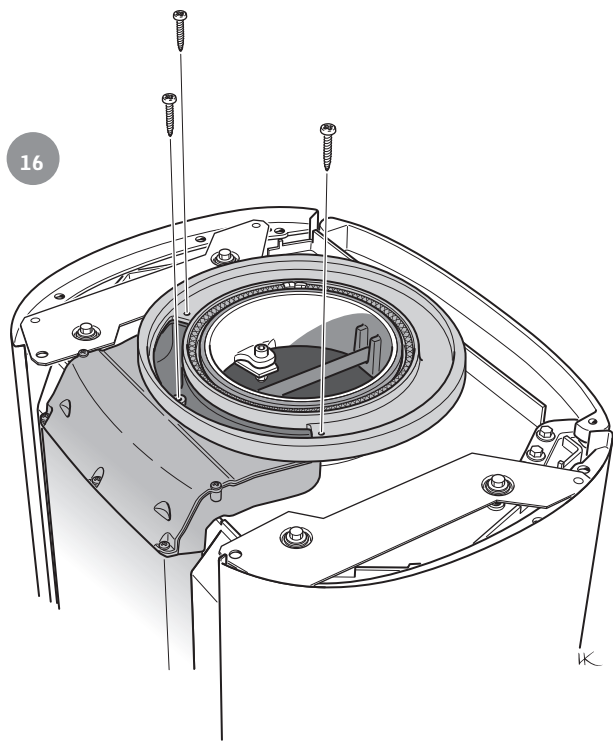
14



15

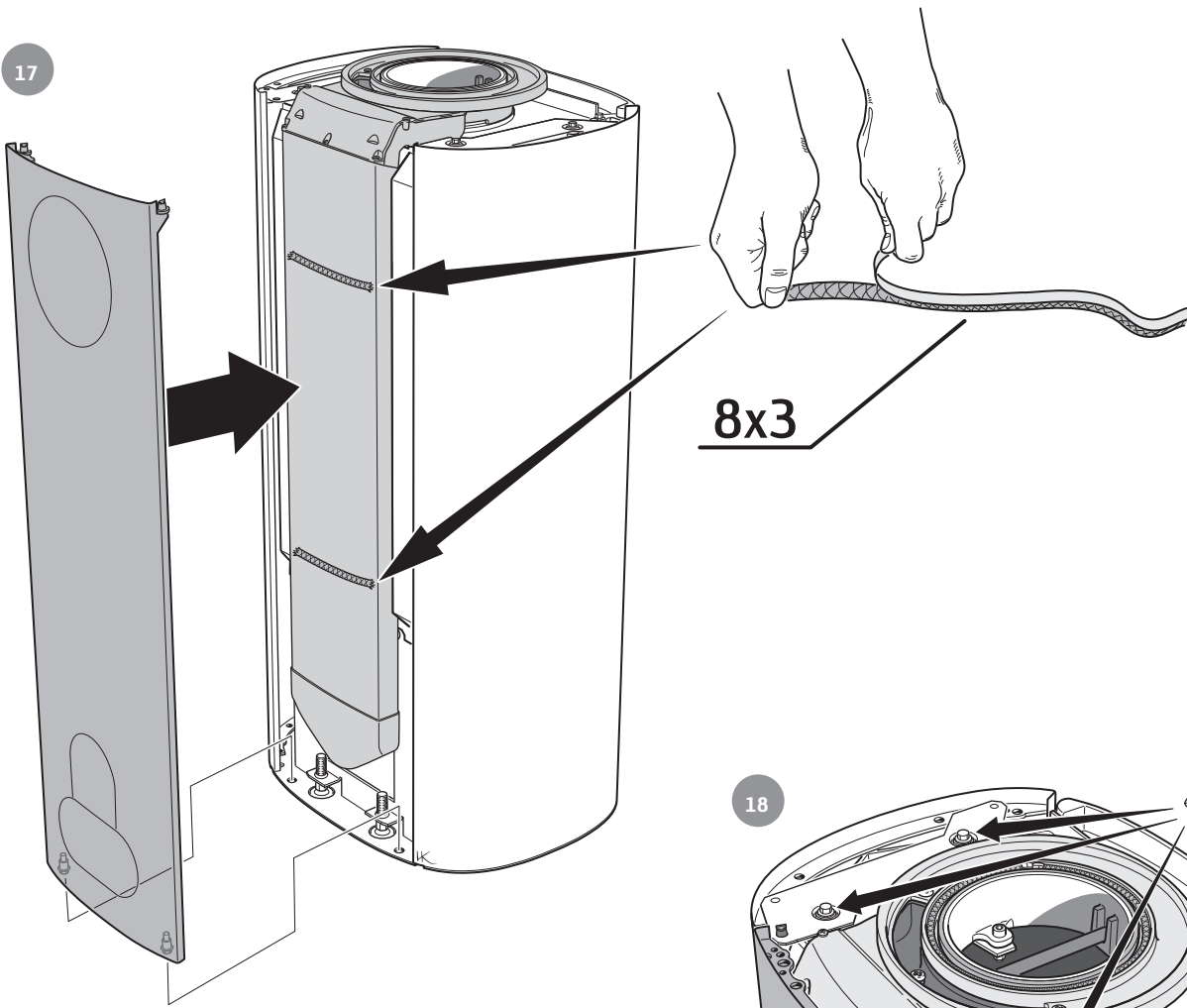


16

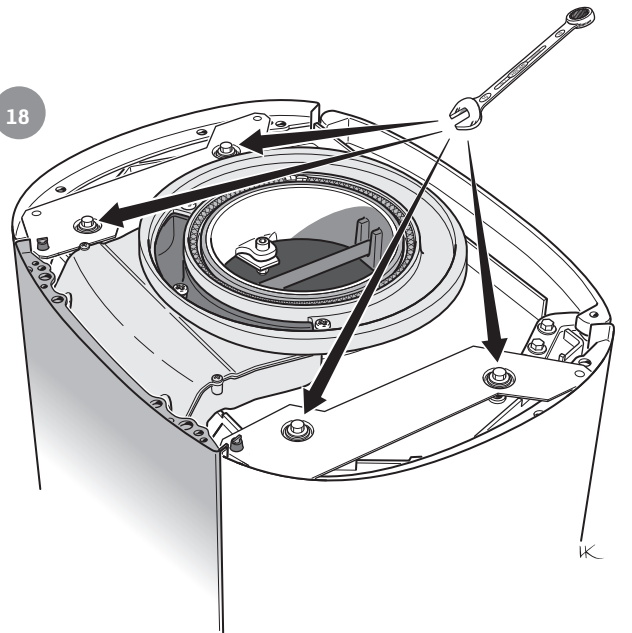




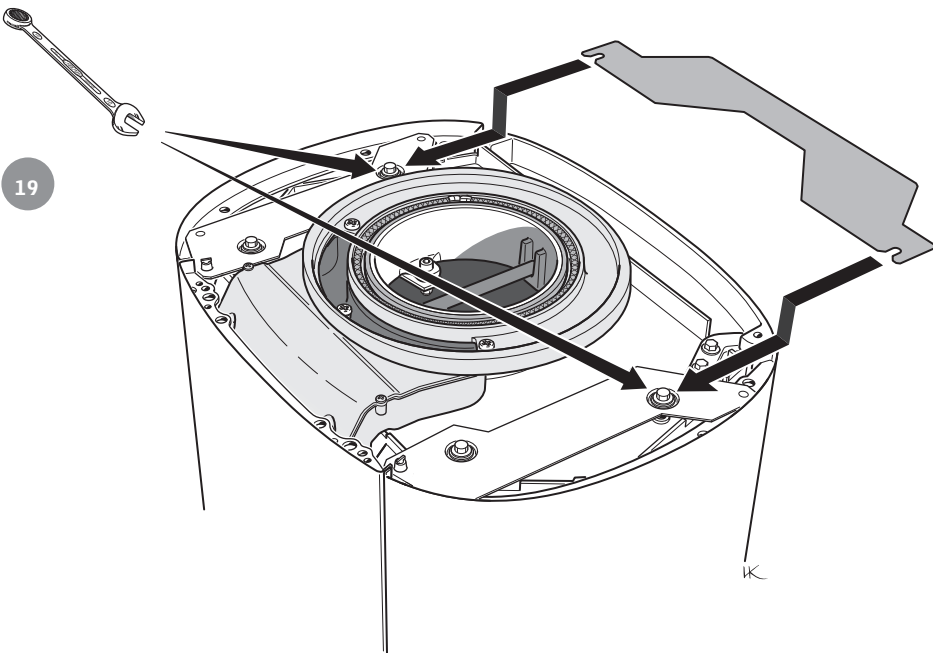
17



18



19

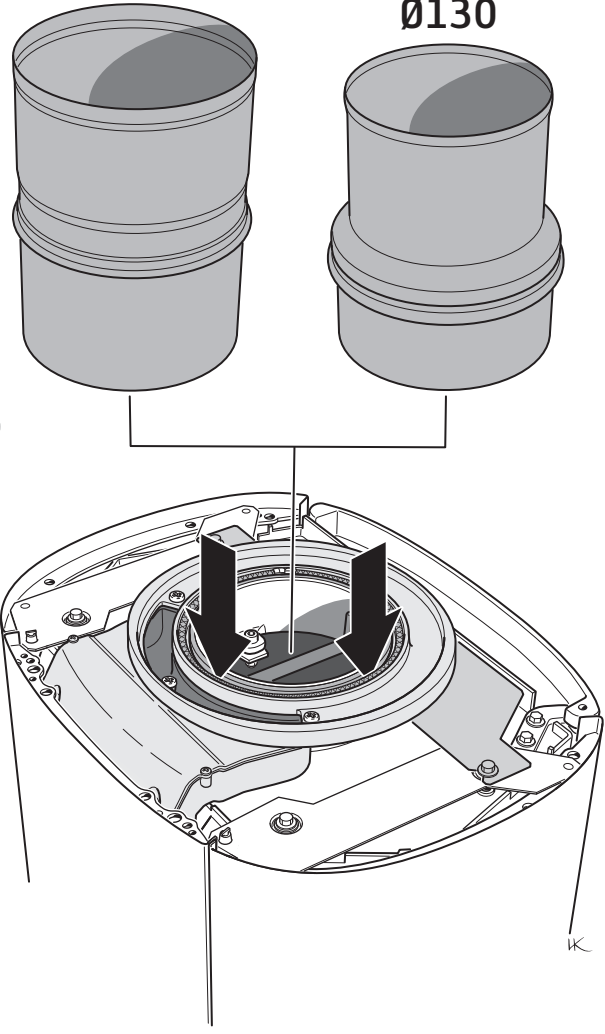




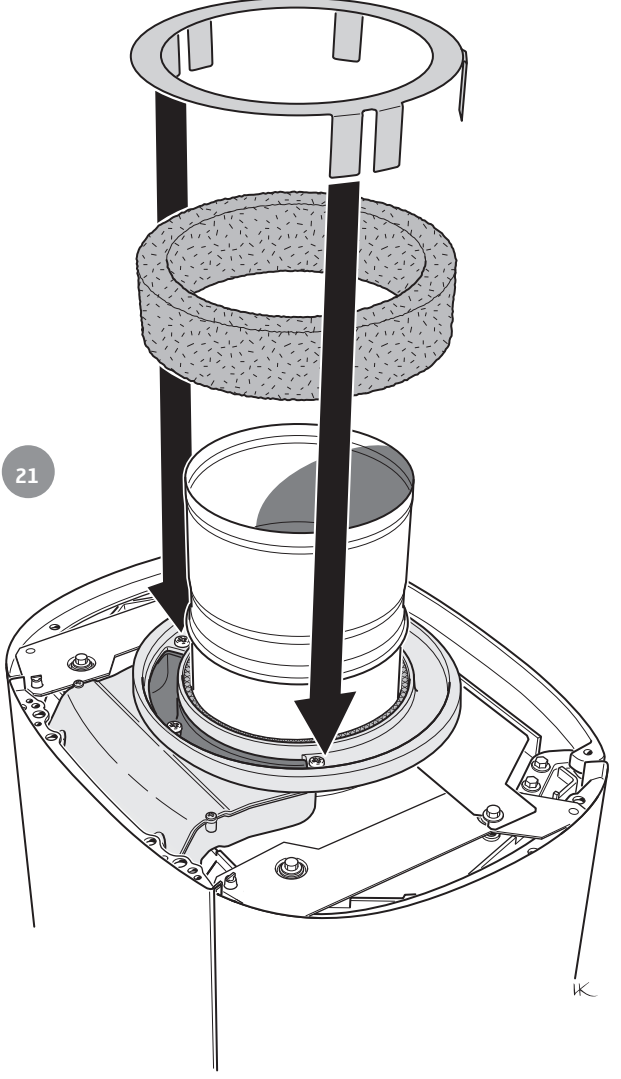
Ø150

Ø130

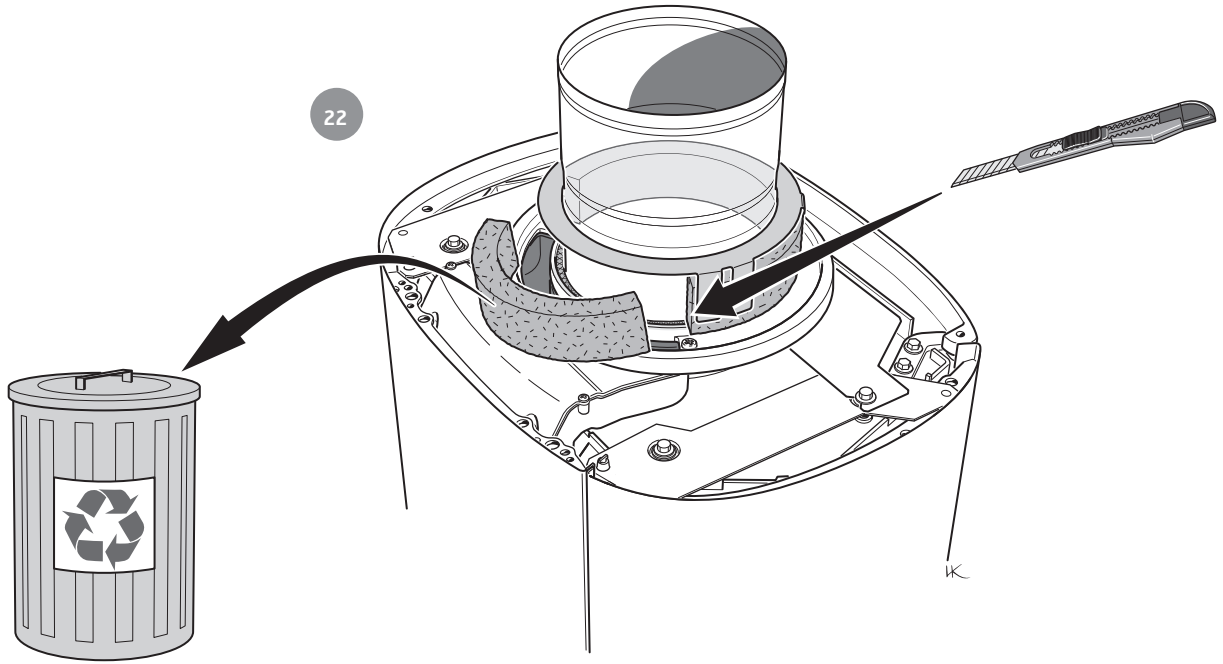
20



21

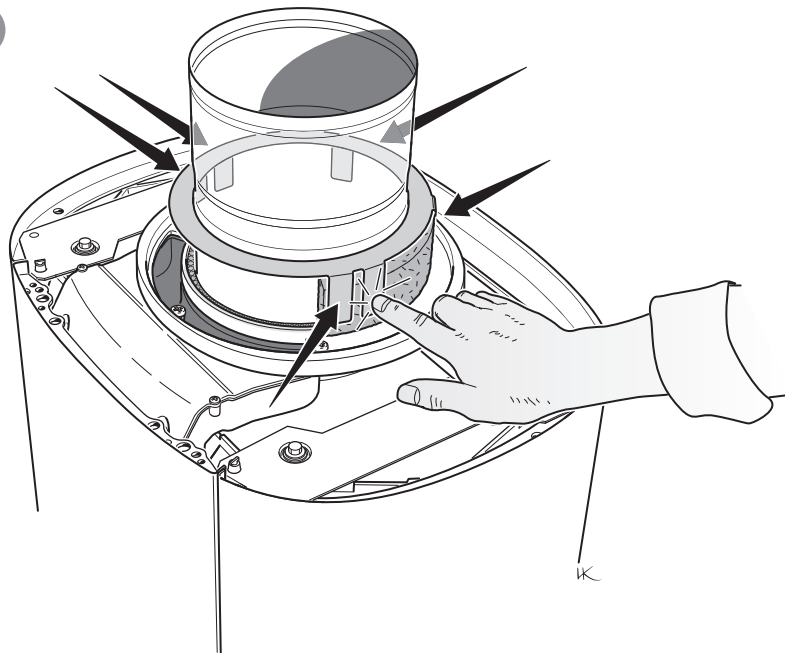


22

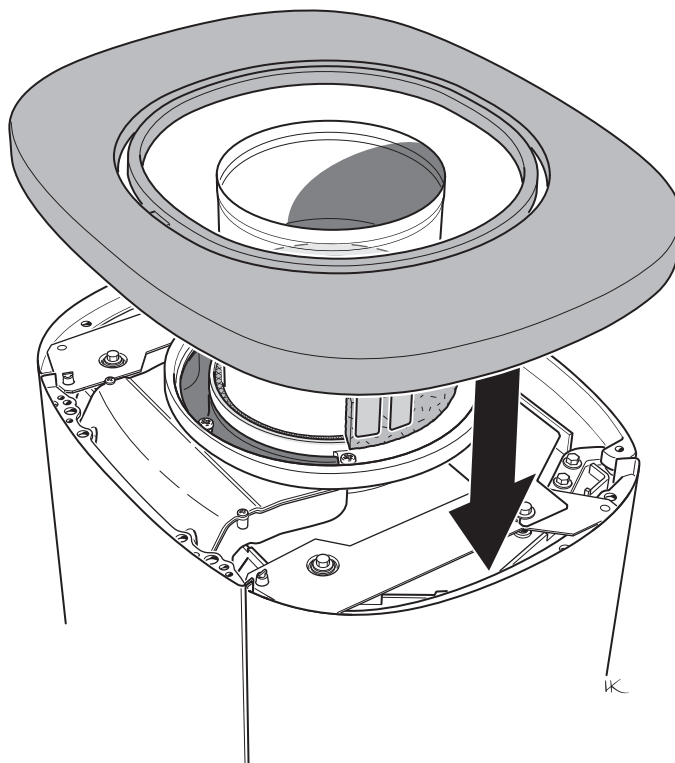




23

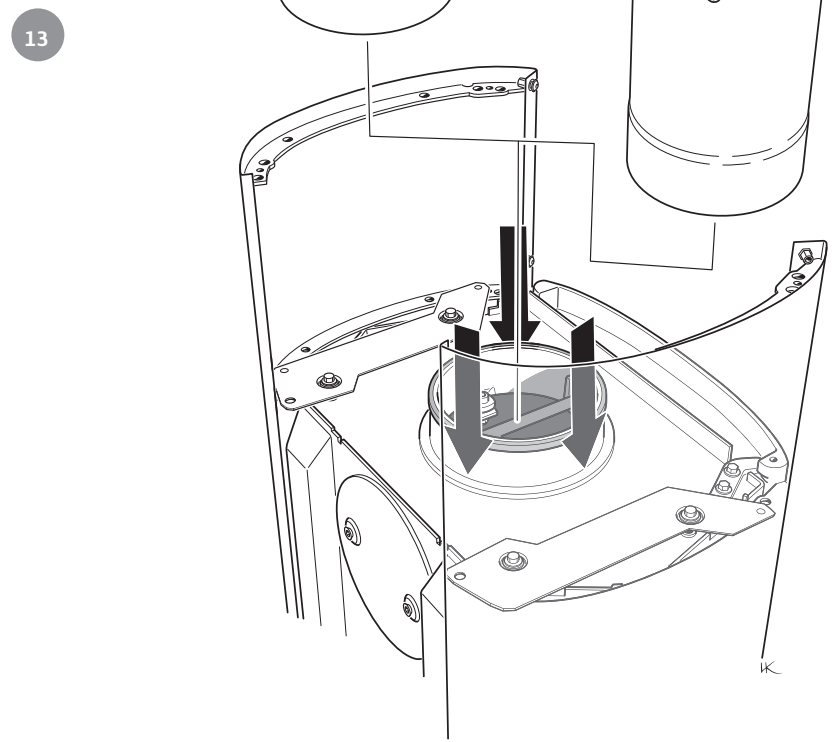
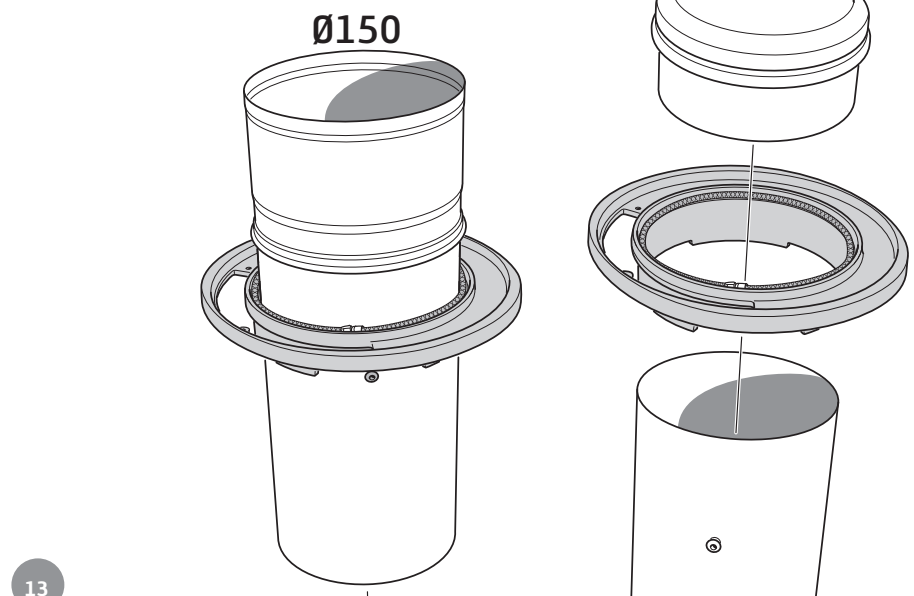
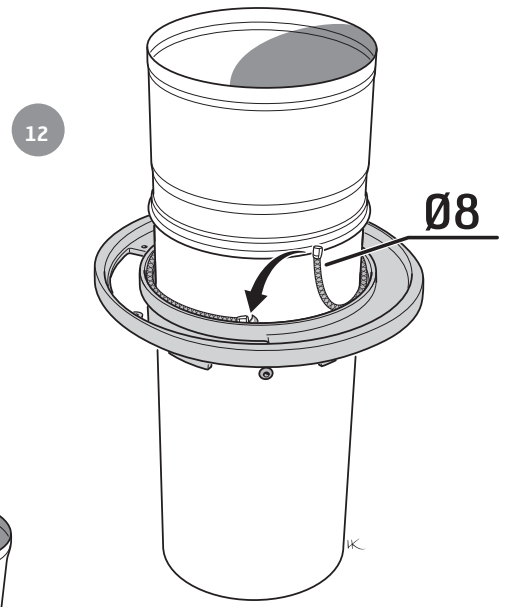
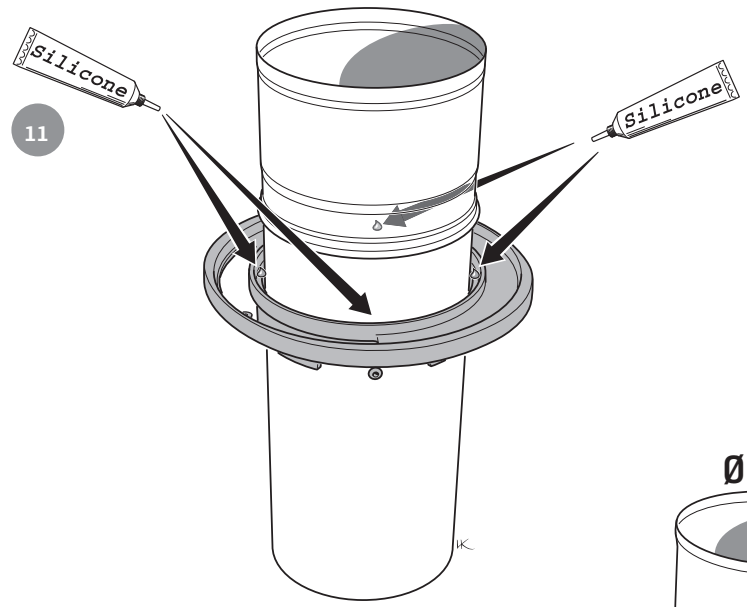


24



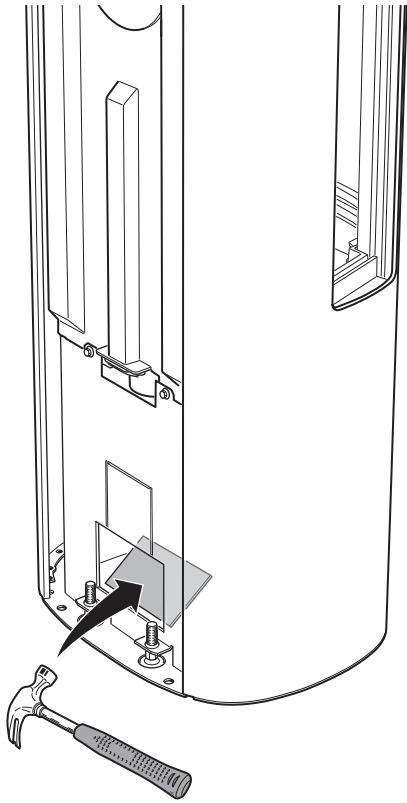


C890 / C896

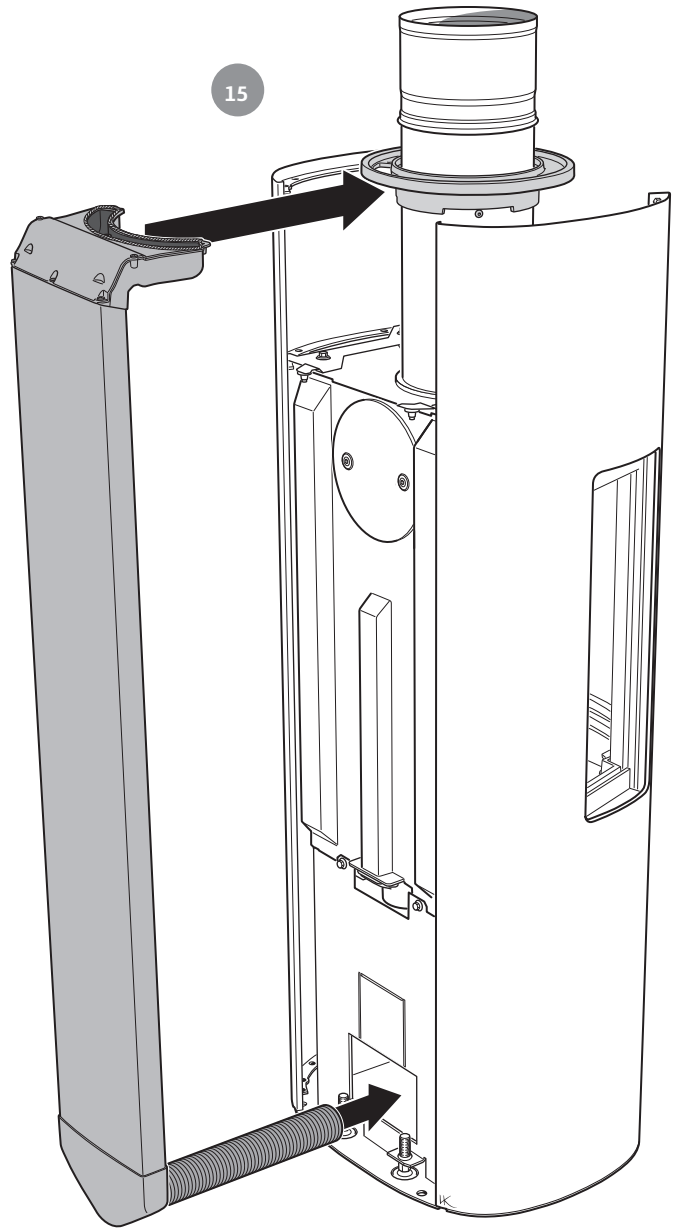




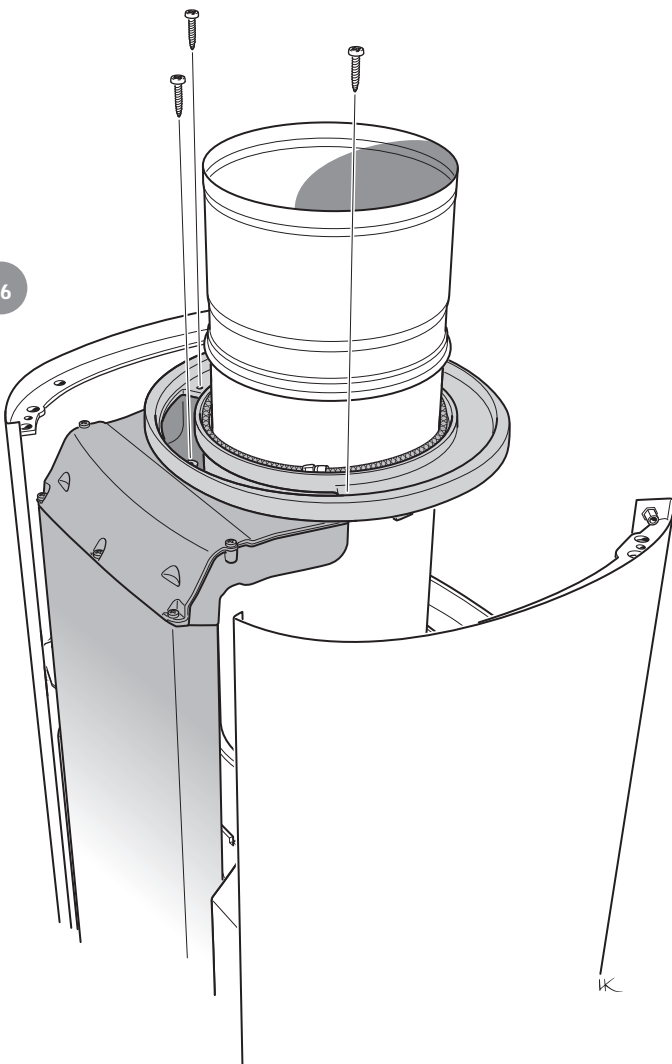
14



15

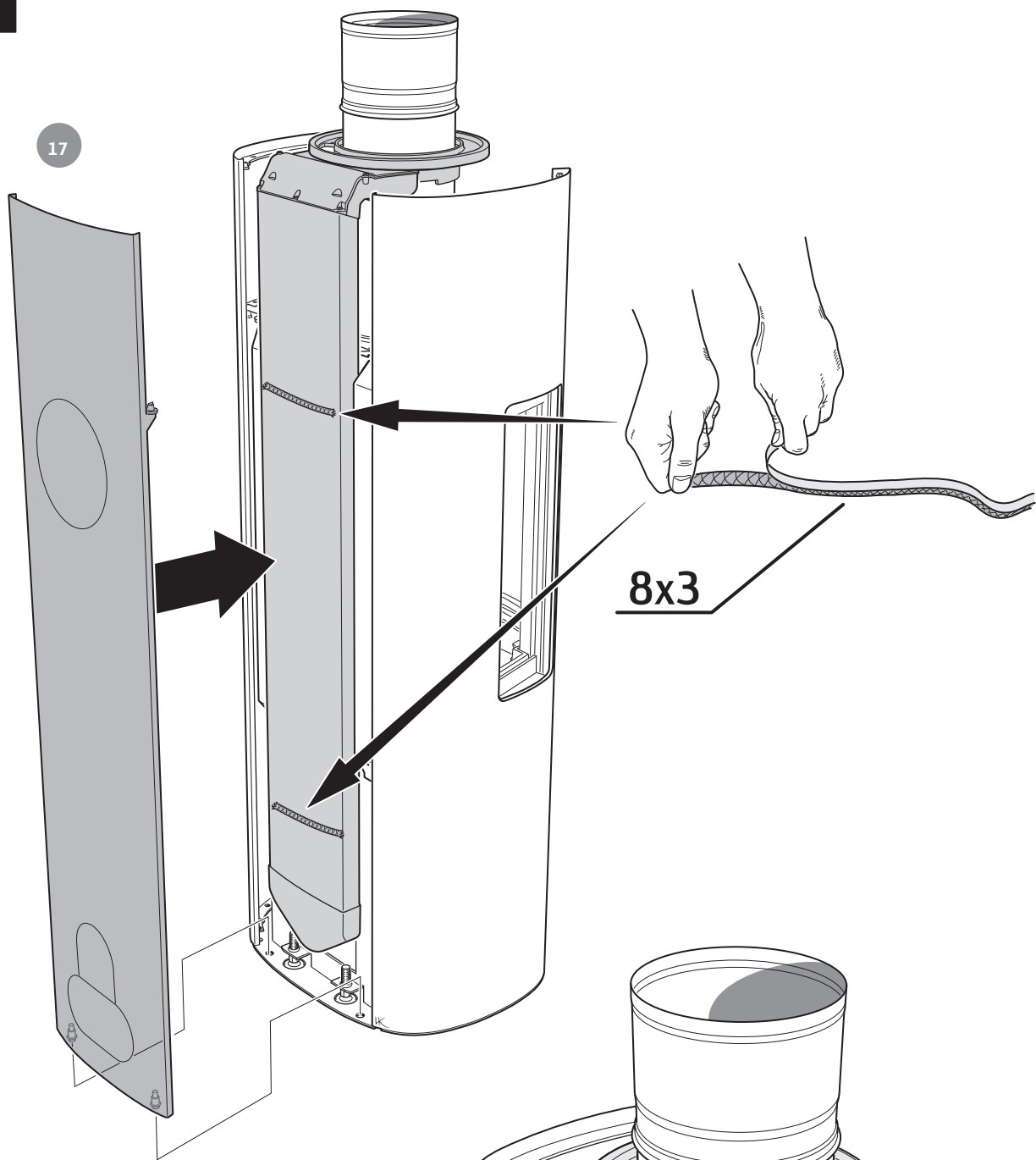


16

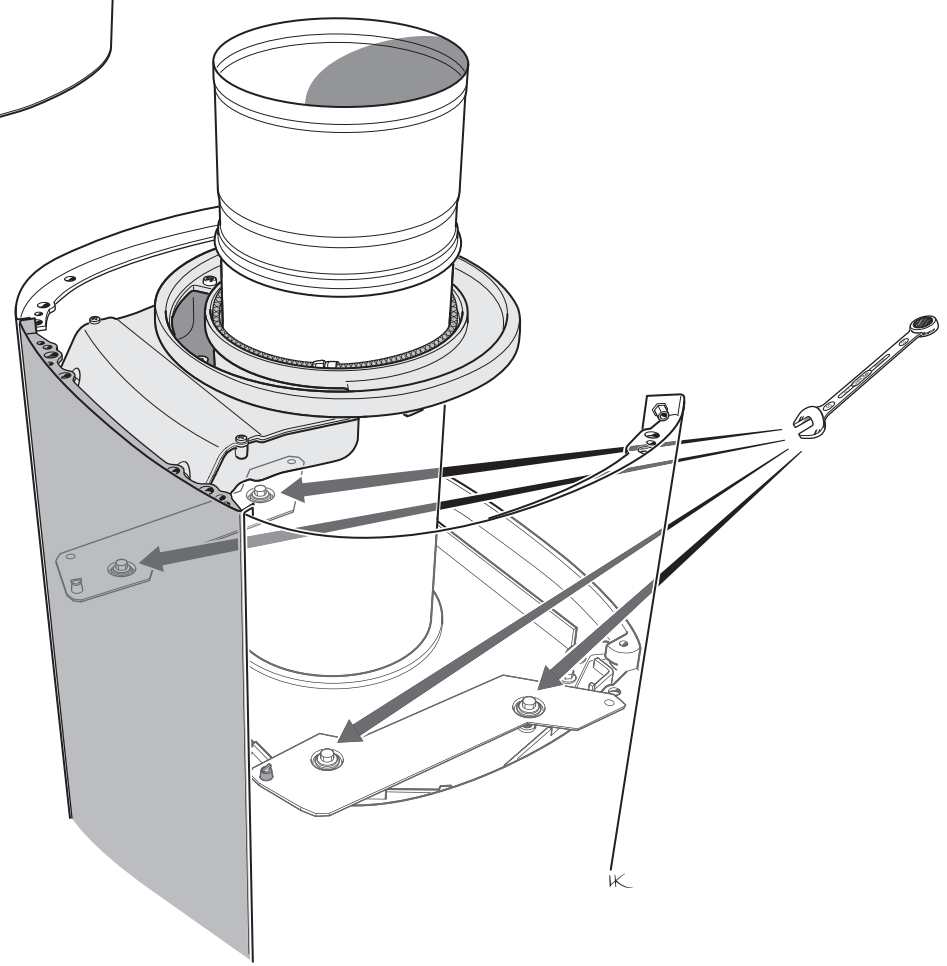




17

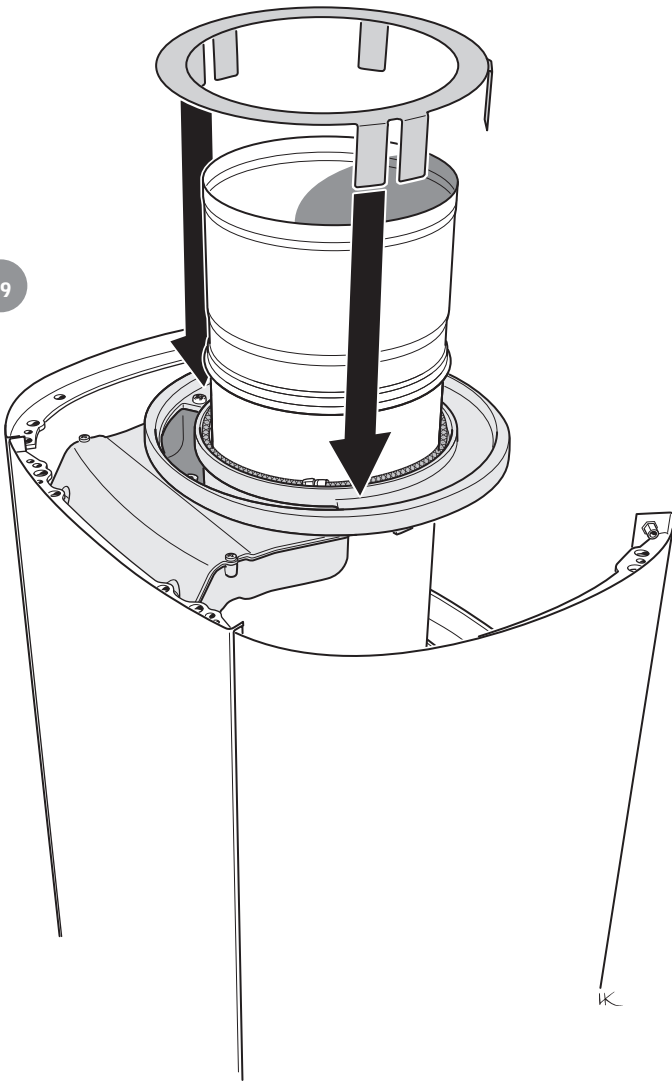


18

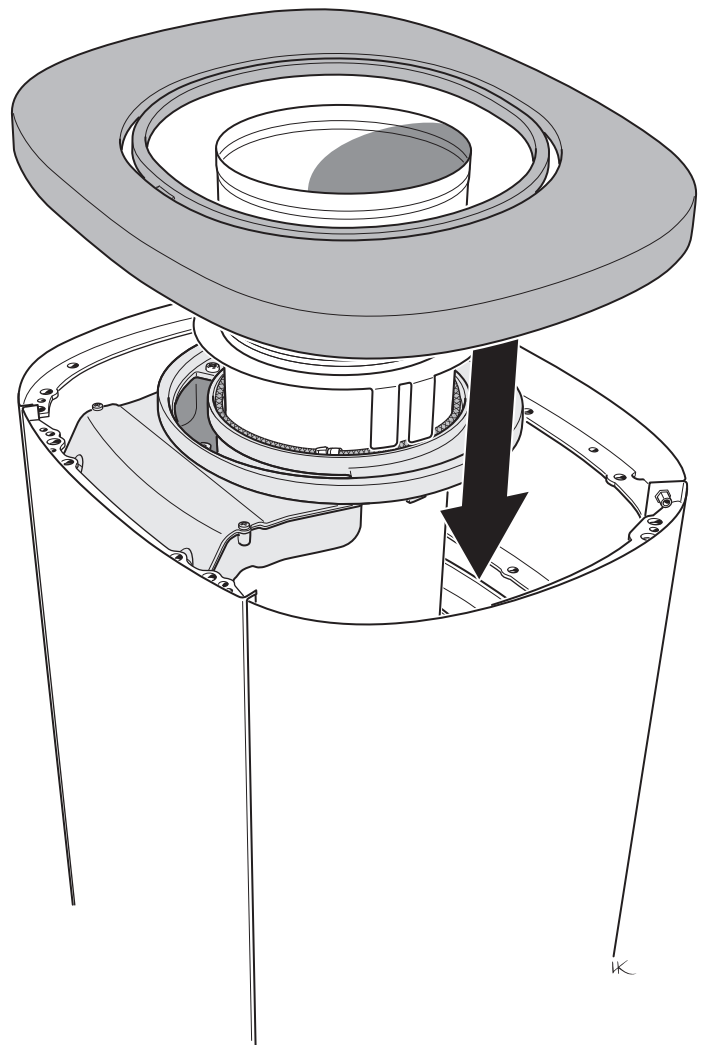




19

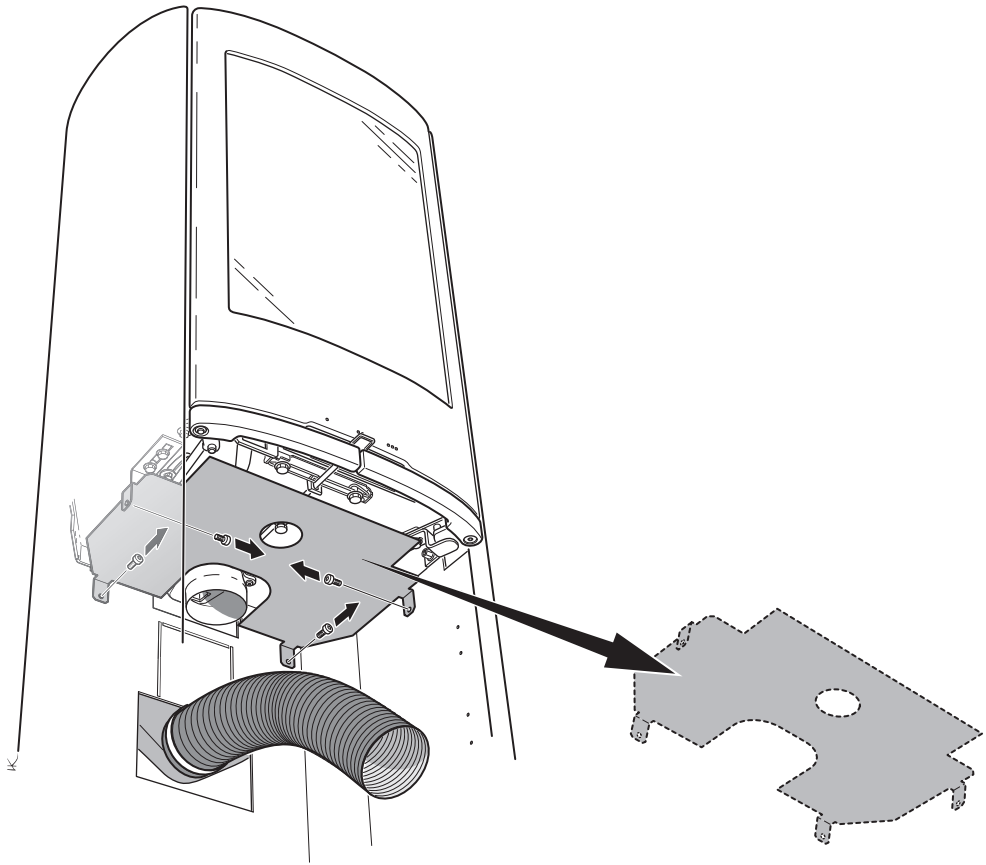


20

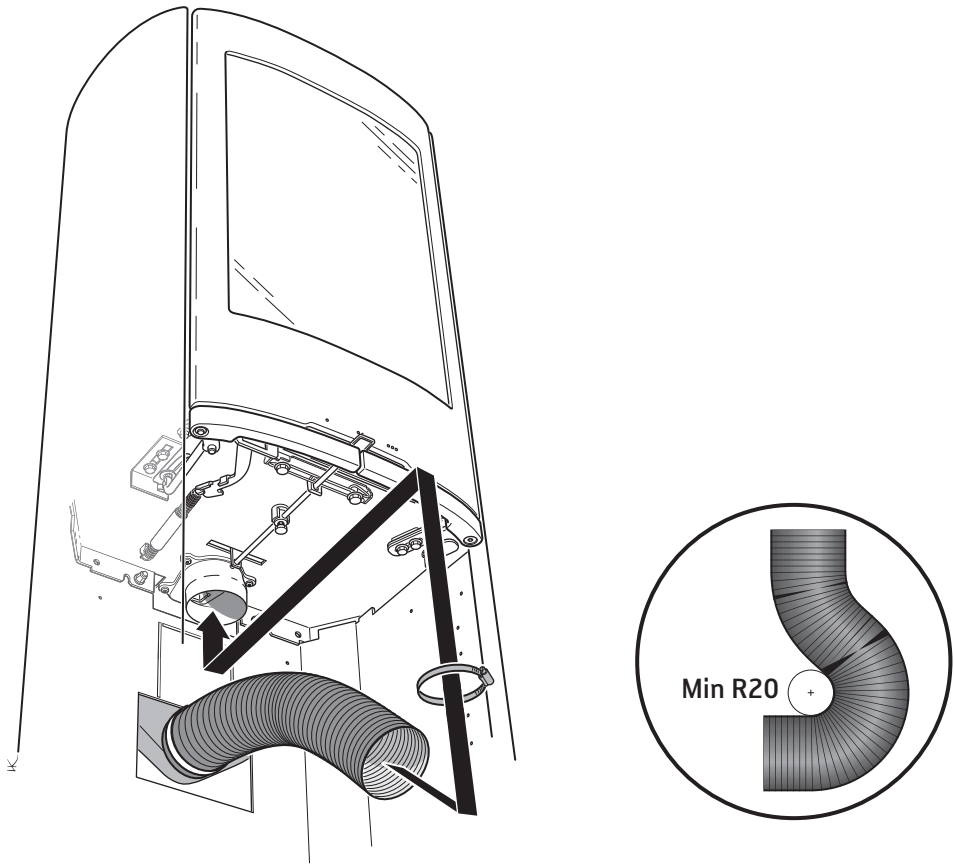




1

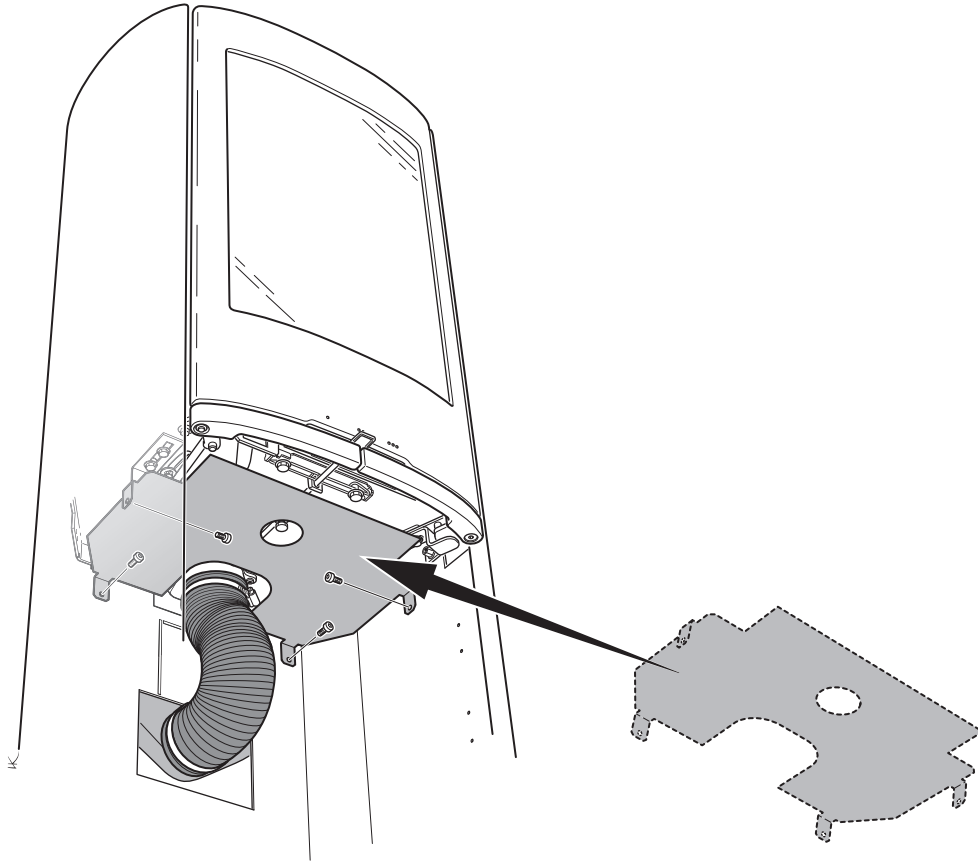


2

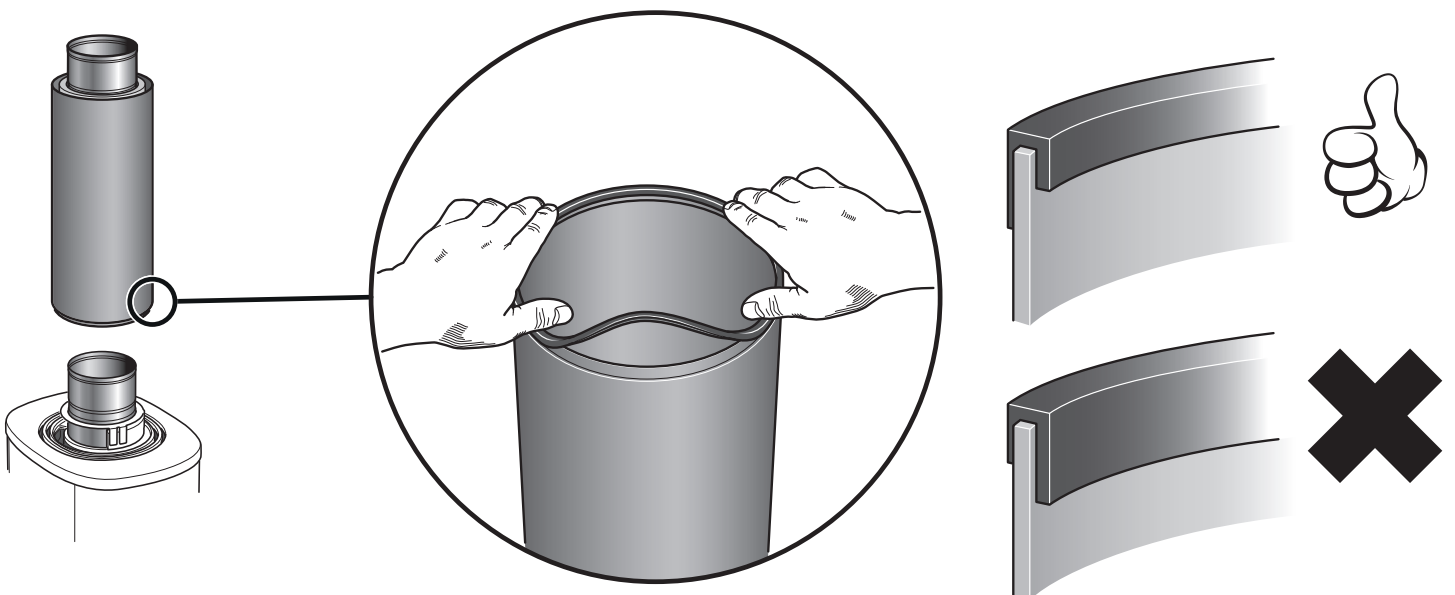




3



4



Contura

NIBE AB · Box 134 · 285 23 Markaryd · Sweden
contura.eu

Contura reserves the right to change dimensions and procedures described in these instructions at any time without special notice. The current edition can be downloaded from www.contura.eu