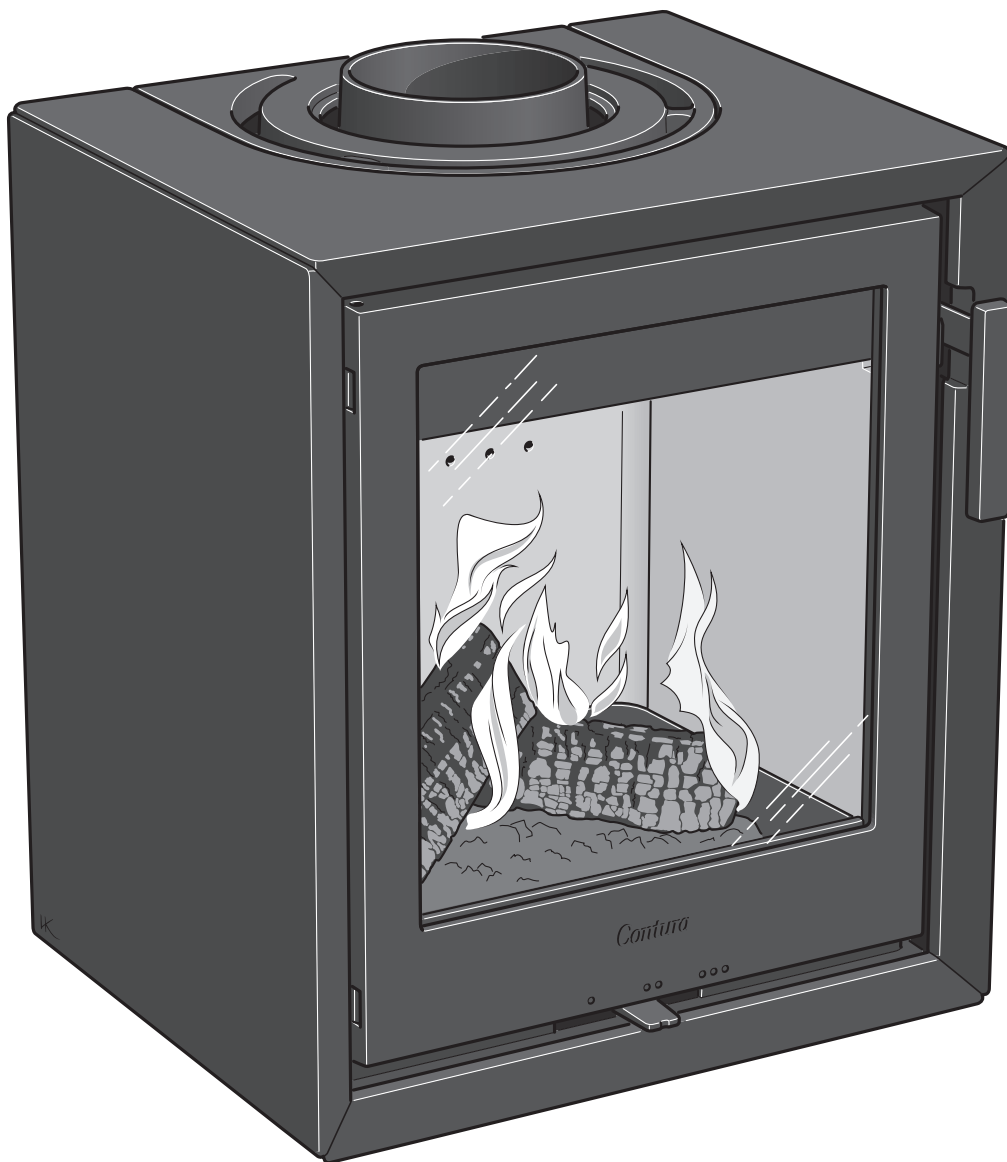


# Contura

130



## Facts



5 kW



545 mm



465 mm



375 mm



75 kg

Nominal effect	5 kW
Efficiency	80,7%
Flue gas mass flow	4,3 g/s

Appliance is for intermittent burning only

### Meets requirements of:

European standard EN-13240  
Clean Air Act. 61534 (UK)



### The stove becomes very hot

During operation, certain surfaces of the stove become very hot and can cause burn injury if touched. Be aware of the strong heat radiated through the hatch glass. Placing flammable material closer than the safe distance indicated may cause a fire. Pyre lighting can cause quick gas ignition with the risk of damage to property and personal injury.

### Installation by authorised technician

This manual contains instructions about how the stoves must be assembled and installed. To ensure the function and safety of the stove, the installation should be carried out by a Hetas trained engineer. Contact one of our dealers who can recommend suitable installer. When completed, the installer should inform the local Council/authority about the new installation.

### Building application

These main instructions may give guidance which would contravene national building regulations. All local regulations, including those referring to national and European standards, need to be complied with when installing the appliance. Please refer to supplementary instructions or ask your local authority for advice regarding building regulations.

Before installing a stove or erecting a chimney it is necessary for you to make a building application permission to your local authority. The owner of the house is personally responsible for ensuring compliance with the mandatory safety requirements and must have the installation approved by a qualified inspector. Regular maintenance by a competent engineer is needed. It

is not allowed to unauthorised modification of the appliance. Your local chimney sweep must also be informed about the installation as this will affect the routines for regular chimney-sweeping services.

### Structural support

Check that the wood joists are strong enough to bear the weight of the stove and chimney. The stove and chimney can usually be placed on a normal wooden joist if the total weight does not exceed 400 kg.

### Hearth plate

Due to the risk of falling embers, a flammable floor must be protected by a hearth plate. It must extend 300 mm in front of the stove and 100 mm on each side of the stove, or have a 200 mm extension on each side of the opening. The hearth plate can consist of natural stone, concrete, metal plate or glass.

### Final inspection of the installation

It is extremely important that the installation is inspected by an authorised chimney sweep before the stove is used. Also read the "Lighting instructions", before lighting for the first time.

### Connection to chimney

- The stove must be connected to chimneys dimensioned for a minimum flue gas temperature of 400°C.
- The stove should not be installed in a chimney serving more than one appliance.
- The diameter of the connection sleeve is designed to fit chimney pipes with an external diameter of Ø125 mm. A connection sleeve is available, as an optional extra, for chimney pipes with an internal diameter of Ø150 mm.
- Normal chimney draw under nominal operation should be between 20-25 Pa close to the connector. The draft is affected both by the length and area of the chimney, and by how well sealed it is. The recommended minimum flue length is 3.5 m and its diameter should be Ø125 to Ø150 mm.
- A flue with sharp bends and horizontal routing reduces the draught in the chimney. Maximum horizontal flue is 1 m, on the condition that the vertical flue length is at least 5 m.
- It must be possible to sweep the full length of the flue and the soot hatches must be easily accessible.
- Carefully check that the chimney is sealed and that there is no leakage around soot hatches and flue connections.

### Supply of combustion air

When a stove is installed in a room, the demand for air supply to the room increases. Air can be provided indirectly via a vent in the outer wall or via a duct from the outside that is connected to the connector on the underneath of the stove. The amount of air needed for combustion is 20 m<sup>3</sup>/h.

The connector (accessory) for the combustion air has an external diameter of 80 mm. When duct routing further than 1 m the pipe diameter must be increased to 100 mm and a correspondingly larger wall vent must be selected.

In hot areas, the duct should be insulated with 30 mm mineral wool with a moisture inhibiting outer cover. It is also important to seal around the hole in the wall (or floor) of the lead-in using sealant.

A 1 m length of condensation insulated ducting for combustion air is available as an accessory.

## Installation distances

## C130

The minimum distance in front of the stove opening to combustable parts of the building or interior decoration must be at least 1,2 m.

The dimension diagrams only show the minimum permitted installation distances for the stove. **The distances to combustable wall in the diagram is valid for twin wall flue only.** When connecting to a steel flue, also note the safety distance requirements of the flue. The safety distance between an uninsulated flue and a combustable part of the building should be at least 500 mm.

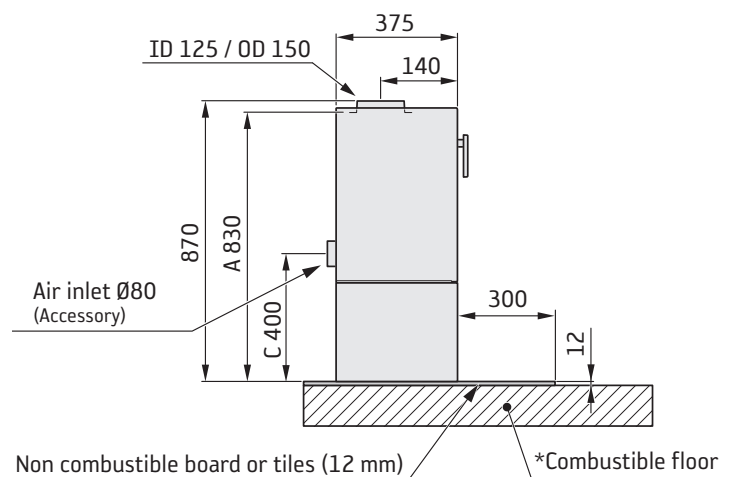
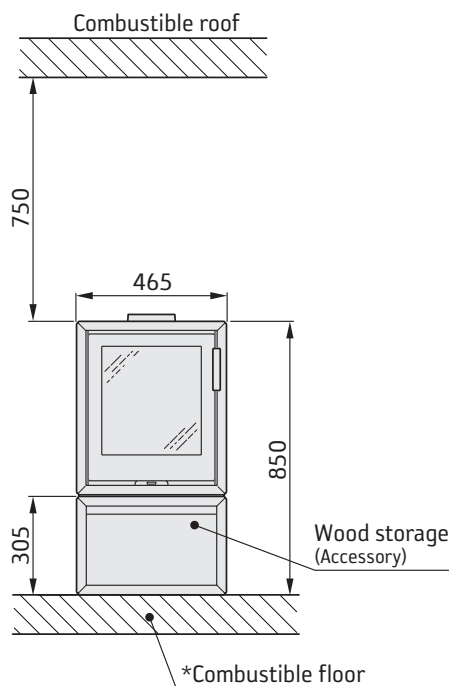
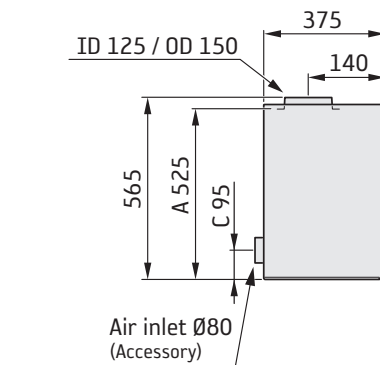
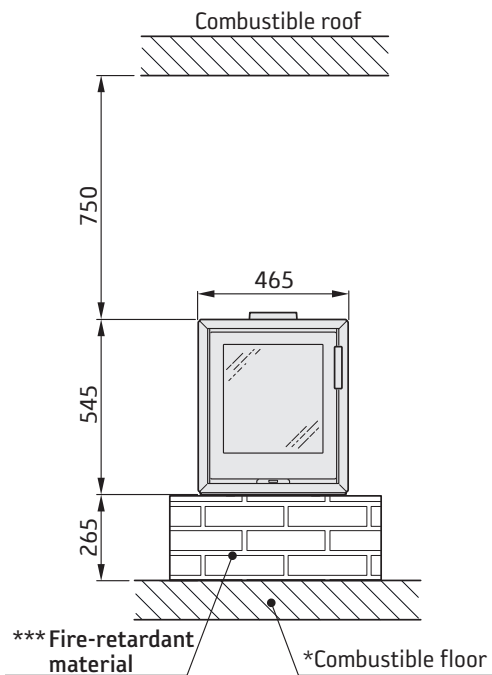
If the appliance will be placed on the floor it must stand on a constructional hearth which meet the building regulations. The constructional hearth must meet the minimum dimensions, 150 mm on each side and 500 mm in front of the appliance.

A = height to chimney connection upwards

C = height to air inlet

ID (Inner diameter)

OD (Outer diameter)



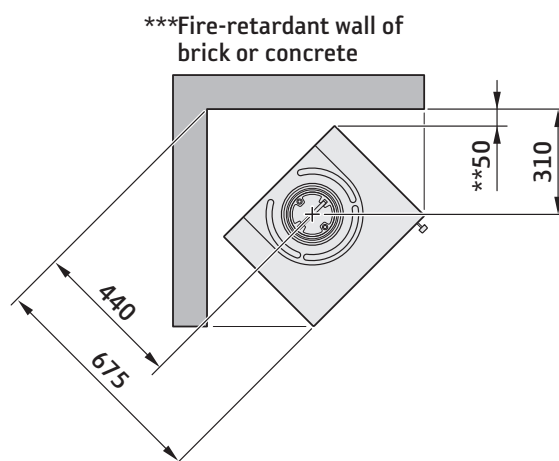
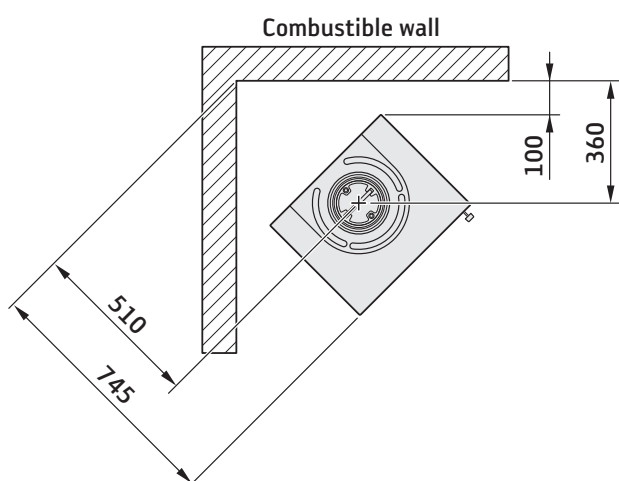
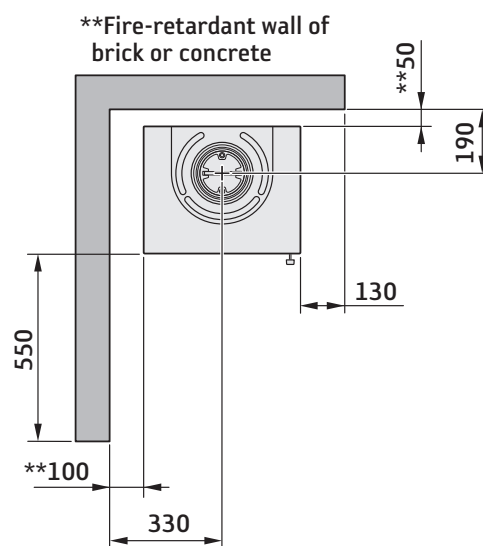
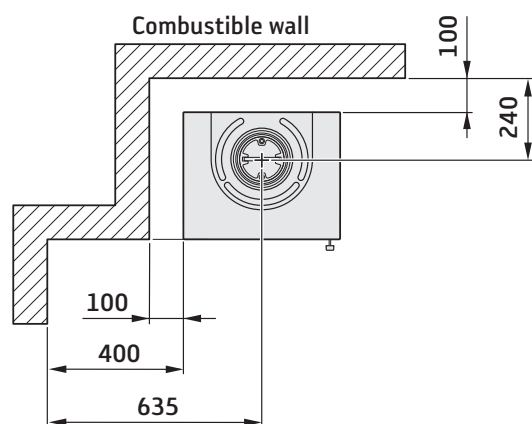
\* Protected with 12 mm non-combustible material according to Building regulations for England.

\*\* To prevent discolouration of painted non-flammable walls we recommend that the same side distance as to combustable walls is used.

\*\*\* Example of an approved material are solid bricks or 100 mm aerated concrete.

## Installation distances

C130



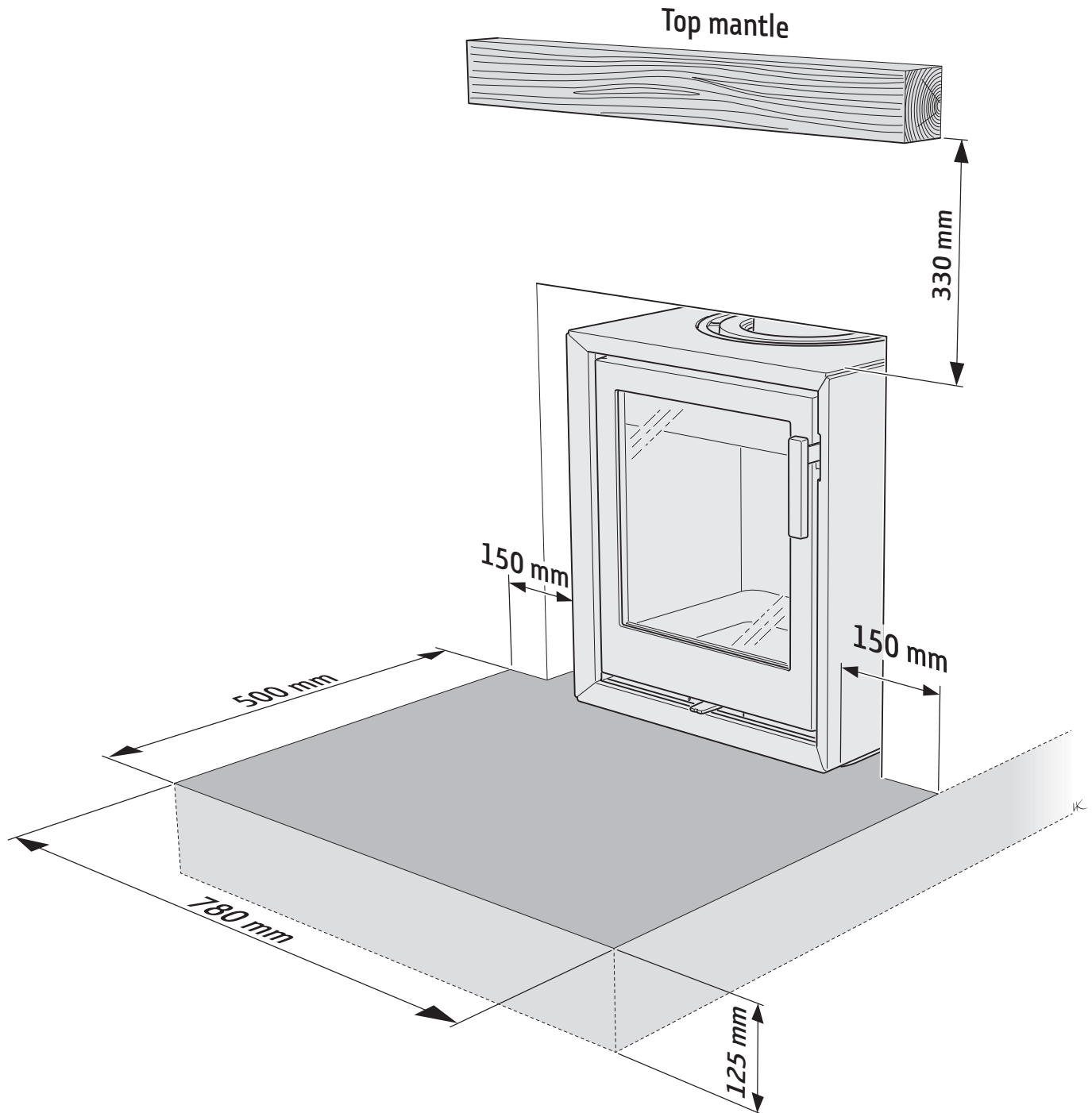
\* Protected with 12 mm non-combustible material according to Building regulations for England.

\*\* To prevent discolouration of painted non-flammable walls we recommend that the same side distance as to combustible walls is used.

\*\*\* Example of an approved material are solid bricks or 100 mm aerated concrete.

## When installed on a Constructional hearth

When the appliance is installed in a open fireplace or in a fireplace recess, it must stand on a constructional hearth which meet the building regulations and has minimum dimension as shown in the diagram. Always check that the building has enough bearing capacity for the heart, stove and chimney. The stove can be loaded with maximum 100 kg of chimney.



## Declaration of performance according to Regulation (EU) 305/2011

No. C130-UKCA-240201

# Contura

### PRODUCT

Type Wood burning insert  
Trade name Contura 130  
Intended area of use Heating of rooms in residential buildings  
Fuel Wood

### MANUFACTURER

Name Contura AB  
Address Box 134, Skulptörvägen 10  
SE-285 23 Markaryd, Sweden

### VERIFICATION

According to AVCP System 3  
European standard EN 13240:2001 / A2:2004 / AC:2007  
Test institute KIWA UK, NB 0692

### DECLARED PERFORMANCE

ESSENTIAL CHARACTERISTICS	PERFORMANCE	HARMONISED TECHNICAL SPECIFICATION
Fire safety	Pass	EN 13229:2001 / A2:2004 / AC:2007
Fire classification	A1	
Minimum distance to flammable materials	Rear: 100 mm Side: 100/400 mm Ceiling: 750 mm Front: 1200 mm Floor: 265 mm Corner: 100 mm	
Fire hazard due to burning fuel falling out	Pass	
Cleanability	Pass	
Emissions from combustion	CO: 1500 mg/ m <sup>3</sup> NOx: 200 mg/ m <sup>3</sup> OGC: 120 mg/ m <sup>3</sup> PM: 40 mg/ m <sup>3</sup>	
Surface temperatures	Pass	
Temperature on the handle	NPD	
Mechanical resistance	Pass	
Temperature in the space for wood storage	NPD	
Nominal output	5,0 kW	
Efficiency	80,7%	
Flue gas temperature at nominal output	260°C	
Flue gas temperature in flue spigot	312°C	

The undersigned is responsible for the manufacture and conformity with the declared performance.



**Niklas Gunnarsson**, Business area manager NIBE STOVES  
Markaryd, February 1, 2024



## EU Declaration of Conformity

Manufacturer	Contura AB
Address	Box 134, Skulptörvägen 10 285 23 Markaryd, Sweden
E-Mail	info@contura.se
Website	www.contura.eu
Telephone	+46 433 275100

# Contura

<b>THIS DECLARATION OF CONFORMITY IS ISSUED UNDER OUR SOLE RESPONSIBILITY FOR THE FOLLOWING PRODUCT:</b>							
Trade name		Contura 130					
Identification of product		www.contura.eu					
<b>THE OBJECT OF THE DECLARATION DESCRIBED ABOVE IS IN CONFORMITY WITH -</b>							
<b>THE RELEVANT UNION HARMONIZATION LEGISLATION:</b>				<b>THE RELEVANT HARMONIZED STANDARDS:</b>			
DIR 2009/125/EC		EN 13240:2001/A2:2004/AC:2007					
REG (EU) 2015/1185		CEN/TS 15883:2010					
REG (EU) 2015/1186							
REG (EU) 2017/1369							
REG (EU) 305/2011							
<b>TECHNICAL DOCUMENTATION</b>							
Energy efficiency class:		A+					
Direct heat output:		5,0 kW					
Indirect heating functionality:		No					
Energy Efficiency Index (EEI):		107,0					
Test report		KIWA UK, NB 0692					
FUEL	PREFERRED FUEL	OTHER SUITABLE FUEL	$\eta_s$ (%)	EMISSIONS AT NOMINAL HEAT OUTPUT			
				PM	OGC	CO	NO <sub>x</sub>
mg/ Nm <sup>3</sup> (13% O <sub>2</sub> )							
Wood logs with moisture content $\leq$ 25%	Yes	No	70,7	40	120	1500	200
Compressed wood with moisture content $<$ 12%	No	Yes	70,7	40	120	1500	200
Other woody biomass	No	No					
Non-wood biomass	No	No					
Anthracite and dry steam coal	No	No					
Hard coke	No	No					
Low temperature coke	No	No					
Bituminous coal	No	No					
Lignite briquettes	No	No					
Peat briquettes	No	No					
Blended fossil fuel briquettes	No	No					
Other fossil fuel	No	No					
Blended biomass and fossil fuel briquettes	No	No					
Other blend of biomass and solid fuel	No	No					
<b>CHARACTERISTICS WHEN OPERATING WITH THE PREFERRED FUEL</b>							
ITEM	SYMBOL	VALUE	UNIT	ITEM	SYMBOL	VALUE	UNIT
<b>HEAT OUTPUT</b>				<b>USEFUL EFFICIENCY, BASED ON NET CALORIFIC VALUE (NCV )</b>			
Nominal heat output:	$P_{nom}$	5,0	kW	Useful efficiency at nominal heat output	$\eta_{th,nom}$	80,7	%
<b>AUXILIARY ELECTRICITY CONSUMPTION</b>				<b>TYPE OF HEAT OUTPUT/ROOM TEMPERATURE CONTROL</b>			
At nominal heat output	$el_{max}$	-	kW	Single stage heat output, no room temperature control			Yes
At minimum heat output	$el_{min}$	-	kW	Two or more manual stages, no room temperature control			No
In standby mode	$el_{SB}$	-	kW	With mechanic thermostat room temperature control			No
				With electronic room temperature control			No
				With electronic room temperature control plus day timer			No
				With electronic room temperature control plus week timer			No
				<b>OTHER CONTROL OPTIONS</b>			
				Room temperature control, with presence detection			No
				Room temperature control, with open window detection			No
				With distance control option			
Specific precautions for assembly, installation, or maintenance.		Fire protection and safety distances to combustible building materials must be observed under all circumstances. A sufficient supply of combustion air must always be guaranteed. Air suction systems can interfere with the combustion air supply.					

The undersigned is responsible for the manufacture and conformity with the declared performance.



**Niklas Gunnarsson**, Business area manager NIBE STOVES  
Markaryd, February 1, 2024

**GB** Prior to installation

If the stove needs to be laid down for it to be moved, loose components should be removed. A description of how to remove hearth cladding can be found at the end of these instructions.

- 1 Fire bricks (Vermiculite)
- 2 Type plate
- 3 Hearth base
- 4 Serial number

**NO** Før montering

Hvis ovnen må legges ned for å flyttes, bør løse deler demonteres. Demontering av ildstedsbekledning er beskrevet til slutt i denne veiledningen.

- 1 Brennplater og hvelv (Vermikulitt)
- 2 Typeskilt
- 3 Ildstedsbunn
- 4 Serienummer

**SE** Montering

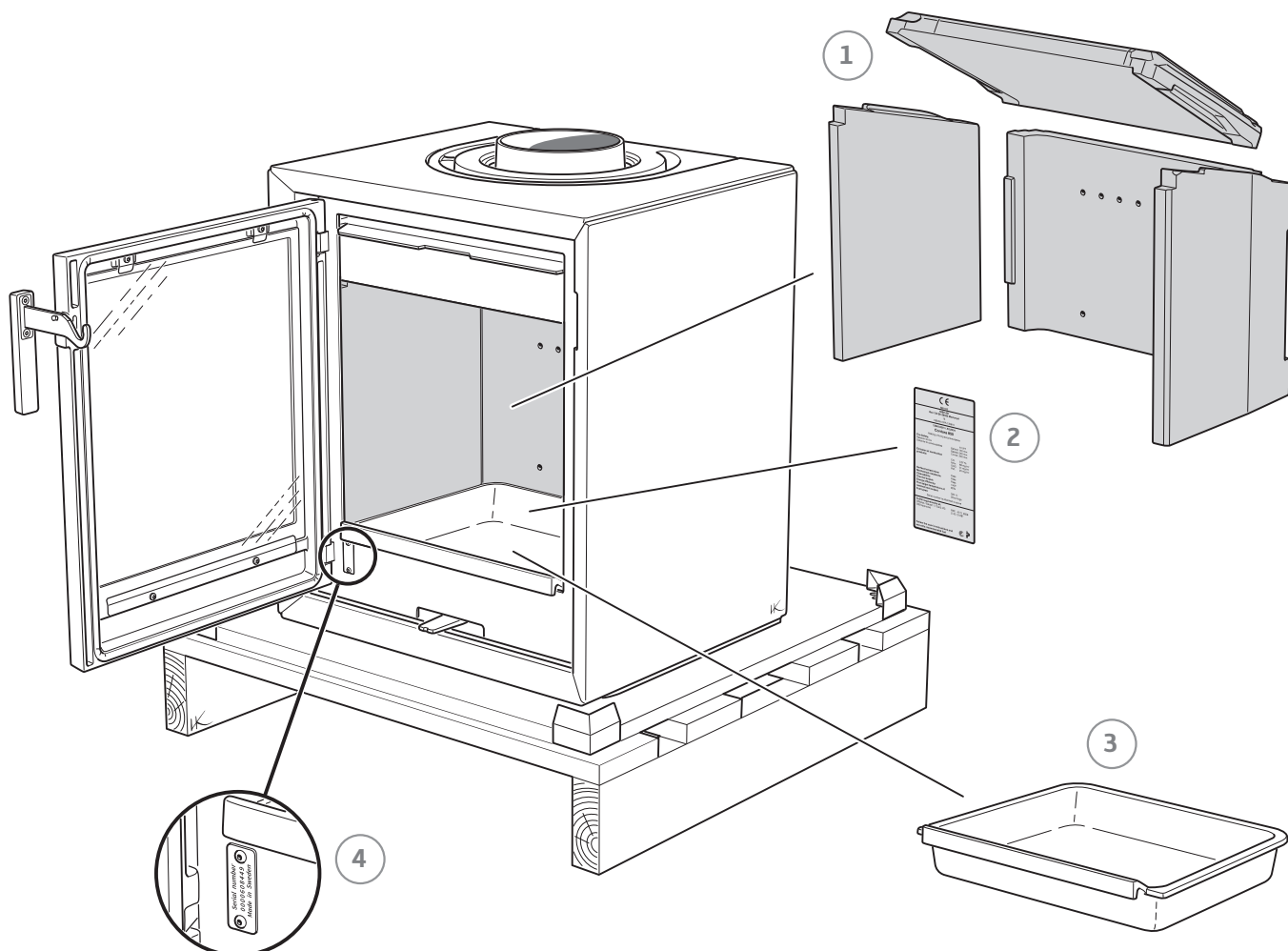
Om kaminen behöver läggas ned för att förflyttas bör lösa delar demonteras. Demontering av eldstadsbeklädnad beskrivs i slutet av denna anvisning.

- 1 Eldstadsbeklädnad (Vermiculit)
- 2 Typskylt
- 3 Eldstadsbotten
- 4 Serienummer

**DK** Montering

Hvis brændeovnen skal lægges ned for at blive flyttet, bør løse dele afmonteres. Afmontering af ovnbeklædning beskrives i slutningen af denne vejledning.

- 1 Ovnbeklædning (Vermiculite)
- 2 Typeskilt
- 3 Ovnbund
- 4 Serienummer







**GB** Top connection to the chimney

The hot air grille must be installed before chimney top connection.

**SE** Toppanslutning till skorsten

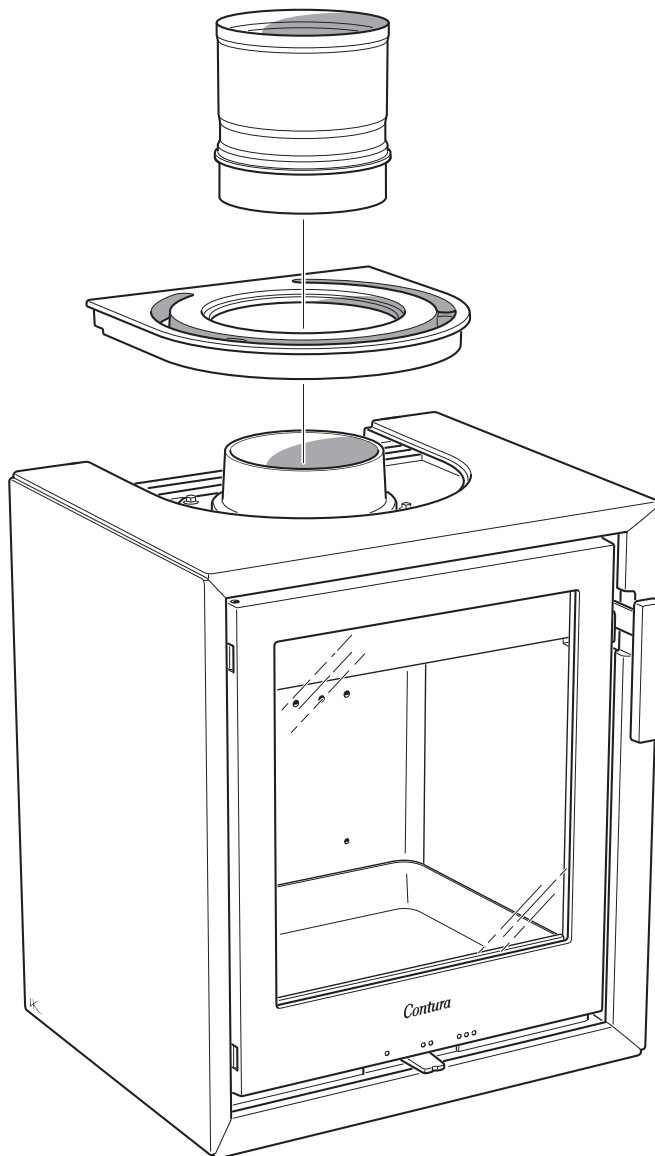
Varmluftsgallret måste vara monterat innan skorstenen toppansluts.

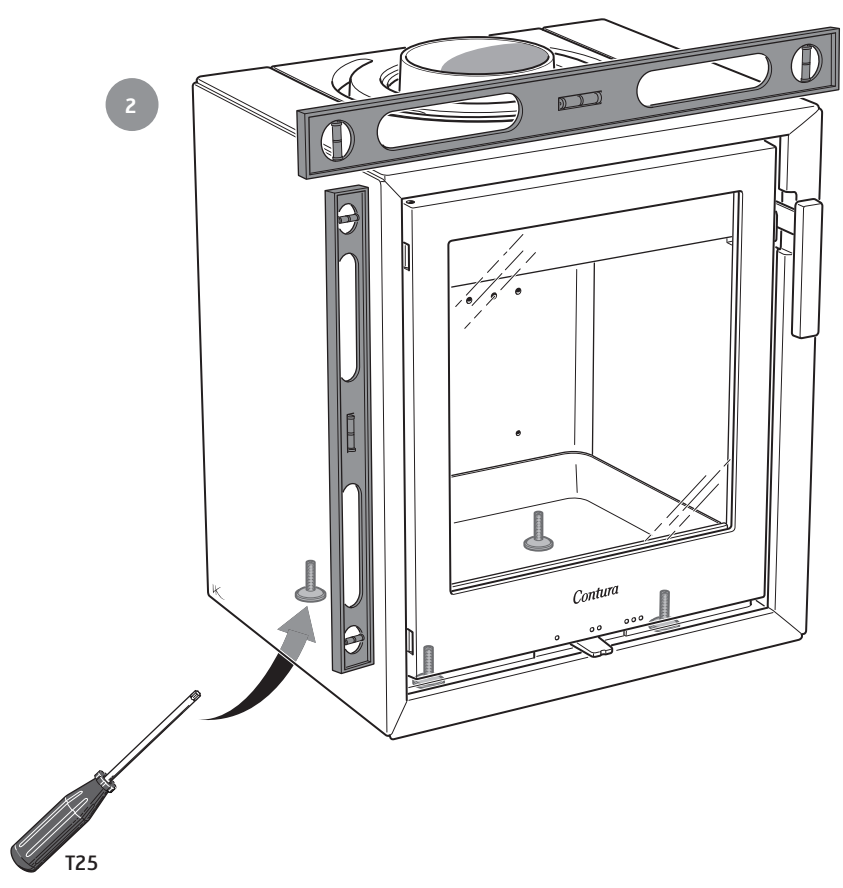
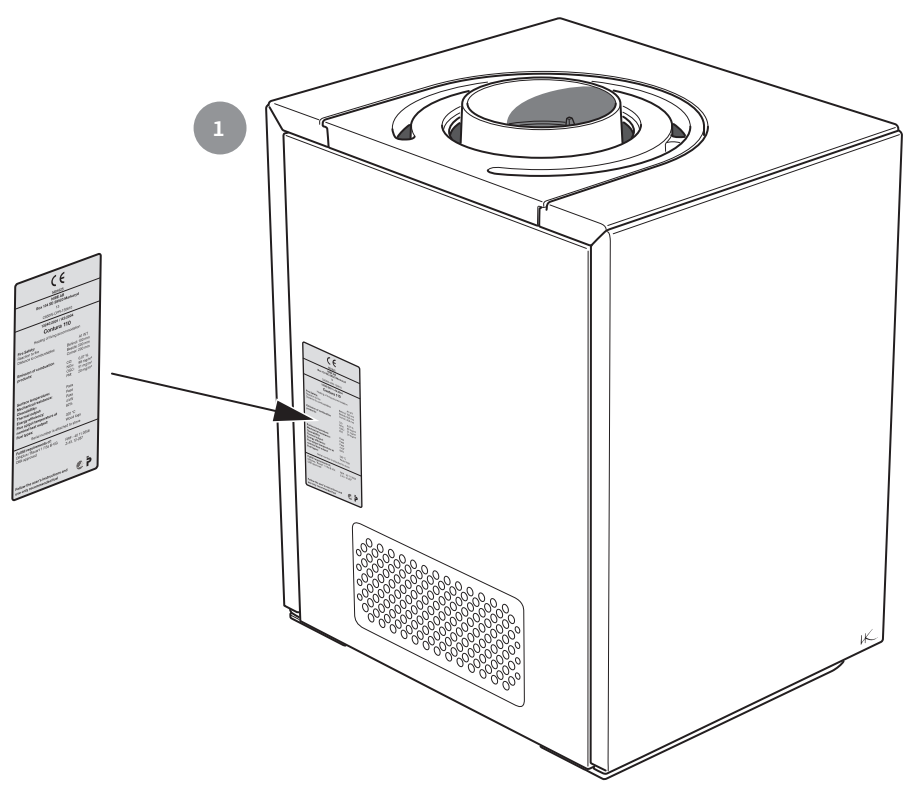
**NO** Toppmontering til skorstein

Varmluftsgitteret må være montert før skorsteinen toptilkobles.

**DK** Toptilslutning til skorsten

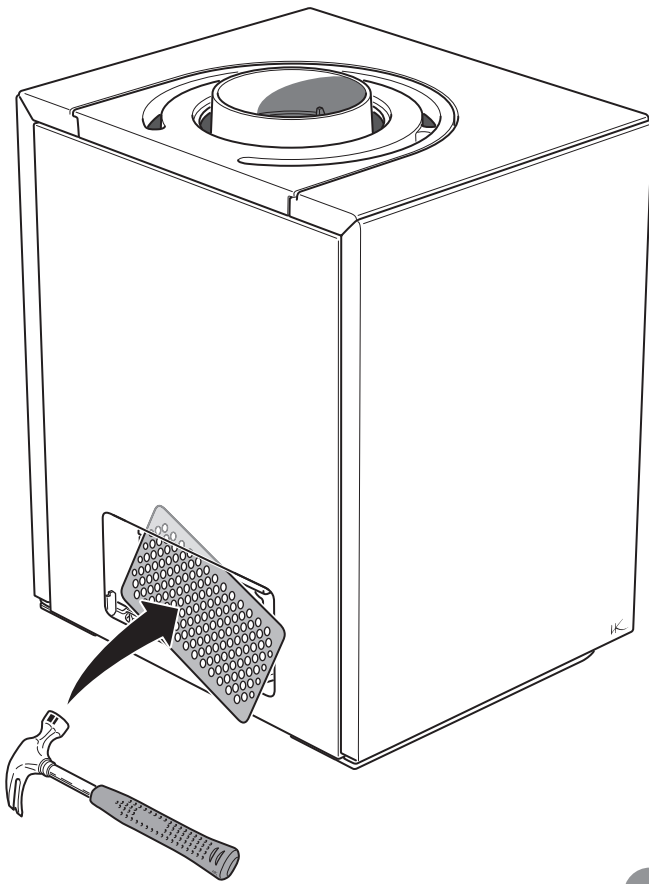
Varmluftristen skal være monteret, før skorstenen toptilsluttes.







1



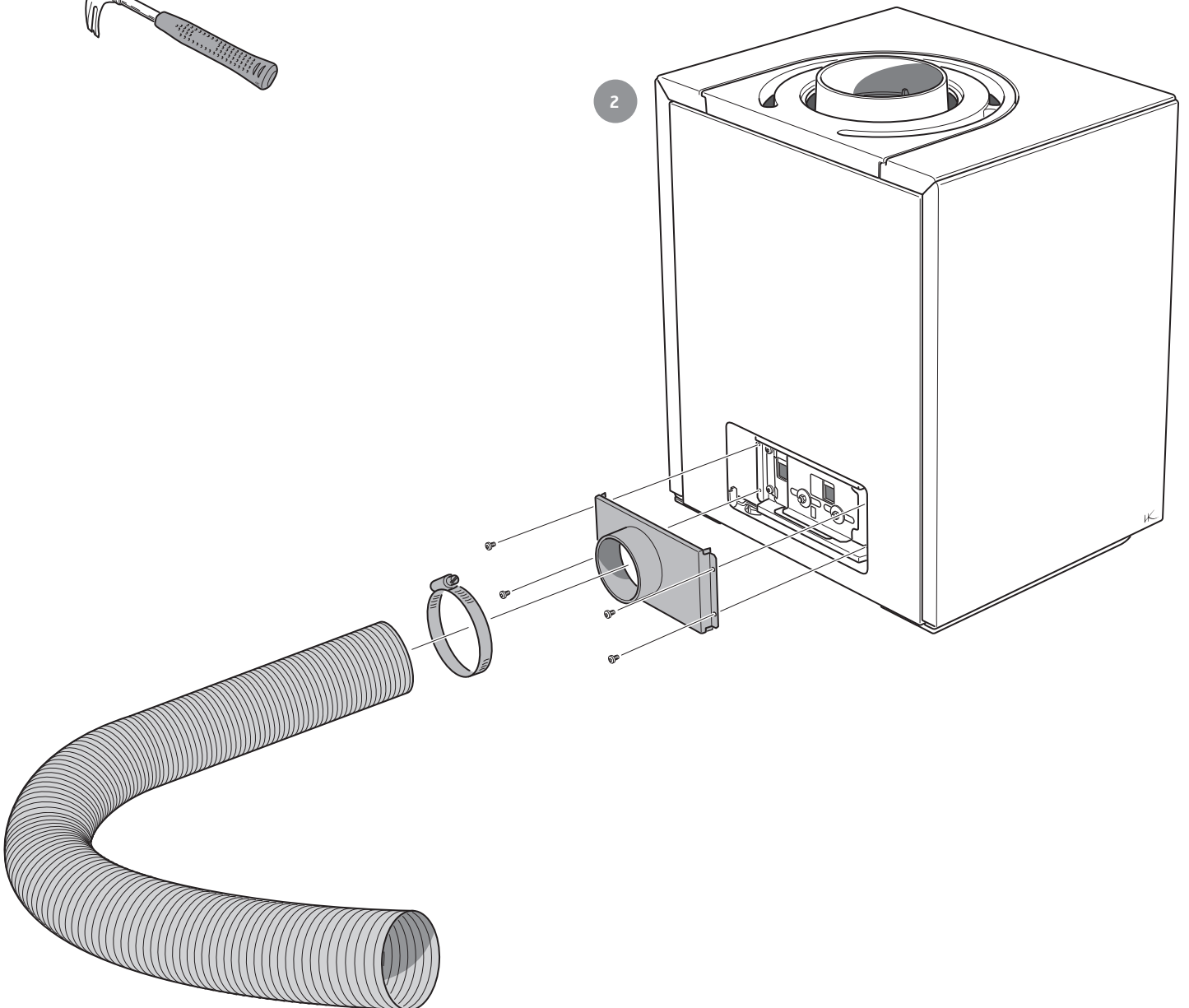
GB Supply  
Accessories: Air inlet

SE Tilluft  
Tillbehör: Tilluftsstos

NO Tilluft  
Tilbehør: Tilluftsstuss

DK Forbrændingsluft  
Ekstraudstyr: Friskluftstuds

2





- GB How to remove the hearth surround (Vermiculite)
- SE Demontera eldstadsbeklädnaden (Vermiculit)
- NO Slik demonterer du ildstedsbekledningen (Vermikulitt)
- DK Sådan afmonterer du ovnbeklædningen (Vermiculite)

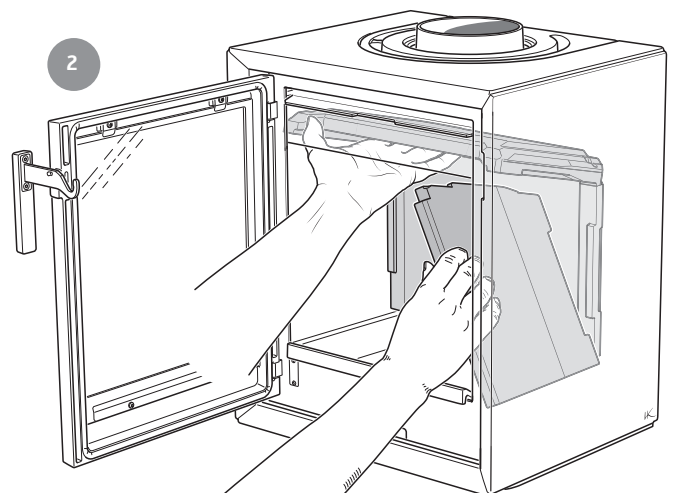
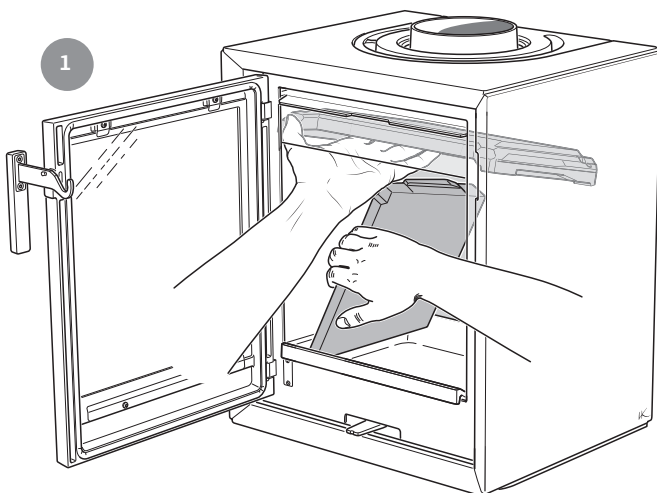


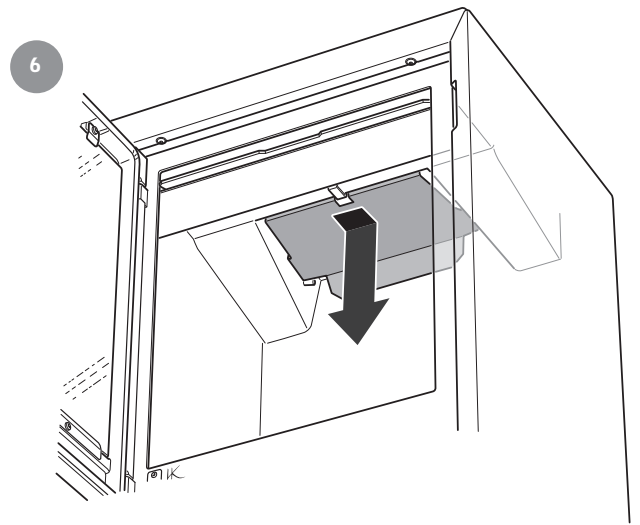
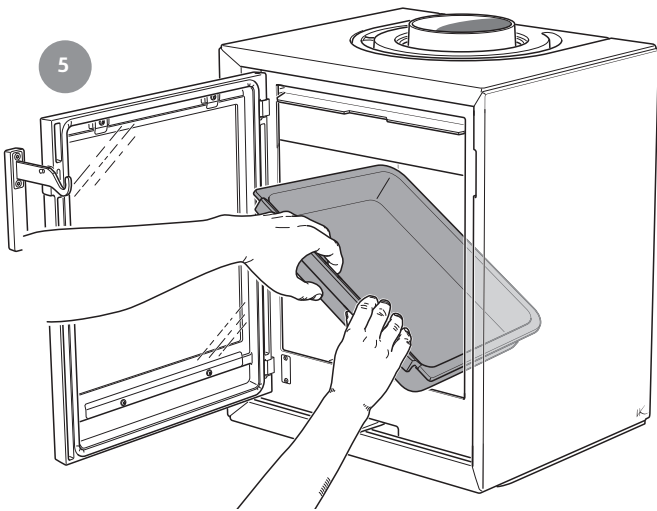
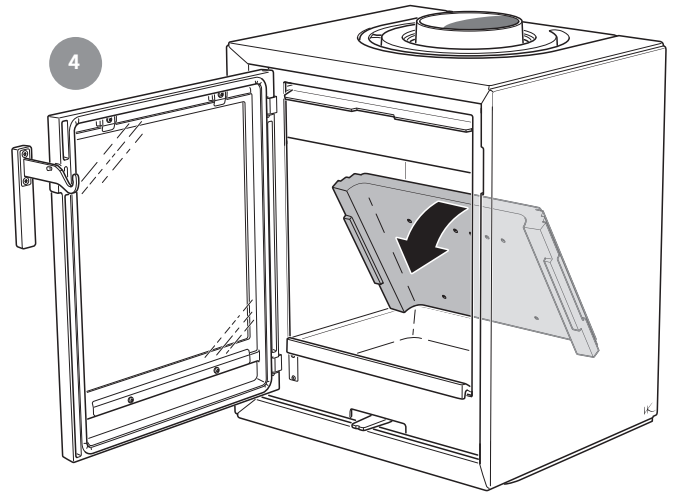
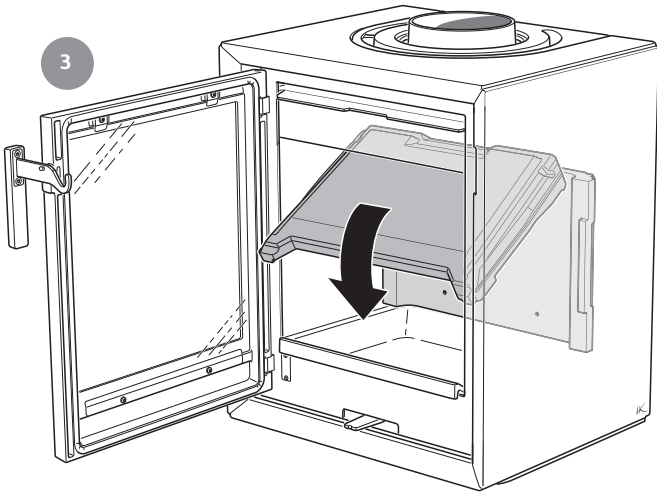
GB **Handle with care!**

SE **Hanteras varsamt!**

NO **Behandles forsiktig!**

DK **Håndter med forsigtighed!**







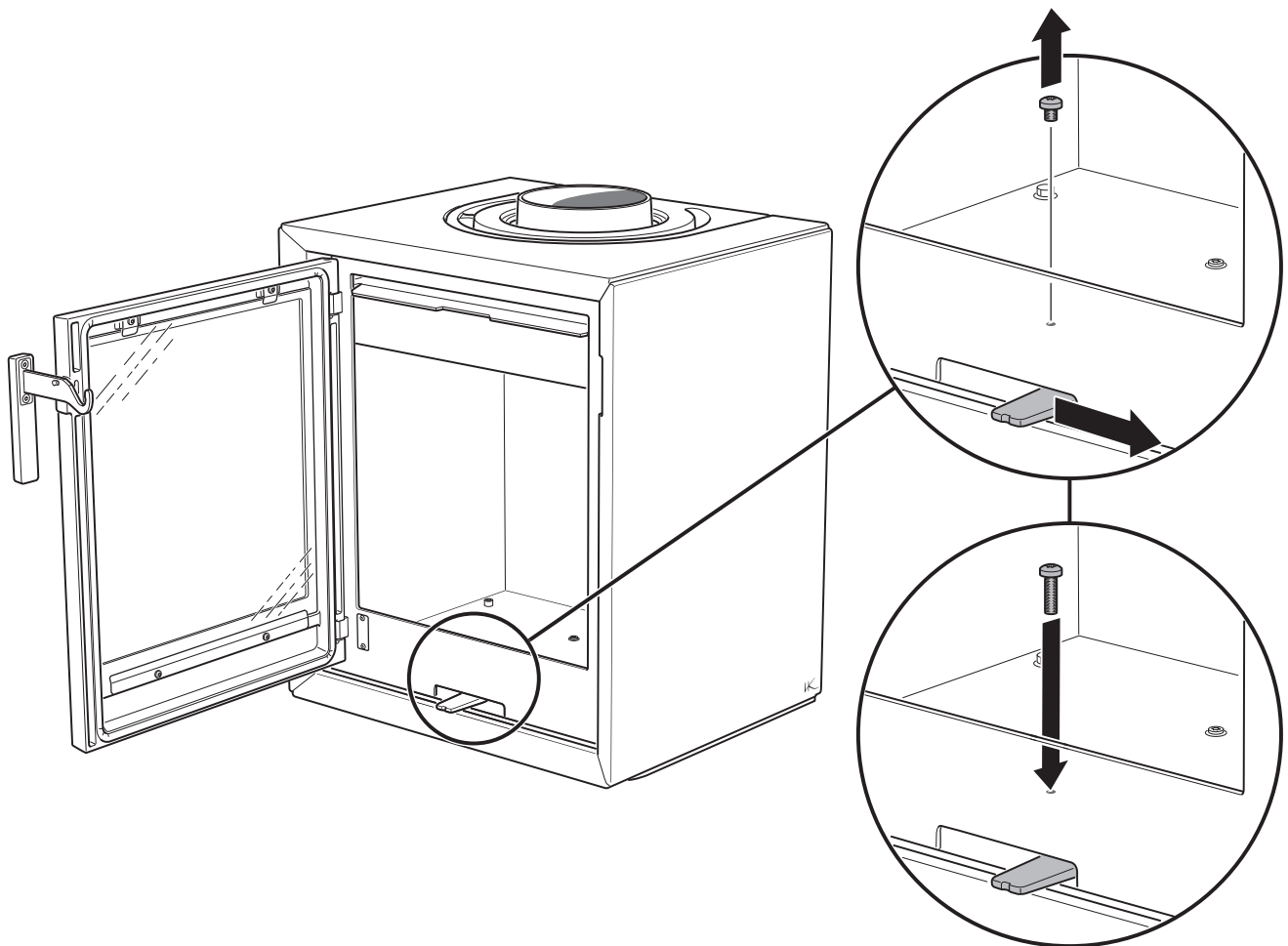
## For installation in the UK and in smoke control areas

### Mandatory for smoke control areas

Contura 130, 5 kW woodburning stoves has been recommended as suitable for use in smoke control areas. This when burning wood logs and operated in accordance with these instructions and when fitted with a permanent stop to prevent closure of the air control unit beyond 40% open position.

Note: When refueling - open the air control fully for 3-5 minutes before closing down to the minimum air setting.

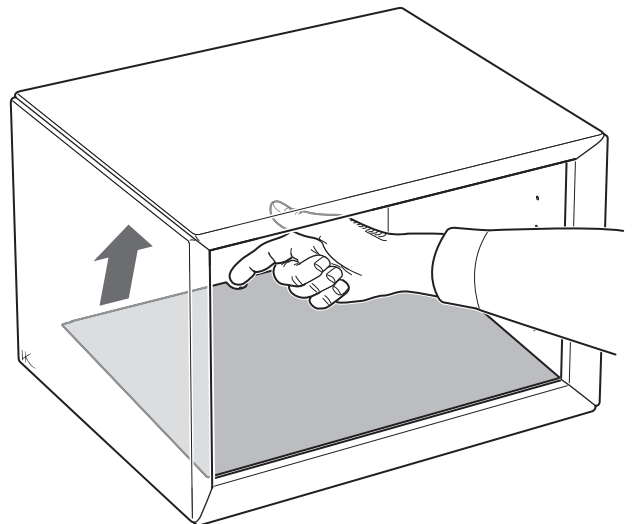
The permanent stop must be installed if the appliance is to be used in a smoke control area, this stop must not be removed in smoke control areas, otherwise an offence will be committed if the appliance is used without the permanent stop in place.



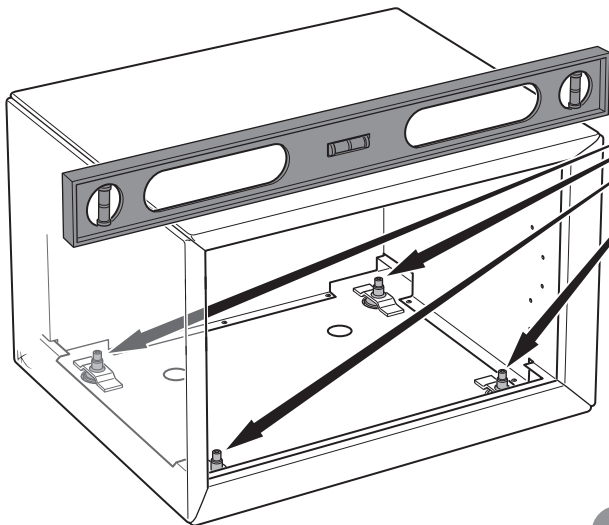


- GB Positioning the log box (Accessory)
- SE Placering av vedfack (Tillbehör)
- NO Plassering av vedrom (Tilbehør)
- DK Placering på brænderum (Ekstraudstyr)

1



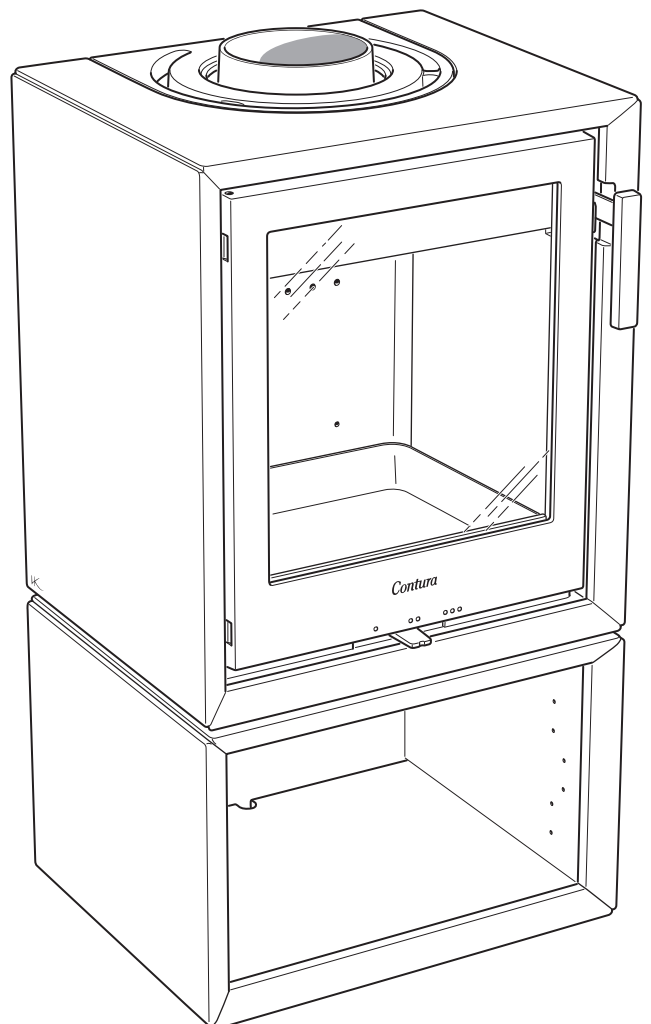
2

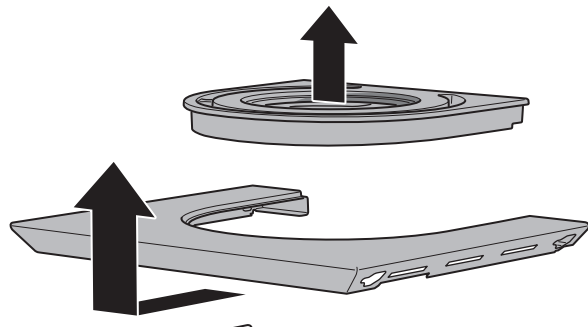


Allen key 4

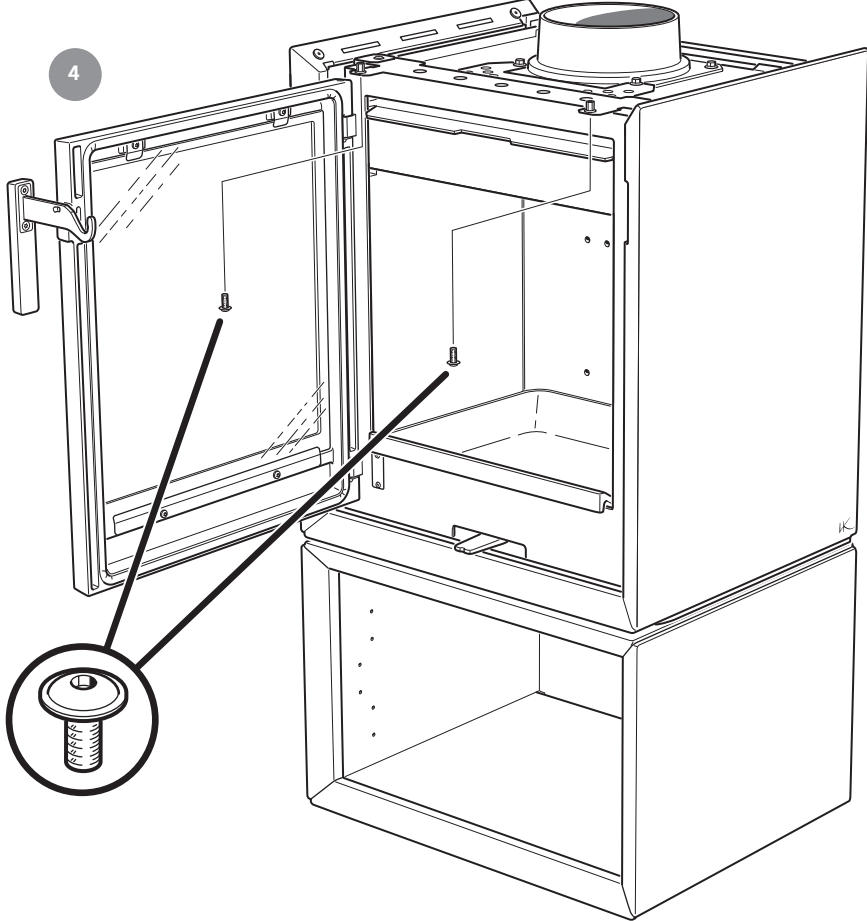


3

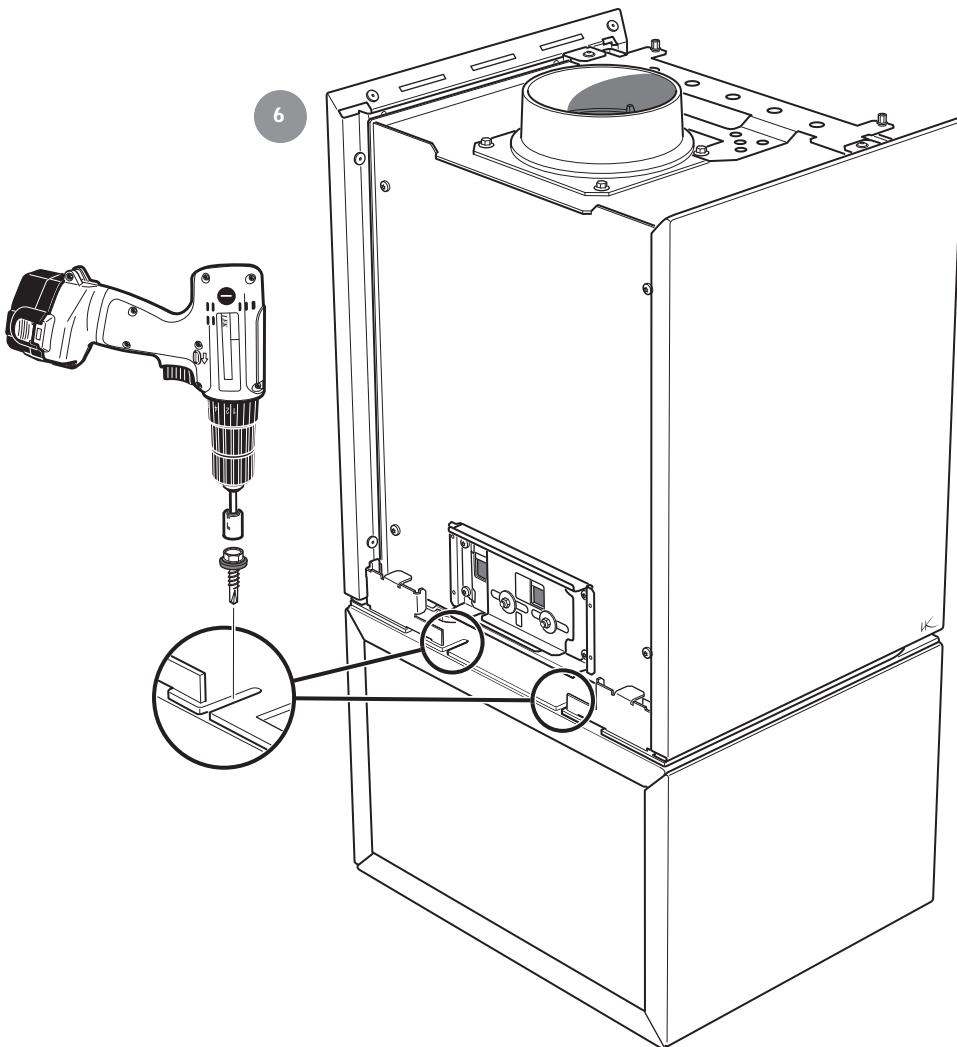
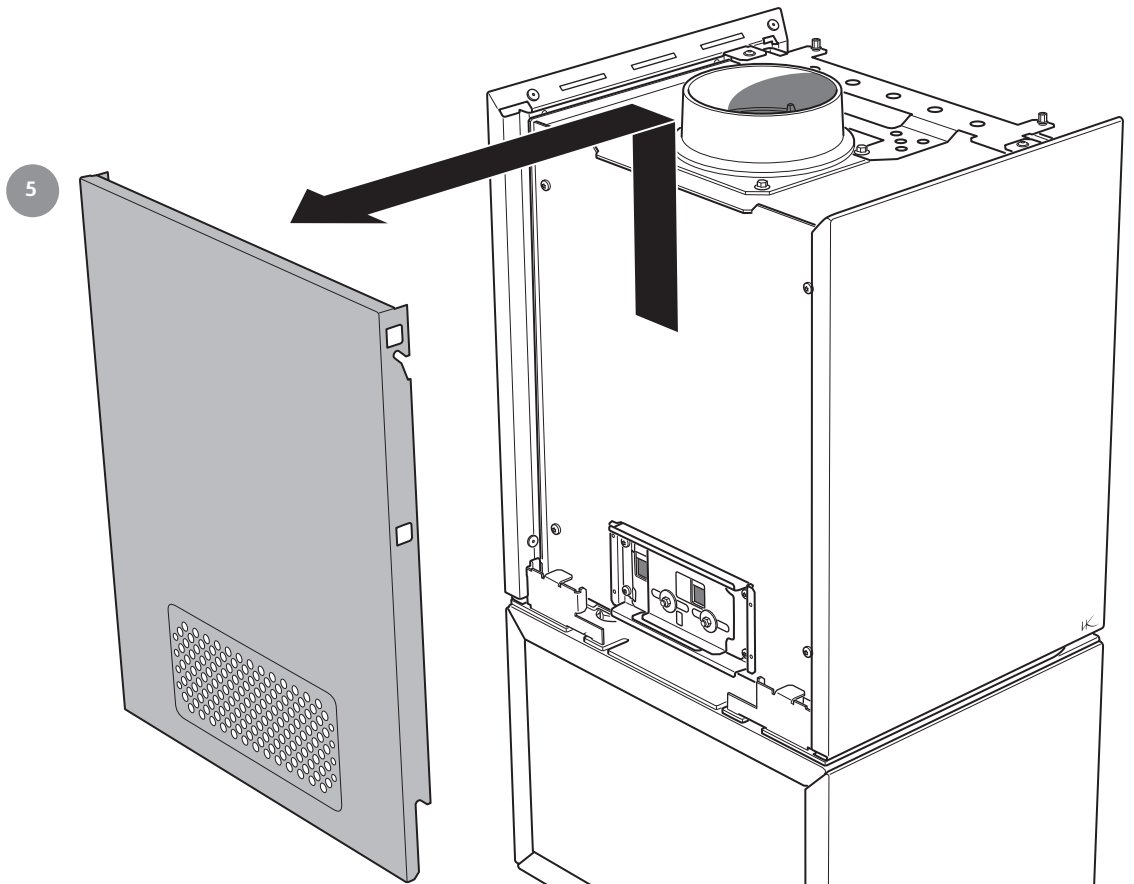




4



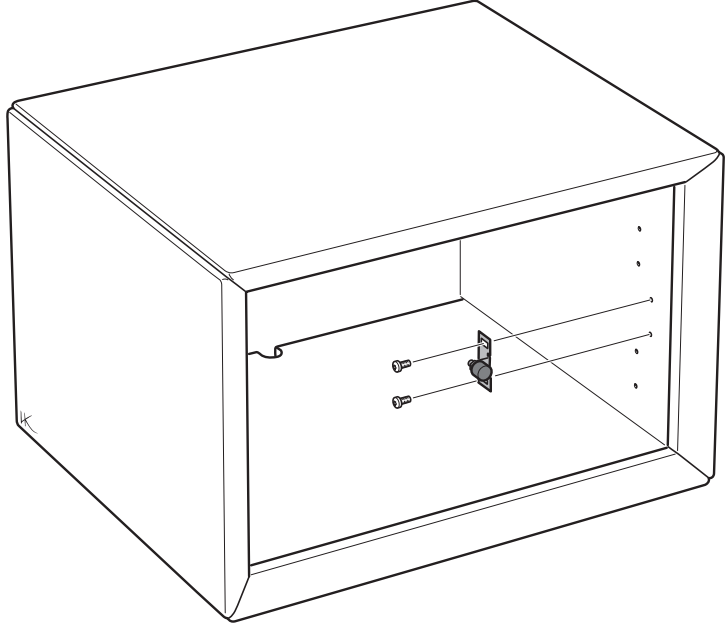






- GB Installing the bottom door (Accessory)
- SE Montering av nedre dörr (Tillbehör)
- NO Montering av nedre dør (Tilbehør)
- DK Montering af nederste dør (Ekstraudstyr)

1



2

